

## Model

Designation	<b>SC18G</b>	<b>220-240V/50Hz 1~</b>	<b>220-240V/60Hz 1~</b>	Sales code:	<b>104G8830</b>
-------------	--------------	-------------------------	-------------------------	-------------	-----------------

## Compressor design

Oil type	Polyolester	Refrigerant(s)	<b>R134a</b>
Oil viscosity	22cST	Displacement	17,69cm <sup>3</sup> / 1,08cu.in
Oil quantity	500cm <sup>3</sup> / 16,9fl.oz	Compressors on pallet	80
Refr. charge - tech. limit	1300g / 45,9oz		
Free gas volume comp.	1460cm <sup>3</sup> / 49,4fl.oz		
Weight	13,5kg / 29,8lbs		
Motor protection	1# internal		
Winding resistance main	3,7Ω (at 25°C)		
Winding resistance aux	14Ω (at 25°C)		
Max. winding temp.	125°C / 257°F		
Max. discharge temp.	135°C / 275°F		



## General - Configurations with SC18G

	<b>Conf. 1</b>	<b>Conf. 2</b>
Motorconfiguration	CSIR	CSIR
Power supply (nominal)	220-240V/50Hz	208-230V/60Hz
Number of phases	1	1
Voltage range	187-254V	198-254V
Approvals	CCC, VDE, UL	CCC, VDE, UL
Starting torque	HST	HST
Note	Compressor with oil cooler.	

## Applications with SC18G

	<b>Conf. 1</b>	<b>Conf. 2</b>
Refrigerant	R134a	R134a
Application	LBP+MBP+HBP	LBP
System cooling	oil cooled	oil cooled
Hot gas defrost	OK	OK
Long interval pull down	OK	OK

## Electrical data - Configurations with SC18G

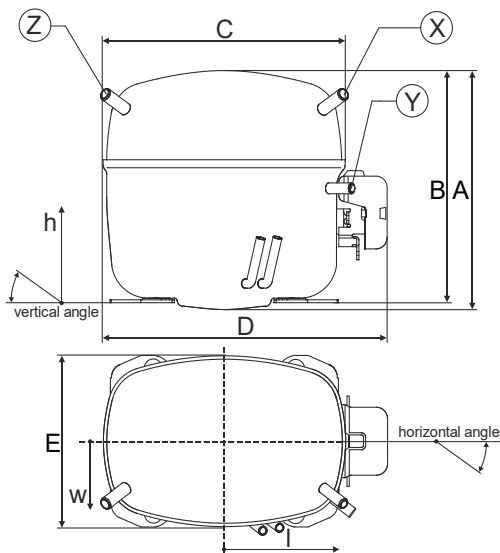
	<b>Conf. 1</b>	<b>Conf. 2</b>
Starting device type	relay	relay
Run capacitor	-/-	-/-
Start capacitor	80μF	80μF
LRA (locked rotor amps / 4s)		
RLA (rated load amps / 1s)	-/-A	-/-A
Cut in current		

## Model

Designation **SC18G** 220-240V/50Hz 1~ 220-240V/60Hz 1~ Sales code: **104G8830**

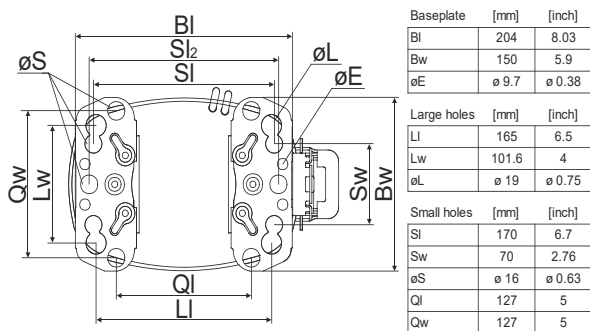
## Compressor dimensions

<b>Housing</b>	A Height	219mm / 8,62in
	B Height	213mm / 8,39in
	C Length shell	218mm / 8,58in
	D Length w. cover	255mm / 10,04in
	E Width	151mm / 5,94in

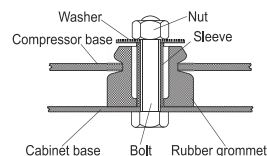


Connectors	Suction		Discharge		Process	
	X		Y		Z	
Diameter [mm]	øi 10,11-10,29		øi 6,11-6,29		øi 6,11-6,29	
(i:inside, o:outside) [in]	øi 0,4-0,41		øi 0,24-0,25		øi 0,24-0,25	
Material	copper		copper		copper	
Horizontal angle ±2°	37°		37°		143°	
Vertical angle ±2°	30°		0°		150°	
Position l/h/w [mm]	107/193/55		115/110/63		-107/193/55	
[in]	4,2/7,6/2,2		4,5/4,3/2,5		-4,2/7,6/2,2	
Straight tube l.	[mm]		12		12	
	[in]		0,5		0,5	

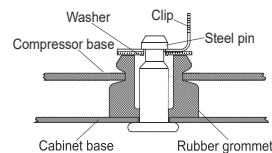
## Compressor fixation



### Bolt joint



### Snap-on



Mounting accessories	one comp.	multi pack
Bolt joint   M6   ø16mm	118-1917	118-1918
Bolt joint   ø1/4"   ø16mm	118-1946	
Bolt joint   ø1/4"   ø19mm	118-1949	
Snap-on   ø7,3   ø16mm	118-1947	118-1919

## Application notes

Provision for PE Grounding is located at the PE Stamp on the compressor

LRA value on compressor label and datasheet may differ due to different test conditions for UL approval.

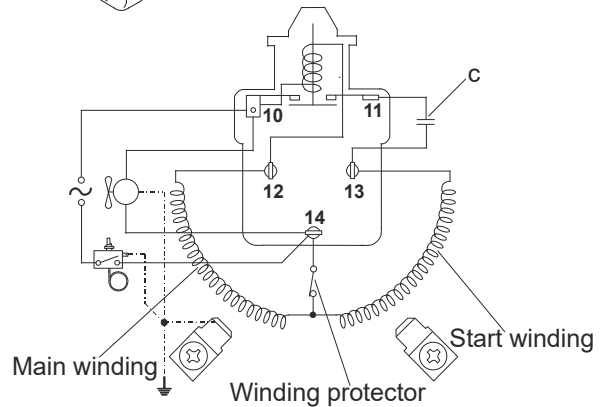
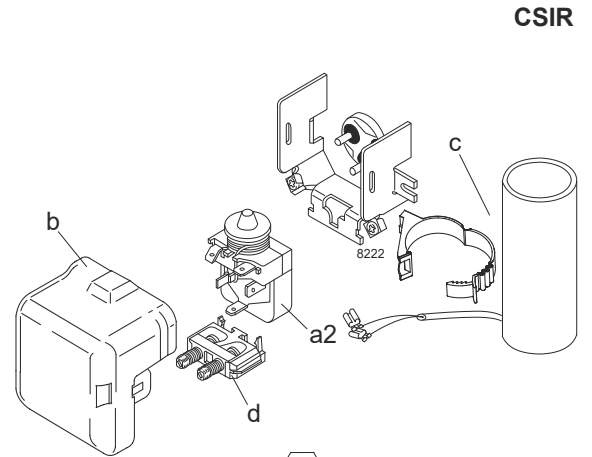
## Model

Designation	<b>SC18G</b>	<b>220-240V/50Hz</b>	Conf. 1	Sales code:	<b>104G8830</b>
-------------	--------------	----------------------	---------	-------------	-----------------

## Configuration

Motorconfiguration	CSIR
Power supply (nominal)	220-240V/50Hz 1~
Refrigerant	R134a
Application	LBP+MBP+HBP
Voltage range	187-254V
Starting torque	HST
Approvals	CCC
	VDE
	UL

## Electrical accessories / wiring diagram



## Ambient/ machine room temperatures minimum /maximum

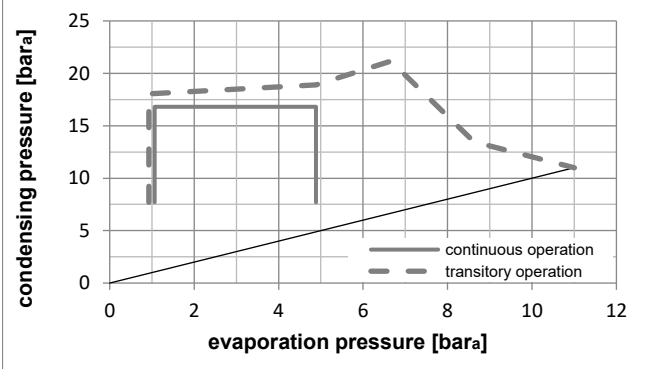
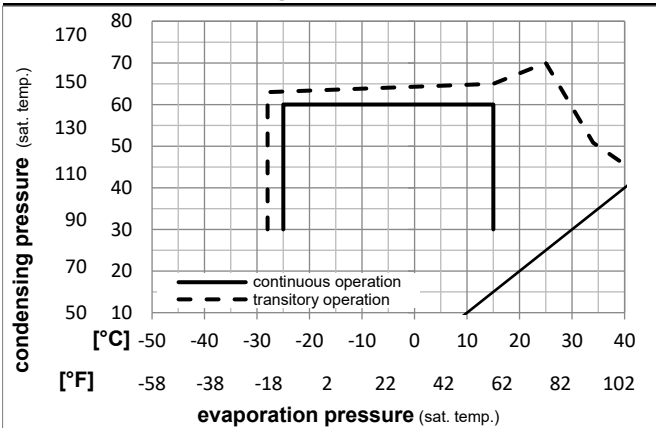
Ambient temperature range: 10 - 43°C / 50 - 110°F

Machine room temperature range: 10 - 48°C / 50 - 119°F

Compressor cooling: fan 3m/s

## Operation Limits

### Operation pressure range



### Components

a2	relay	117U6019
c	start capacitor (80µF)	117U5017
d	cord relief	103N1004
b	plastic cover	103N2009

## Model

Designation	<b>SC18G</b>	<b>220-240V/50Hz</b>	Conf. 1	Sales code:	<b>104G8830</b>
-------------	--------------	----------------------	---------	-------------	-----------------

## Optimization + standard conditions

R134a, 220V/50Hz, CSIR, fan 3m/s, CCC, VDE, UL

	Evaporating pressure (saturation temperature)				Condensing pressure (saturation temperature)			COP	EER	Cooling capacity	Power consumption		Ref. mass flow	ASHRAE
	pe	pc	RGT	Tliq	[W]	[Btu/h]	[kcal/h]				P1	I		
	[°C]	[°F]	[°C]	[°F]	[W]	[Btu/h]	[kcal/h]	[W/W]	[Btu/Wh]	[kcal/Wh]	[W]	[A]	[kg/h]	
	-23	54	32	32	396,4	1354	341,2	1,13	3,87	0,97	350,1	2,61	7,70	ASHRAE LBP
	-10	130	90	90										
	-7	54	35	46	894,7	3055	770,0	1,58	5,41	1,36	565,2	3,17	19,52	ASHRAE MBP
	20	130	95	115										
	7,2	54	35	46	1613,1	5509	1388,3	2,21	7,55	1,90	729,8	3,82	35,79	ASHRAE HBP
	45	130	95	115										
	-35	40	20	40	146,0	499	125,7	0,67	2,30	0,58	217,1	2,26	3,20	EN12900 LBP
	-31	104	68	104										
	-10	45	20	45	763,6	2608	657,2	1,54	5,27	1,33	495,2	2,91	17,87	EN12900 MBP
	14	113	68	113										
	5	50	20	50	1359,1	4642	1169,7	2,03	6,92	1,74	670,4	3,58	34,25	EN12900 HBP
	41	122	68	122										

## Performance tables

R134a, 220V/50Hz, CSIR, fan 3m/s, CCC, VDE, UL

	pe		Cooling capacity			COP	EER		P1	I	m
	[°C]	[°F]	[W]	[Btu/h]	[kcal/h]		[Btu/Wh]	[kcal/Wh]			
[°C / °F]	-25	-13	332,6	1136	286,2	1,00	3,42	0,86	332,4	2,51	7,21
cond. pressure	-20	-4	462,8	1581	398,3	1,18	4,04	1,02	390,9	2,64	10,05
pc= 45/113	-10	14	792,2	2706	681,8	1,60	5,46	1,38	495,2	2,91	17,34
return gas temp.	-5	23	997,8	3408	858,7	1,84	6,27	1,58	543,4	3,07	21,94
RGT= 32/90	0	32	1235,0	4218	1062,8	2,09	7,14	1,80	590,3	3,25	27,31
liquid temp	5	41	1506,8	5146	1296,8	2,36	8,08	2,03	637,3	3,46	33,55
Tliq= 45/113	15	59	2167,5	7402	1865,3	2,95	10,06	2,54	735,6	4,00	49,09
[°C / °F]	-25	-13	285,6	975	245,8	0,88	2,99	0,75	325,8	2,56	6,83
cond. pressure	-20	-4	398,5	1361	343,0	1,00	3,43	0,86	397,0	2,72	9,56
pc= 55/131	-10	14	689,1	2353	593,1	1,31	4,47	1,13	526,8	3,05	16,66
return gas temp	-5	23	873,2	2982	751,5	1,49	5,07	1,28	587,8	3,24	21,23
RGT= 32/90	0	32	1087,4	3714	935,8	1,68	5,73	1,44	647,7	3,46	26,60
liquid temp	5	41	1334,8	4559	1148,8	1,89	6,44	1,62	707,6	3,71	32,89
Tliq= 55/131	15	59	1942,4	6634	1671,7	2,33	7,97	2,01	832,0	4,34	48,79

## Model

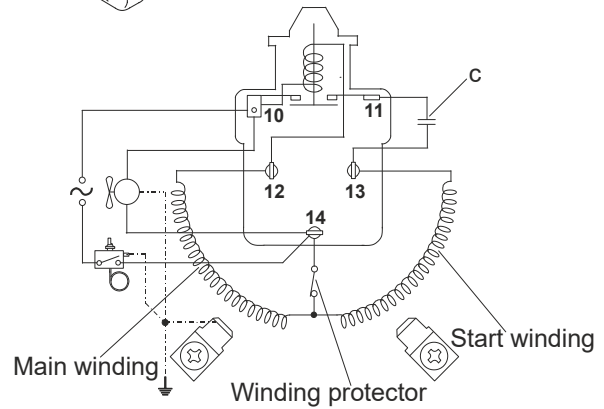
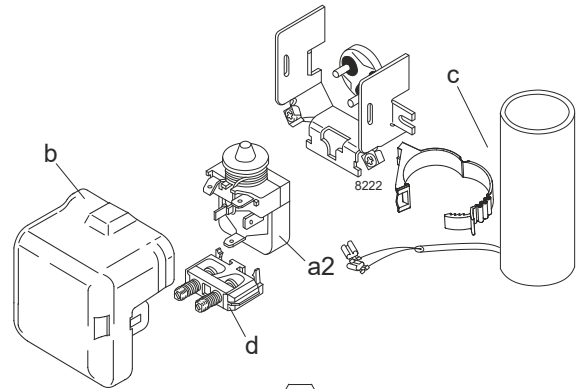
Designation	<b>SC18G</b>	<b>208-230V/60Hz</b>	Conf. 2	Sales code:	<b>104G8830</b>
-------------	--------------	----------------------	---------	-------------	-----------------

## Configuration

Motorconfiguration	CSIR
Power supply (nominal)	208-230V/60Hz 1~
Refrigerant	R134a
Application	LBP
Voltage range	198-254V
Starting torque	HST
Approvals	CCC
	VDE
	UL

## Electrical accessories / wiring diagram

CSIR



## Ambient/ machine room temperatures minimum /maximum

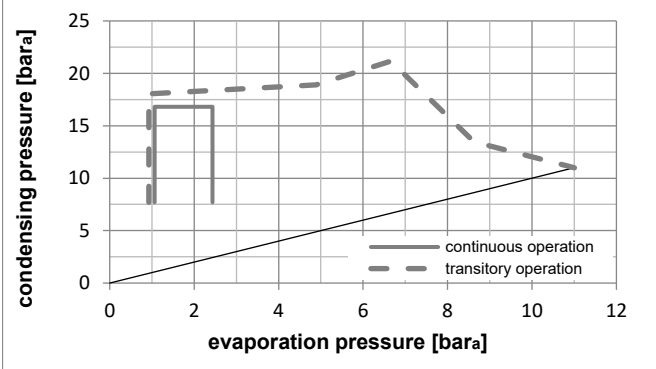
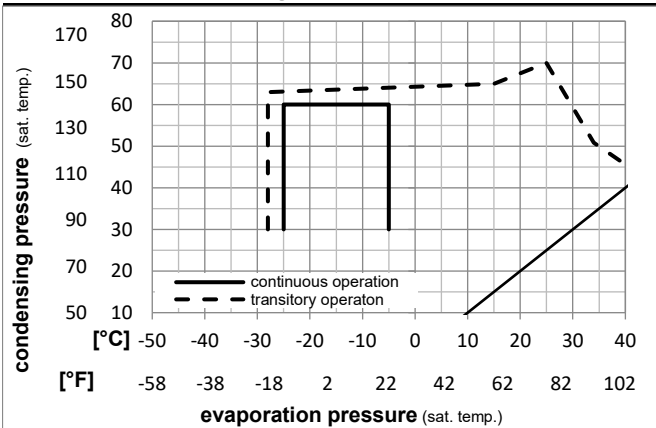
Ambient temperature range: 10 - 43°C / 50 - 110°F

Machine room temperature range: 10 - 48°C / 50 - 119°F

Compressor cooling: fan 1,5m/s

## Operation Limits

### Operation pressure range



### Components

a2	relay	117U6019
c	start capacitor (80µF)	117U5017
d	cord relief	103N1004
b	plastic cover	103N2009

### Model

Designation	<b>SC18G</b>	<b>208-230V/60Hz</b>	<b>Conf. 2</b>	Sales code:	<b>104G8830</b>
-------------	--------------	----------------------	----------------	-------------	-----------------

### Optimization + standard conditions

R134a, 230V/60Hz, CSIR, fan 1,5m/s, CCC, VDE, UL

		Evaporating pressure (saturation temperature)				Condensing pressure (saturation temperature)						Power consumption			
		Return gas temp.		Liquid temp.		Cooling capacity		COP	EER		P1	I	Ref. mass flow		
		pe	pc	RGT	Tliq	[W]	[Btu/h]	[kcal/h]	[W/W]	[Btu/Wh]	[kcal/Wh]	[W]	[A]	[kg/h]	
[°C]	-23	54	32	32	467,3	1596	402,2	1,13	3,86	0,97	413,1	3,09	9,07	ASHRAE LBP	
[°F]	-10	130	90	90											
[°C]	-7	54	35	46	1046,2	3573	900,4	1,58	5,41	1,36	660,6	3,69	22,83	ASHRAE MBP	
[°F]	20	130	95	115											
[°C]	7,2	54	35	46	1879,2	6418	1617,2	2,21	7,54	1,90	851,1	4,46	41,69	ASHRAE HBP	
[°F]	45	130	95	115											
[°C]	-35	40	20	40	185,4	633	159,5	0,68	2,31	0,58	274,4	2,85	4,07	EN12900 LBP	
[°F]	-31	104	68	104											
[°C]	-10	45	20	45	893,1	3050	768,6	1,54	5,27	1,33	578,6	3,40	20,91	EN12900 MBP	
[°F]	14	113	68	113											
[°C]	5	50	20	50	1584,1	5410	1363,3	2,03	6,92	1,74	782,1	4,18	39,92	EN12900 HBP	
[°F]	41	122	68	122											

### Performance tables

R134a, 230V/60Hz, CSIR, fan 1,5m/s, CCC, VDE, UL

	pe		Cooling capacity			COP	EER		P1	I	m
	[°C]	[°F]	[W]	[Btu/h]	[kcal/h]	[W/W]	[Btu/Wh]	[kcal/Wh]	[W]	[A]	[kg/h]
[°C / °F]	-25	-13	393,7	1344	338,8	1,00	3,41	0,86	394,6	2,99	8,53
cond. pressure	-23	-10	442,0	1509	380,4	1,06	3,62	0,91	417,1	3,03	9,58
pc= 45/113	-20	-4	543,8	1857	468,0	1,18	4,04	1,02	459,5	3,10	11,81
return gas temp.	-18	0	618,0	2111	531,9	1,27	4,34	1,09	486,8	3,16	13,45
RGT= 32/90	-15	5	720,3	2460	619,9	1,38	4,73	1,19	520,6	3,24	15,70
liquid temp	-10	14	926,5	3164	797,4	1,60	5,47	1,38	578,6	3,40	20,28
Tliq= 45/113	-5	23	1165,7	3981	1003,2	1,84	6,27	1,58	634,5	3,58	25,63
[°C / °F]	-25	-13	337,6	1153	290,6	0,88	2,99	0,75	385,7	3,05	8,07
cond. pressure	-23	-10	379,5	1296	326,6	0,92	3,13	0,79	413,6	3,10	9,08
pc= 55/131	-20	-4	468,2	1599	402,9	1,00	3,43	0,86	466,2	3,19	11,23
return gas temp	-18	0	533,3	1821	458,9	1,07	3,64	0,92	500,3	3,26	12,81
RGT= 32/90	-15	5	623,4	2129	536,5	1,15	3,92	0,99	542,7	3,36	15,01
liquid temp	-10	14	806,5	2754	694,1	1,31	4,47	1,13	616,0	3,56	19,50
Tliq= 55/131	-5	23	1020,8	3486	878,6	1,49	5,07	1,28	687,0	3,79	24,81