

## Single Pack SC10CL 115V 60Hz CSIR

Single pack code number: **195B4004**

| Position | Title   | Code     | Amount |
|----------|---|----------|--------|
| 1        | Compressor SC10CL                                       | 104L1503 | 1      |
| 2        | Starting relay  | 117U6020 | 1      |
| 3        | Starting capacitor (240 $\mu$ F 125V, 6.3mm)            | 117U5023 | 1      |
| 4        | Cord relief   | 103N1004 | 1      |
| 5        | Cover   | 103N2008 | 1      |
| 6        | Bolt joint for one compressor   M6   $\varnothing$ 16mm | 118-1917 | 1      |

**Secop GmbH** • Lise-Meitner-Straße 29 • 24941 Flensburg, Germany • Tel: +49 461 4941 0 • [www.secop.com](http://www.secop.com)

Secop accepts no responsibility for possible errors in catalogs, brochures, and other printed material. Secop reserves the right to alter its products without notice. This also applies to products already on order provided that such alterations can be made without subsequent changes being necessary to specifications already agreed. All trademarks in this material are the property of the respective companies. Secop and the Secop logotype are trademarks of Secop GmbH. All rights reserved.

## SC10CL LBP/MBP Compressor R404A/R507 115V 60Hz

### General

|                       |          |
|-----------------------|----------|
| Code number           | 104L1503 |
| Approvals             | UL984    |
| Compressors on pallet | 80       |

### Application

| Application                                    | LBP/MBP |    |           |  |
|--|---------|----|-----------|--|
| Frequency                                      | Hz      | 50 | 60        |  |
| Evaporating temperature                        | °F      | -  | -40 to 45 |  |
| Voltage range                                  | V       | -  | 103 - 127 |  |
| Max. condensing temperature continuous (short) | °F      | -  | 131 (140) |  |
| Max. winding temperature continuous (short)    | °F      | -  | 257 (275) |  |

### Cooling requirements

| Frequency               | Hz | 50  |     |     | 60             |                |     |
|-------------------------|----|-----|-----|-----|----------------|----------------|-----|
| Application             |    | LBP | MBP | HBP | LBP            | MBP            | HBP |
| 90°F                    |    | -   | -   | -   | F <sub>2</sub> | F <sub>2</sub> | -   |
| 100°F                   |    | -   | -   | -   | F <sub>2</sub> | F <sub>2</sub> | -   |
| 110°F                   |    | -   | -   | -   | F <sub>2</sub> | F <sub>2</sub> | -   |
| Remarks on application: |    |     |     |     |                |                |     |

### Motor

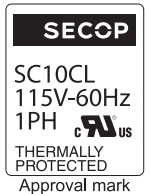
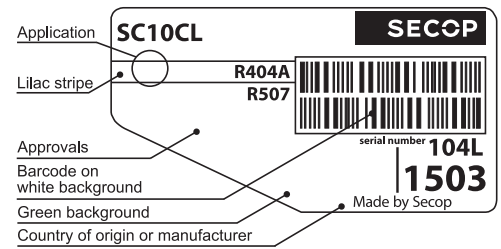
| Motor type                                | CSIR |      |     |
|---|------|------|-----|
| LRA (rated after 4 sec. UL984), HST   LST | A    | 41.9 | -   |
| Cut in Current, HST   LST                 | A    | 41.9 | -   |
| Resistance, main   start winding (77°F)   | Ω    | 1.0  | 4.3 |

### Design

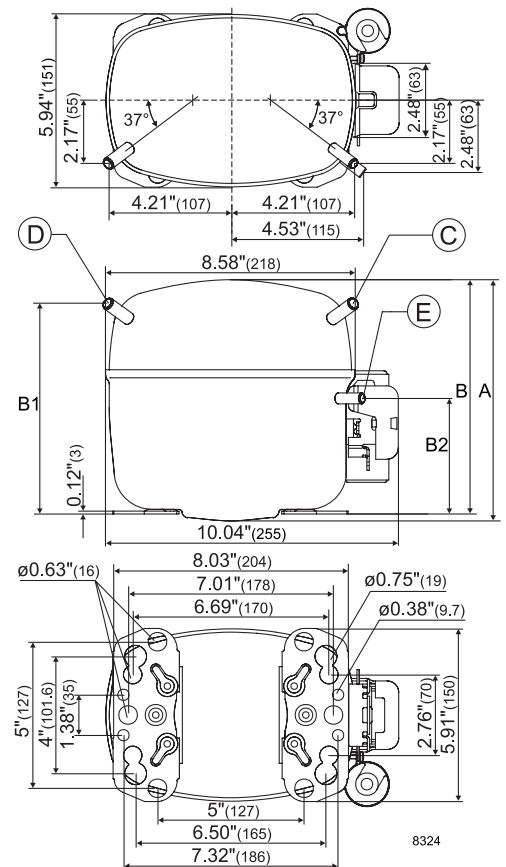
|                                     |        |                    |
|-------------------------------------|--------|--------------------|
| Displacement                        | cu.in  | 0.63               |
| Oil quantity (type)                 | fl.oz. | 18.6 (polyolester) |
| Maximum refrigerant charge          | oz.    | 45.8               |
| Free gas volume in compressor       | fl.oz. | 51.1               |
| Weight without electrical equipment | lbs.   | 27.7               |

### Dimensions

| Height               | inch                       | A  | 8.23                 |
|----------------------|----------------------------|----|----------------------|
|                      |                            | B  | 8.00                 |
|                      |                            | B1 | 7.20                 |
|                      |                            | B2 | 3.93                 |
| Suction connector    | location, I.D. in.   angle | C  | 0.320-0.327   37°    |
|                      | material   comment         |    | Copper   Rubber plug |
| Process connector    | location, I.D. in.   angle | D  | 0.252-0.259   37°    |
|                      | material   comment         |    | Copper   Rubber plug |
| Discharge connector  | location, I.D. in.   angle | E  | 0.252-0.259   37°    |
|                      | material   comment         |    | Copper   Rubber plug |
| Oil cooler connector | location, I.D. in.   angle | F  | -                    |
|                      | material   comment         |    | -                    |
| Remarks:             |                            |    |                      |



- S = Static cooling normally sufficient
- O = Oil cooling
- F<sub>1</sub> = Fan cooling 1.5 m/s  
(compressor compartment temperature equal to ambient temperature)
- F<sub>2</sub> = Fan cooling 3.0 m/s necessary
- SG = Suction gas cooling normally sufficient
- = not applicable in this area



**ASHRAE LBP**

115V, 60Hz, fan cooling F<sub>2</sub>

|                    |     |      |      |      |      |      |      |      |      |      |      |      |      |      |    |    |    |
|--------------------|-----|------|------|------|------|------|------|------|------|------|------|------|------|------|----|----|----|
| Evap. temp. in °F  | -49 | -40  | -30  | -20  | -13  | -10  | 0    | 10   | 14   | 20   | 30   | 40   | 41   | 45   | 50 | 59 | 68 |
| Capacity in BTU/h  |     | 122  | 482  | 909  | 1257 | 1420 | 2034 | 2769 | 3101 | 3643 | 4677 | 5893 | 6025 | 6576 |    |    |    |
| Power cons. in W   |     | 145  | 248  | 339  | 398  | 422  | 500  | 573  | 602  | 645  | 719  | 795  | 803  | 835  |    |    |    |
| Current cons. in A |     | 4.21 | 4.64 | 5.10 | 5.44 | 5.58 | 6.09 | 6.63 | 6.85 | 7.19 | 7.78 | 8.39 | 8.45 | 8.71 |    |    |    |
| EER in BTU/Wh      |     | 0.84 | 1.95 | 2.68 | 3.16 | 3.36 | 4.07 | 4.83 | 5.15 | 5.64 | 6.51 | 7.41 | 7.50 | 7.87 |    |    |    |

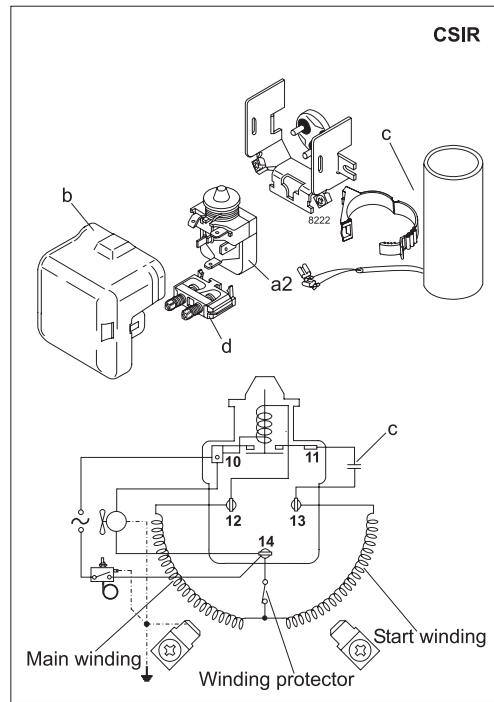
**ASHRAE MBP**

115V, 60Hz, fan cooling F<sub>2</sub>

|                    |     |      |      |      |      |      |      |      |      |      |      |      |      |      |    |    |    |
|--------------------|-----|------|------|------|------|------|------|------|------|------|------|------|------|------|----|----|----|
| Evap. temp. in °F  | -49 | -40  | -30  | -20  | -13  | -10  | 0    | 10   | 14   | 20   | 30   | 40   | 41   | 45   | 50 | 59 | 68 |
| Capacity in BTU/h  |     | 104  | 412  | 776  | 1073 | 1212 | 1734 | 2357 | 2638 | 3096 | 3968 | 4989 | 5100 | 5560 |    |    |    |
| Power cons. in W   |     | 145  | 248  | 339  | 398  | 422  | 500  | 573  | 602  | 645  | 719  | 795  | 803  | 835  |    |    |    |
| Current cons. in A |     | 4.21 | 4.64 | 5.10 | 5.44 | 5.58 | 6.09 | 6.63 | 6.85 | 7.19 | 7.78 | 8.39 | 8.45 | 8.71 |    |    |    |
| EER in BTU/Wh      |     | 0.71 | 1.66 | 2.29 | 2.69 | 2.87 | 3.47 | 4.11 | 4.38 | 4.80 | 5.52 | 6.27 | 6.35 | 6.66 |    |    |    |

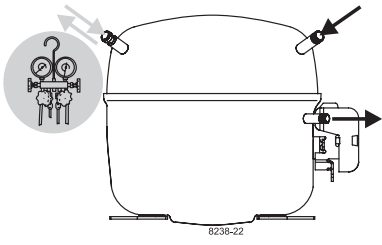
**EN 12900 Household (CECOMAF)\*** 115V, 60Hz, fan cooling F<sub>2</sub>

|                    |     |      |      |      |      |      |      |      |      |      |      |      |      |      |    |    |    |
|--------------------|-----|------|------|------|------|------|------|------|------|------|------|------|------|------|----|----|----|
| Evap. temp. in °F  | -49 | -40  | -30  | -20  | -13  | -10  | 0    | 10   | 14   | 20   | 30   | 40   | 41   | 45   | 50 | 59 | 68 |
| Capacity in W      |     | 75   | 184  | 310  | 411  | 458  | 632  | 834  | 924  | 1070 | 1342 | 1655 | 1688 | 1827 |    |    |    |
| Power cons. in W   |     | 193  | 284  | 364  | 415  | 436  | 502  | 565  | 590  | 628  | 691  | 759  | 766  | 795  |    |    |    |
| Current cons. in A |     | 4.45 | 4.79 | 5.15 | 5.42 | 5.54 | 5.96 | 6.40 | 6.59 | 6.87 | 7.36 | 7.88 | 7.93 | 8.15 |    |    |    |
| COP in W/W         |     | 0.39 | 0.65 | 0.85 | 0.99 | 1.05 | 1.26 | 1.48 | 1.57 | 1.70 | 1.94 | 2.18 | 2.20 | 2.30 |    |    |    |



| Accessories for           | SC10CL                  | Figure | Code number | Test conditions             | ASHRAE LBP | ASHRAE MBP         | EN 12900/CECOMAF* |
|---------------------------|-------------------------|--------|-------------|-----------------------------|------------|--------------------|-------------------|
| PTC starting device       | 1/4 in. spade connect.  | -      | -           | Condensing temp.            | 130°F      | 130°F              | 130°F             |
|                           | 3/16 in. spade connect. |        | -           | Ambient temperature         | 90°F       | 95°F               | 90°F              |
| Starting relay            | 1/4 in. spade connect.  | a2     | 117U6020    | Suction gas temp.           | 90°F       | 95°F               | 90°F              |
| Cover                     |                         | b      | 103N2008    | Liquid temperature          | 90°F       | 115°F              | no subcooling     |
| Start. capacitor 240 µF   | 1/4 in. spade connect.  | c      | 117U5023    |                             |            |                    |                   |
| Cord relief               |                         | d      | 103N1004    |                             |            |                    |                   |
| Protection screen for PTC |                         | -      | -           |                             |            |                    |                   |
|                           |                         |        |             | <b>Mounting accessories</b> |            | <b>Code number</b> |                   |
|                           |                         |        |             | Bolt joint for one comp.    | Ø: 5/8 in. | 118-1917           |                   |
|                           |                         |        |             | Bolt joint in quantities    | Ø: 5/8 in. | 118-1918           |                   |
|                           |                         |        |             | Snap-on in quantities       | Ø: 5/8 in. | 118-1919           |                   |

Secop accepts no responsibility for possible errors in catalogs, brochures, and other printed material. Secop reserves the right to alter its products without notice. This also applies to products already on order provided that such alterations can be made without subsequential changes being necessary to specifications already agreed. All trademarks in this material are the property of the respective companies. Secop and the Secop logotype are trademarks of Secop GmbH. All rights reserved. [www.secop.com](http://www.secop.com)



# SC Compressors





# SC Compressors

## Service/Repair – R290



8545



Secop accepts no responsibility for possible errors in catalogs, brochures, and other printed material. Secop reserves the right to alter its products without notice. This also applies to products already on order provided that such alterations can be made without subsequent changes being necessary to specifications already agreed. All trademarks in this material are the property of the respective companies. Secop and the Secop logotype are trademarks of Secop GmbH. All rights reserved. [www.secop.com](http://www.secop.com)