

## Single Pack NF11FX.2 115-127V 60Hz CSIR

Single pack code number: **195B4013**

| Position | Title                                      | Code     | Amount |
|----------|--|----------|--------|
| 1        | Compressor NF11FX.2                        | 105G5914 | 1      |
| 2        | Bolt joint for one compressor   M6   ø16mm | 118-1917 | 1      |

**Secop GmbH** • Lise-Meitner-Straße 29 • 24941 Flensburg, Germany • Tel: +49 461 4941 0 • [www.secop.com](http://www.secop.com)

Secop accepts no responsibility for possible errors in catalogs, brochures, and other printed material. Secop reserves the right to alter its products without notice. This also applies to products already on order provided that such alterations can be made without subsequent changes being necessary to specifications already agreed. All trademarks in this material are the property of the respective companies. Secop and the Secop logotype are trademarks of Secop GmbH. All rights reserved.

## NF11FX.2 Standard Compressor R134a 115-127V 60Hz

### General

|  |          |
|--|----------|
| Code number (pre-assembled CSIR start equipment) | 105G5914 |
| Approvals  | UL984    |
| Compressors on pallet                            | 80       |

### Application

| Application                                    | LBP/MBP |                  |
|--|---------|------------------|
| Frequency                                      | Hz      | 50      60       |
| Evaporating temperature                        | °F      | -      0 to 45   |
| Voltage range                                  | V       | -      95 - 135  |
| Max. condensing temperature continuous (short) | °F      | -      140 (158) |
| Max. winding temperature continuous (short)    | °F      | -      257 (275) |

### Cooling requirements

| Frequency   | Hz | 50  |     |     | 60  |                |     |
|-------------|----|-----|-----|-----|-----|----------------|-----|
| Application |    | LBP | MBP | HBP | LBP | MBP            | HBP |
| 90°F        |    | -   | -   | -   | -   | F <sub>2</sub> | -   |
| 100°F       |    | -   | -   | -   | -   | F <sub>2</sub> | -   |
| 110°F       |    | -   | -   | -   | -   | F <sub>2</sub> | -   |

Remarks on application: Below 10°F only for 115V 60Hz nominal.

### Motor

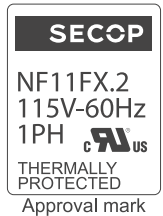
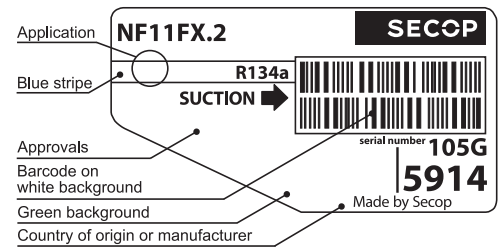
| Motor type                                | CSIR |              |
|---|------|--------------|
| LRA (rated after 4 sec. UL984), HST   LST | A    | 40.0      -  |
| Cut in Current, HST   LST                 | A    | 40.0      -  |
| Resistance, main   start winding (77°F)   | Ω    | 1.0      2.9 |

### Design

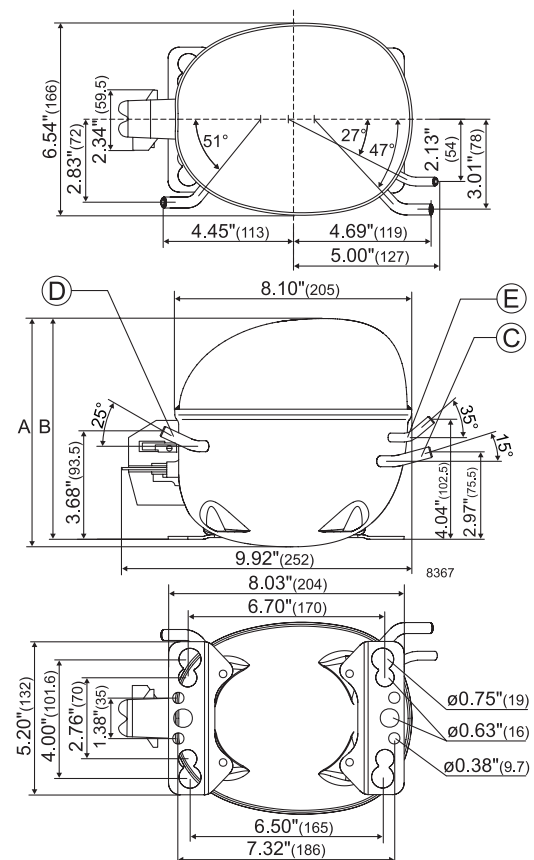
|                                     |        |                     |
|-------------------------------------|--------|---------------------|
| Displacement                        | cu.in  | 0.68                |
| Oil quantity (type)                 | fl.oz. | 10.14 (polyolester) |
| Maximum refrigerant charge          | oz.    | 14.0                |
| Free gas volume in compressor       | fl.oz. | 79.7                |
| Weight without electrical equipment | lbs.   | 22.0                |

### Dimensions

| Height               | inch                       | A  | 8.00                 |
|----------------------|----------------------------|----|----------------------|
|                      |                            | B  | 7.76                 |
|                      |                            | B1 | -                    |
|                      |                            | B2 | -                    |
| Suction connector    | location, I.D. in.   angle | C  | 0.320-0.327   15°    |
|                      | material   comment         |    | Copper   Rubber plug |
| Process connector    | location, I.D. in.   angle | D  | 0.252-0.259   25°    |
|                      | material   comment         |    | Copper   Rubber plug |
| Discharge connector  | location, I.D. in.   angle | E  | 0.252-0.259   35°    |
|                      | material   comment         |    | Copper   Rubber plug |
| Oil cooler connector | location, I.D. in.   angle | F  | -                    |
|                      | material   comment         |    | -                    |
| Remarks:             |                            |    |                      |



- S = Static cooling normally sufficient
- O = Oil cooling
- F<sub>1</sub> = Fan cooling 1.5 m/s  
(compressor compartment temperature equal to ambient temperature)
- F<sub>2</sub> = Fan cooling 3.0 m/s necessary
- SG = Suction gas cooling normally sufficient
- = not applicable in this area



**ASHRAE LBP**

115V, 60Hz, fan cooling F<sub>2</sub>

|                    |     |     |     |     |     |     |      |      |      |      |      |      |      |      |    |    |    |
|--------------------|-----|-----|-----|-----|-----|-----|------|------|------|------|------|------|------|------|----|----|----|
| Evap. temp. in °F  | -49 | -40 | -30 | -20 | -13 | -10 | 0    | 10   | 14   | 20   | 30   | 40   | 41   | 45   | 50 | 59 | 68 |
| Capacity in BTU/h  |     |     |     |     |     |     | 1771 | 2351 | 2613 | 3042 | 3856 | 4805 | 4908 | 5335 |    |    |    |
| Power cons. in W   |     |     |     |     |     |     | 360  | 412  | 433  | 465  | 521  | 581  | 588  | 614  |    |    |    |
| Current cons. in A |     |     |     |     |     |     | 5.42 | 5.71 | 5.83 | 6.03 | 6.39 | 6.79 | 6.83 | 7.00 |    |    |    |
| EER in BTU/Wh      |     |     |     |     |     |     | 4.92 | 5.71 | 6.03 | 6.54 | 7.40 | 8.27 | 8.35 | 8.69 |    |    |    |

**ASHRAE MBP**

115V, 60Hz, fan cooling F<sub>2</sub>

|                    |     |     |     |     |     |     |      |      |      |      |      |      |      |      |    |    |    |
|--------------------|-----|-----|-----|-----|-----|-----|------|------|------|------|------|------|------|------|----|----|----|
| Evap. temp. in °F  | -49 | -40 | -30 | -20 | -13 | -10 | 0    | 10   | 14   | 20   | 30   | 40   | 41   | 45   | 50 | 59 | 68 |
| Capacity in BTU/h  |     |     |     |     |     |     | 1573 | 2088 | 2320 | 2700 | 3421 | 4259 | 4350 | 4726 |    |    |    |
| Power cons. in W   |     |     |     |     |     |     | 360  | 412  | 433  | 465  | 521  | 581  | 588  | 614  |    |    |    |
| Current cons. in A |     |     |     |     |     |     | 5.42 | 5.71 | 5.83 | 6.03 | 6.39 | 6.79 | 6.83 | 7.00 |    |    |    |
| EER in BTU/Wh      |     |     |     |     |     |     | 4.37 | 5.07 | 5.36 | 5.80 | 6.57 | 7.33 | 7.40 | 7.70 |    |    |    |

**EN 12900 Household (CECOMAF)**

115V, 60Hz, fan cooling F<sub>2</sub>

|                    |     |     |     |     |     |     |      |      |      |      |      |      |      |      |    |    |    |
|--------------------|-----|-----|-----|-----|-----|-----|------|------|------|------|------|------|------|------|----|----|----|
| Evap. temp. in °F  | -49 | -40 | -30 | -20 | -13 | -10 | 0    | 10   | 14   | 20   | 30   | 40   | 41   | 45   | 50 | 59 | 68 |
| Capacity in W      |     |     |     |     |     |     | 419  | 556  | 618  | 720  | 912  | 1136 | 1160 | 1260 |    |    |    |
| Power cons. in W   |     |     |     |     |     |     | 360  | 413  | 434  | 467  | 523  | 584  | 590  | 617  |    |    |    |
| Current cons. in A |     |     |     |     |     |     | 5.42 | 5.72 | 5.84 | 6.04 | 6.41 | 6.81 | 6.85 | 7.02 |    |    |    |
| COP in W/W         |     |     |     |     |     |     | 1.16 | 1.35 | 1.42 | 1.54 | 1.74 | 1.94 | 1.96 | 2.04 |    |    |    |



| Accessories for NF11FX.2<br>(pre-assembled CSIR start equipment) | Figure | Code number | Test conditions             | ASHRAE LBP | ASHRAE MBP | EN 12900/CECOMAF |
|--|--------|-------------|-----------------------------|------------|------------|------------------|
| Starting relay 1/4 in. spade connect.                            | a2     | 117U4151    | Condensing temp.            | 130°F      | 130°F      | 131°F            |
| Protector 3/4 in. Texas Instruments                              |        | MRT16ADK-6  | Ambient temp.               | 90°F       | 95°F       | 90°F             |
| Start. capacitor 410 µF 1/4 in. spade connect.                   | c      | 117U5028    | Suction gas temp.           | 90°F       | 95°F       | 90°F             |
| Cover  | b      | 117U1021    | Liquid temperature          | 90°F       | 115°F      | no subcooling    |
| Cord relief  | d      | 117U0349    | <b>Mounting accessories</b> |            |            |                  |
| Cord relief for capacitor  | dc     | 117U0349    | <b>Code number</b>          |            |            |                  |
|  |        |             | Bolt joint for one comp.    | Ø: 5/8 in. | 118-1917   |                  |
|  |        |             | Bolt joint in quantities    | Ø: 5/8 in. | 118-1918   |                  |
|  |        |             | Snap-on in quantities       | Ø: 5/8 in. | 118-1919   |                  |

Secop accepts no responsibility for possible errors in catalogs, brochures, and other printed material. Secop reserves the right to alter its products without notice. This also applies to products already on order provided that such alterations can be made without subsequential changes being necessary to specifications already agreed. All trademarks in this material are the property of the respective companies. Secop and the Secop logotype are trademarks of Secop GmbH. All rights reserved. [www.secop.com](http://www.secop.com)



# NF Compressors





8238-23



Secop accepts no responsibility for possible errors in catalogs, brochures, and other printed material. Secop reserves the right to alter its products without notice. This also applies to products already on order provided that such alterations can be made without subsequential changes being necessary to specifications already agreed. All trademarks in this material are the property of the respective companies. Secop and the Secop logotype are trademarks of Secop GmbH. All rights reserved. [www.secop.com](http://www.secop.com)