

## Single Pack SC10G 220-240V 50Hz / 208-230V 60Hz CSIR

Single pack code number: **195B4035**

Position	Title	Code	Amount
1	Compressor SC10G	104G8000	1
2	Starting relay	117U6002	1
3	Starting capacitor (80 $\mu$ F 220V, 6.3mm)	117U5017	1
4	Cord relief	103N1004	1
5	Cover	103N2009	1
6	Bolt joint for one compressor   M6   $\varnothing$ 16mm	118-1917	1

Secop GmbH • Lise-Meitner-Straße 29 • 24941 Flensburg, Germany • Tel: +49 461 4941 0 • [www.secop.com](http://www.secop.com)

Secop accepts no responsibility for possible errors in catalogs, brochures, and other printed material. Secop reserves the right to alter its products without notice. This also applies to products already on order provided that such alterations can be made without subsequent changes being necessary to specifications already agreed. All trademarks in this material are the property of the respective companies. Secop and the Secop logotype are trademarks of Secop GmbH. All rights reserved.

## Model

Designation	<b>SC10G</b>	220-240V/50Hz 1~ 208-230V/60Hz 1~	Sales code:	<b>104G8000</b>
-------------	--------------	-----------------------------------	-------------	-----------------

## Compressor design

Oil type	Polyolester	Refrigerant(s)	<b>R134a, R513A</b>
Oil viscosity	22cST	Displacement	10,29cm <sup>3</sup> / 0,63cu.in
Oil quantity	550cm <sup>3</sup> / 18,6fl.oz	Compressors on pallet	80
Refr. charge - tech. limit	1300g / 45,9oz		
Free gas volume comp.	1510cm <sup>3</sup> / 51,1fl.oz		
Weight	12,1kg / 26,7lbs		
Motor protection	1# internal		
Winding resistance main	7,9Ω (at 25°C)		
Winding resistance aux	14Ω (at 25°C)		
Max. winding temp.	125°C / 257°F		
Max. discharge temp.	130°C / 266°F		



## General - Configurations with SC10G

	<b>Conf. 1</b>	<b>Conf. 2</b>	<b>Conf. 3</b>	<b>Conf. 4</b>	<b>Conf. 5</b>
Motorconfiguration	CSIR	CSIR	CSIR	CSIR	RSIR
Power supply (nominal)	220-240V/50Hz	208-230V/60Hz	220-240V/50Hz	208-230V/60Hz	220-240V/50Hz
Number of phases	1	1	1	1	1
Voltage range	187-254V	198-254V	187-254V	198-253V	187-254V
Approvals	VDE, CCC, EAC	VDE, CCC, EAC	VDE, CCC	VDE, CCC	VDE, CCC, EAC
Starting torque	HST	HST	HST	HST	LST
Note	- / -				

## Applications with SC10G

	<b>Conf. 1</b>	<b>Conf. 2</b>	<b>Conf. 3</b>	<b>Conf. 4</b>	<b>Conf. 5</b>
Refrigerant	R134a	R134a	R513A	R513A	R134a
Application	LBP+MBP+HBP	LBP	LBP+MBP+HBP	LBP	LBP+MBP+HBP
System cooling	fan 3m/s	fan 3m/s	fan 3m/s	fan 3m/s	fan 3m/s
Hot gas defrost	OK	OK	OK	OK	OK
Long interval pull down	OK	OK	OK	OK	OK

## Electrical data - Configurations with SC10G

	<b>Conf. 1</b>	<b>Conf. 2</b>	<b>Conf. 3</b>	<b>Conf. 4</b>	<b>Conf. 5</b>
Starting device type	relay	relay	relay	relay	PTC
Run capacitor	- / -	- / -	- / -	- / -	- / -
Start capacitor	80μF	80μF	80μF	80μF	- / -
LRA (locked rotor amps / 4s)	11A	11A	11A	11A	10A
RLA (rated load amps / 1s)	2,1A	2,1A	2,1A	2,1A	2,1A
Cut in current	15A	15A	15A	15A	15A

## Model

Designation

**SC10G**

220-240V/50Hz 1~ 208-230V/60Hz 1~

Sales code:

**104G8000**

## Compressor dimensions

<b>Housing</b>	A Height	199mm / 7,83in
	B Height	193mm / 7,6in
	C Length shell	218mm / 8,58in
	D Length w. cover	255mm / 10,04in
	E Width	151mm / 5,94in

Connectors	Suction X	Discharge Y	Process Z
Diameter [mm]	øi 8,11-8,29	øi 6,11-6,29	øi 6,11-6,29
(i:inside, o:outside) [in]	øi 0,32-0,33	øi 0,24-0,25	øi 0,24-0,25
Material	copper	copper	copper
Horizontal angle ±2°	37°	37°	143°
Vertical angle ±2°	30°	0°	150°
Position l/h/w [mm]	107/173/55	115/90/63	-107/173/55
[in]	4,2/6,8/2,2	4,5/3,5/2,5	-4,2/6,8/2,2
Straight tube l. [mm]	12	12	12
[in]	0,5	0,5	0,5



## Compressor fixation



### Bolt joint



### Snap-on



## Mounting accessories

	one comp.	multi pack
Bolt joint   M6   ø16mm	118-1917	118-1918
Bolt joint   ø1/4"   ø16mm	118-1946	
Bolt joint   ø1/4"   ø19mm	118-1949	
Snap-on   ø7,3   ø16mm	118-1947	118-1919

## Application notes

Provision for PE Grounding is located at the PE Stamp on the compressor

## Model

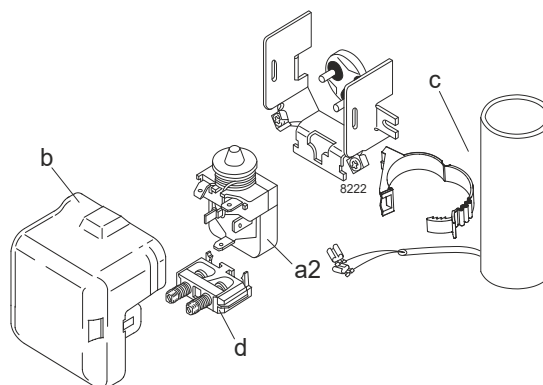
Designation	<b>SC10G</b>	<b>220-240V/50Hz</b>	<b>Conf. 1</b>	Sales code:	<b>104G8000</b>
-------------	--------------	----------------------	----------------	-------------	-----------------

## Configuration

Motorconfiguration	CSIR
Power supply (nominal)	220-240V/50Hz 1~
Refrigerant	R134a
Application	LBP+MBP+HBP
Voltage range	187-254V
Starting torque	HST
Approvals	VDE CCC EAC

## Electrical accessories / wiring diagram

CSIR



## Ambient/ machine room temperatures minimum /maximum

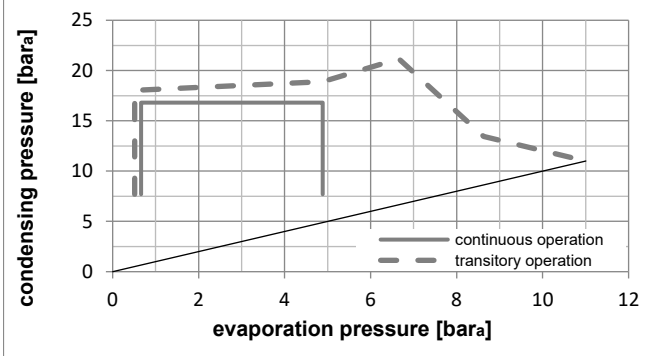
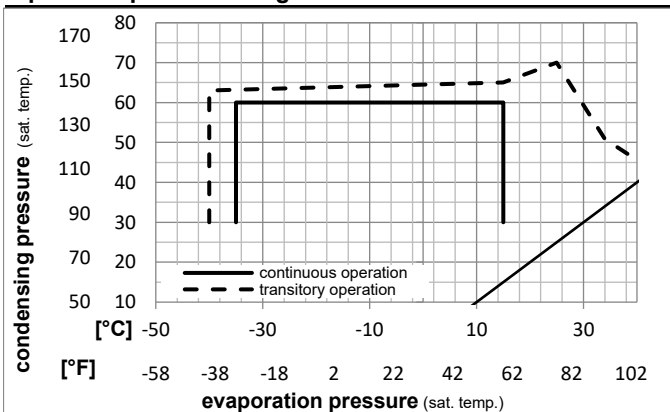
Ambient temperature range: 10 - 43°C / 50 - 110°F

Machine room temperature range: 10 - 48°C / 50 - 119°F

Compressor cooling: fan 3m/s

## Operation Limits

### Operation pressure range



### Components

a2	assy. relay	117U6002
c	start capacitor (80μF)	117U5017
d	cord relief	103N1004
b	plastic cover	103N2009

## Model

Designation	<b>SC10G</b>	<b>220-240V/50Hz</b>	<b>Conf. 1</b>	Sales code:	<b>104G8000</b>
-------------	--------------	----------------------	----------------	-------------	-----------------

## Optimization + standard conditions

R134a, 220V/50Hz, CSIR, fan 3m/s, VDE, CCC, EAC

	Evaporating pressure (saturation temperature)				Condensing pressure (saturation temperature)			Return gas temp.	Liquid temp.	Cooling capacity			COP	EER	Power consumption			Ref. mass flow	
	pe	pc	RGT	Tliq	[W]	[Btu/h]	[kcal/h]			[W/W]	[Btu/Wh]	[kcal/Wh]			P1	I	m		
[°C]																			
[°F]																			
	-23	54	32	32	167,8	573	144,4	0,86	2,95	0,74	194,1	1,44	3,26	ASHRAE LBP					
	-10	130	90	90															
	-25	55	32	55	113,2	386	97,4	0,63	2,14	0,54	181,0	1,41	2,71	cecomaf LBP					
	-13	131	90	131															
	-35	40	20	40	71,3	244	61,4	0,61	2,07	0,52	117,6	1,33	1,56	EN12900 LBP					
	-31	104	68	104															
	-7	54	35	46	493,8	1686	424,9	1,59	5,43	1,37	310,3	1,80	10,77	ASHRAE MBP					
	20	130	95	115															
	-10	55	32	55	369,4	1262	317,9	1,27	4,35	1,10	290,0	1,72	8,93	cecomaf MBP					
	14	131	90	131															
	-10	45	20	45	437,8	1495	376,8	1,61	5,49	1,38	272,4	1,67	10,25	EN12900 MBP					
	14	113	68	113															

## Performance tables

R134a, 220V/50Hz, CSIR, fan 3m/s, VDE, CCC, EAC

	pe		Cooling capacity			COP	EER	P1	I	m	
	[°C]	[°F]	[W]	[Btu/h]	[kcal/h]	[W/W]	[Btu/Wh]	[kcal/Wh]	[W]	[A]	[kg/h]
[°C / °F]	-35	-31	53,5	183	46,1	0,49	1,69	0,43	108,3	1,31	1,16
cond. pressure	-25	-13	166,6	569	143,4	0,91	3,12	0,79	182,5	1,42	3,61
pc= 45/113	-15	5	343,0	1171	295,2	1,40	4,79	1,21	244,7	1,57	7,48
return gas temp.	-10	14	454,2	1551	390,9	1,67	5,69	1,43	272,4	1,67	9,94
RGT= 32/90	0	32	721,0	2462	620,5	2,23	7,62	1,92	323,3	1,87	15,94
liquid temp	5	41	876,0	2992	753,9	2,52	8,61	2,17	347,3	1,97	19,50
Tliq= 45/113	15	59	1227,7	4193	1056,5	3,11	10,63	2,68	394,6	2,18	27,81
[°C / °F]	-35	-31	23,3	80	20,1	0,25	0,85	0,22	93,4	1,29	0,56
cond. pressure	-25	-13	113,2	386	97,4	0,63	2,14	0,54	181,0	1,41	2,71
pc= 55/131	-15	5	268,2	916	230,8	1,05	3,58	0,90	256,1	1,61	6,46
return gas temp	-10	14	369,4	1262	317,9	1,27	4,35	1,10	290,0	1,72	8,93
RGT= 32/90	0	32	617,7	2110	531,6	1,75	5,98	1,51	352,9	1,98	15,11
liquid temp	5	41	764,2	2610	657,7	2,00	6,82	1,72	382,7	2,12	18,83
Tliq= 55/131	15	59	1100,2	3757	946,8	2,49	8,52	2,15	441,2	2,40	27,63

## Model

Designation	<b>SC10G</b>	<b>208-230V/60Hz</b>	<b>Conf. 2</b>	Sales code:	<b>104G8000</b>
-------------	--------------	----------------------	----------------	-------------	-----------------

## Configuration

Motorconfiguration	CSIR
Power supply (nominal)	208-230V/60Hz 1~
Refrigerant	R134a
Application	LBP
Voltage range	198-254V
Starting torque	HST
Approvals	VDE CCC EAC

## Electrical accessories / wiring diagram

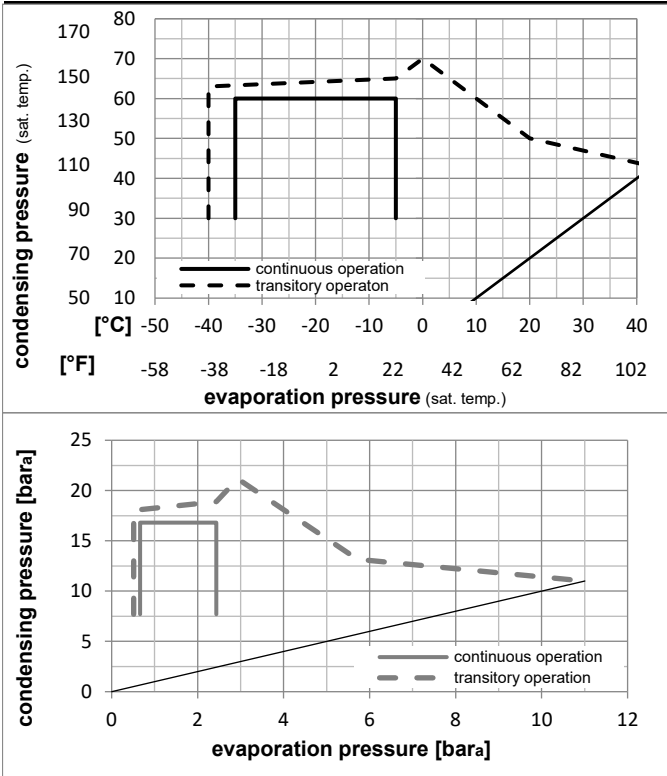


## Ambient/ machine room temperatures minimum /maximum

Ambient temperature range:	10 - 43°C / 50 - 110°F
Machine room temperature range:	10 - 48°C / 50 - 119°F
Compressor cooling:	fan 3m/s

## Operation Limits

## Operation pressure range



## Components

a2	assy. relay	117U6002
c	start capacitor (80μF)	117U5017
d	cord relief	103N1004
b	plastic cover	103N2009

### Model

Designation	<b>SC10G</b>	<b>208-230V/60Hz</b>	<b>Conf. 2</b>	Sales code:	<b>104G8000</b>
-------------	--------------	----------------------	----------------	-------------	-----------------

### Optimization + standard conditions

R134a, 230V/60Hz, CSIR, fan 3m/s, VDE, CCC, EAC

	Evaporating pressure (saturation temperature)				Cooling capacity			COP	EER	P1	Power consumption			ASHRAE LBP
	pe	pc	RGT	Tliq	[W]	[Btu/h]	[kcal/h]				l	Current consumption	Ref. mass flow	
	[°C]	[°F]	[°C]	[°F]	[W]	[Btu/h]	[kcal/h]	[W/W]	[Btu/Wh]	[kcal/Wh]	[W]	[A]	[kg/h]	
	-23	54	32	32	196,3	670	168,9	0,86	2,95	0,74	227,1	1,69	3,81	ASHRAE LBP
	[-10]	[130]	[90]	[90]										
	-25	55	32	55	132,4	452	113,9	0,63	2,14	0,54	211,7	1,66	3,17	cecomaf LBP
	[-13]	[131]	[90]	[131]										
	-35	40	20	40	83,4	285	71,8	0,61	2,07	0,52	137,6	1,56	1,83	EN12900 LBP
	[-31]	[104]	[68]	[104]										
	-7	54	35	46	577,7	1973	497,2	1,59	5,43	1,37	363,1	2,11	12,60	ASHRAE MBP
	[20]	[130]	[95]	[115]										
	-10	55	32	55	432,2	1476	372,0	1,27	4,35	1,10	339,3	2,02	10,45	cecomaf MBP
	[-14]	[131]	[90]	[131]										
	-10	45	20	45	512,2	1749	440,8	1,61	5,49	1,38	318,7	1,95	11,99	EN12900 MBP
	[-14]	[113]	[68]	[113]										

### Performance tables

R134a, 230V/60Hz, CSIR, fan 3m/s, VDE, CCC, EAC

	pe		Cooling capacity			COP	EER	P1	l	m	
	[°C]	[°F]	[W]	[Btu/h]	[kcal/h]						
[°C / °F]	-35	-31	62,7	214	53,9	0,49	1,69	0,43	126,8	1,53	1,35
cond. pressure	-30	-22	119,3	408	102,7	0,69	2,37	0,60	172,1	1,59	2,58
pc= 45/113	-25	-13	194,9	666	167,7	0,91	3,12	0,79	213,5	1,66	4,22
return gas temp.	-23	-10	224,8	768	193,5	0,99	3,39	0,85	226,7	1,69	4,88
RGT= 32/90	-20	-4	289,0	987	248,7	1,15	3,93	0,99	251,4	1,74	6,28
liquid temp	-15	5	401,3	1371	345,4	1,40	4,79	1,21	286,3	1,84	8,75
Tliq= 45/113	-5	23	678,9	2319	584,3	1,94	6,64	1,67	349,2	2,07	14,93
[°C / °F]	-35	-31	27,3	93	23,5	0,25	0,85	0,22	109,3	1,50	0,65
cond. pressure	-30	-22	70,1	239	60,3	0,43	1,47	0,37	162,6	1,57	1,67
pc= 55/131	-25	-13	132,4	452	113,9	0,63	2,14	0,54	211,7	1,66	3,17
return gas temp	-23	-10	157,9	539	135,9	0,69	2,37	0,60	227,6	1,69	3,78
RGT= 32/90	-20	-4	213,7	730	183,9	0,83	2,84	0,72	257,2	1,76	5,13
liquid temp	-15	5	313,8	1072	270,1	1,05	3,58	0,90	299,6	1,88	7,55
Tliq= 55/131	-5	23	568,7	1942	489,4	1,51	5,15	1,30	376,9	2,16	13,82

## Model

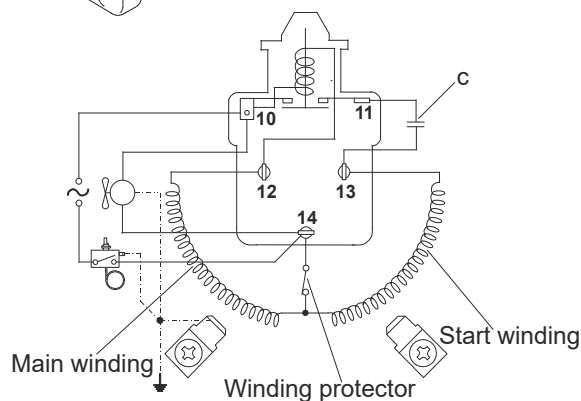
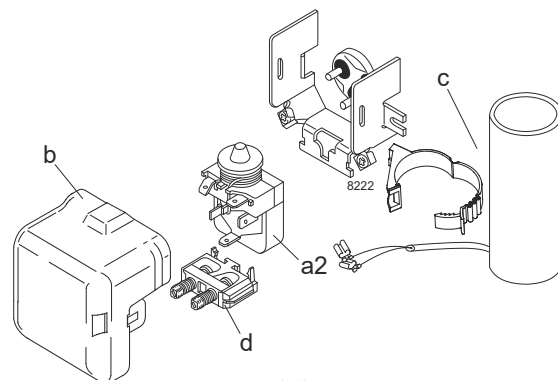
Designation	<b>SC10G</b>	<b>220-240V/50Hz</b>	<b>Conf. 3</b>	Sales code:	<b>104G8000</b>
-------------	--------------	----------------------	----------------	-------------	-----------------

## Configuration

Motorconfiguration	CSIR
Power supply (nominal)	220-240V/50Hz 1~
Refrigerant	R513A
Application	LBP+MBP+HBP
Voltage range	187-254V
Starting torque	HST
Approvals	VDE CCC

## Electrical accessories / wiring diagram

CSIR



## Ambient/ machine room temperatures minimum /maximum

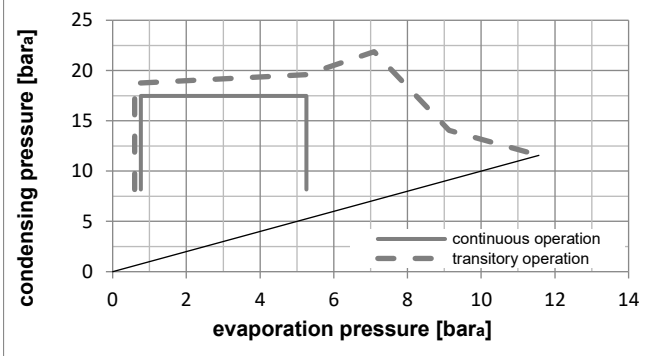
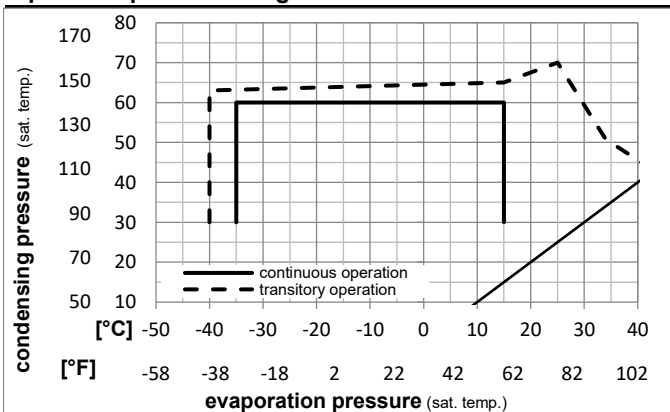
Ambient temperature range: 10 - 43°C / 50 - 110°F

Machine room temperature range: 10 - 48°C / 50 - 119°F

Compressor cooling: fan 3m/s

## Operation Limits

## Operation pressure range



## Components

a2	assy. relay	117U6002
c	start capacitor (80μF)	117U5017
d	cord relief	103N1004
b	plastic cover	103N2009



### Model

Designation **SC10G** **220-240V/50Hz** Conf. 3 Sales code: **104G8000**

### Optimization + standard conditions

R513A, 220V/50Hz, CSIR, fan 3m/s, VDE, CCC

	Evaporating pressure (saturation temperature)				Condensing pressure (saturation temperature)			Return gas temp.	Liquid temp.	Cooling capacity	COP	EER	Power consumption			Ref. mass flow
	pe	pc	RGT	Tliq	[W]	[Btu/h]	[kcal/h]						P1	I	m	
[°C]																
[°F]																
ASHRAE LBP	-23	54	32	32	187,0	639	160,9	0,89	3,03	0,76	210,7	1,49	4,02			
cecomaf LBP	-25	55	32	55	122,9	420	105,8	0,62	2,13	0,54	197,1	1,44	3,37			
EN12900 LBP	-35	40	20	40	79,4	271	68,3	0,62	2,12	0,53	128,1	1,20	1,96			
ASHRAE MBP	-7	54	35	46	518,9	1772	446,6	1,57	5,38	1,36	329,5	1,90	12,71			
cecomaf MBP	-10	55	32	55	383,9	1311	330,4	1,24	4,24	1,07	309,3	1,83	10,62			
EN12900 MBP	-10	45	20	45	458,2	1565	394,3	1,58	5,40	1,36	289,5	1,76	12,14			

### Performance tables

R513A, 220V/50Hz, CSIR, fan 3m/s, VDE, CCC

	pe		Cooling capacity			COP	EER	P1	I	m	
	[°C]	[°F]	[W]	[Btu/h]	[kcal/h]	[W/W]	[Btu/Wh]	[kcal/Wh]	[W]	[A]	[kg/h]
[°C / °F]	-35	-31	59,8	204	51,5	0,50	1,72	0,43	118,6	1,17	1,45
cond. pressure	-25	-13	182,1	622	156,7	0,92	3,15	0,79	197,2	1,44	4,44
pc= 45/113	-15	5	365,5	1248	314,6	1,40	4,77	1,20	261,5	1,67	8,96
return gas temp.	-10	14	479,1	1636	412,3	1,65	5,65	1,42	289,5	1,76	11,78
RGT= 32/90	0	32	748,1	2555	643,9	2,20	7,51	1,89	340,1	1,94	18,56
liquid temp	5	41	902,7	3083	776,9	2,48	8,48	2,14	363,7	2,02	22,52
Tliq= 45/113	15	59	1250,2	4270	1075,9	3,05	10,41	2,62	410,2	2,19	31,63
[°C / °F]	-35	-31	26,2	90	22,6	0,25	0,86	0,22	104,1	1,12	0,72
cond. pressure	-25	-13	122,9	420	105,8	0,62	2,13	0,54	197,1	1,44	3,37
pc= 55/131	-15	5	282,0	963	242,7	1,03	3,50	0,88	274,8	1,71	7,77
return gas temp	-10	14	383,9	1311	330,4	1,24	4,24	1,07	309,3	1,83	10,62
RGT= 32/90	0	32	630,6	2154	542,7	1,69	5,79	1,46	372,1	2,05	17,61
liquid temp	5	41	774,5	2645	666,5	1,93	6,59	1,66	401,5	2,16	21,77
Tliq= 55/131	15	59	1101,5	3762	947,9	2,40	8,19	2,06	459,1	2,36	31,46

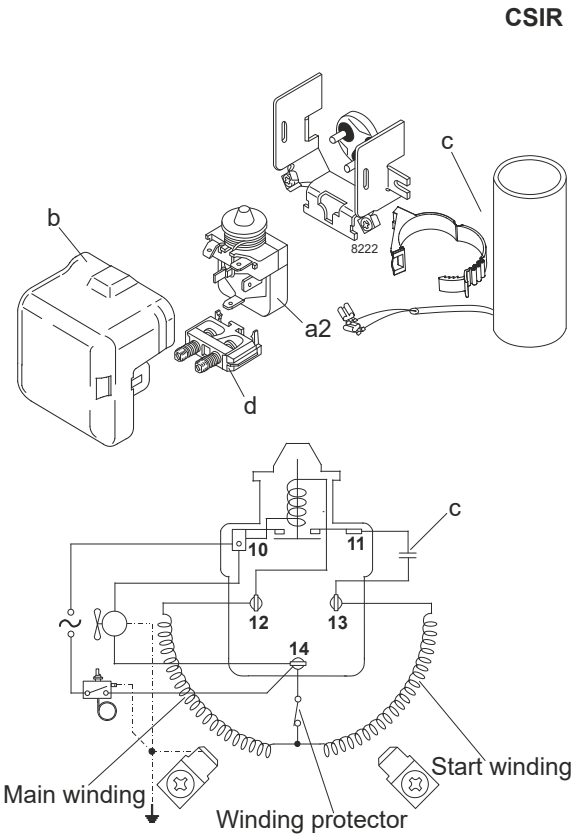
## Model

Designation	<b>SC10G</b>	<b>208-230V/60Hz</b>	<b>Conf. 4</b>	Sales code:	<b>104G8000</b>
-------------	--------------	----------------------	----------------	-------------	-----------------

## Configuration

Motorconfiguration	CSIR
Power supply (nominal)	208-230V/60Hz 1~
Refrigerant	R513A
Application	LBP
Voltage range	198-253V
Starting torque	HST
Approvals	VDE CCC

## Electrical accessories / wiring diagram

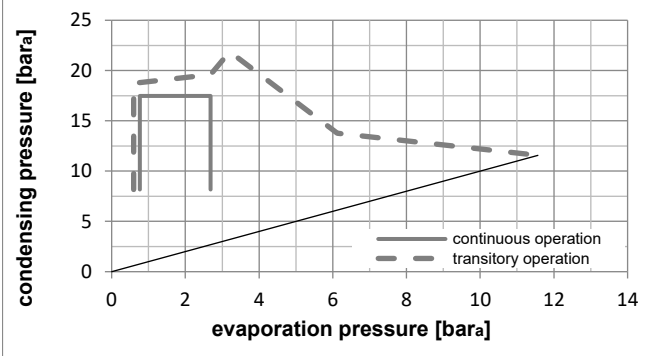
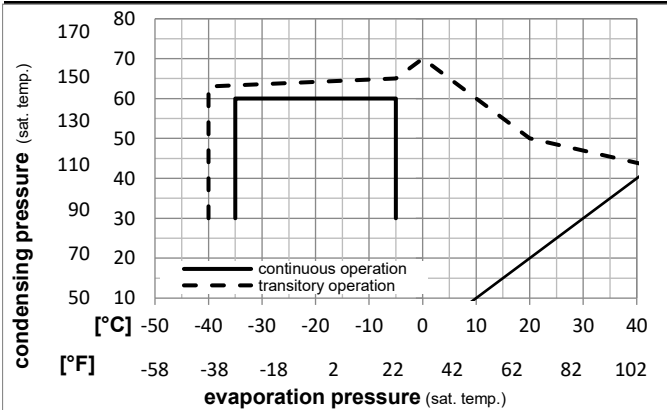


## Ambient/ machine room temperatures minimum /maximum

Ambient temperature range:	10 - 43°C / 50 - 110°F
Machine room temperature range:	10 - 48°C / 50 - 119°F
Compressor cooling:	fan 3m/s

## Operation Limits

### Operation pressure range



### Components

a2	assy. relay	117U6002
c	start capacitor (80μF)	117U5017
d	cord relief	103N1004
b	plastic cover	103N2009

## Model

Designation **SC10G** **208-230V/60Hz** Conf. 4 Sales code: **104G8000**

## Optimization + standard conditions

R513A, 230V/60Hz, CSIR, fan 3m/s, VDE, CCC

		Evaporating pressure (saturation temperature)				Condensing pressure (saturation temperature)			Return gas temp.			Liquid temp.			Cooling capacity			COP	EER	Power consumption			
		pe	pc	RGT	Tliq	[W]	[Btu/h]	[kcal/h]	[W/W]	[Btu/Wh]	[kcal/Wh]	P1	I	m	[W]	[A]	[kg/h]						
[°C]	[°F]	[°C]	[°F]	[°C]	[°F]																		
-23	-10	54	130	32	90	32	90	218,7	747	188,2	0,88	3,00	0,76	249,1	1,75	4,71	ASHRAE LBP						
-25	-13	55	131	32	90	55	131	143,8	491	123,7	0,62	2,10	0,53	233,4	1,70	3,94	cecomaf LBP						
-35	-31	40	104	20	68	40	104	92,8	317	79,9	0,61	2,07	0,52	153,1	1,41	2,30	EN12900 LBP						
-7	20	54	130	35	95	46	115	607,0	2073	522,4	1,57	5,35	1,35	387,3	2,23	14,87	ASHRAE MBP						
-10	14	55	131	32	90	55	131	449,1	1534	386,5	1,23	4,22	1,06	363,7	2,15	12,42	cecomaf MBP						
-10	14	45	113	20	68	45	113	536,0	1830	461,3	1,57	5,38	1,35	340,5	2,07	14,21	EN12900 MBP						

## Performance tables

R513A, 230V/60Hz, CSIR, fan 3m/s, VDE, CCC

	pe		Cooling capacity			COP	EER	P1	I	m	
	[°C]	[°F]	[W]	[Btu/h]	[kcal/h]	[W/W]	[Btu/Wh]	[kcal/Wh]	[W]	[A]	[kg/h]
[°C / °F]	-35	-31	70,0	239	60,2	0,49	1,68	0,42	142,2	1,38	1,70
cond. pressure	-30	-22	132,3	452	113,9	0,70	2,38	0,60	190,1	1,54	3,22
pc= 45/113	-25	-13	213,0	728	183,3	0,91	3,12	0,79	233,3	1,69	5,19
return gas temp.	-23	-10	244,6	835	210,5	0,99	3,38	0,85	247,0	1,74	5,97
RGT= 32/90	-20	-4	311,6	1064	268,2	1,14	3,91	0,98	272,3	1,83	7,61
liquid temp	-15	5	427,6	1460	368,0	1,39	4,74	1,20	307,9	1,96	10,48
Tliq= 45/113	-5	23	709,8	2424	610,9	1,91	6,54	1,65	370,8	2,18	17,52
[°C / °F]	-35	-31	30,7	105	26,4	0,24	0,83	0,21	125,7	1,32	0,84
cond. pressure	-30	-22	77,9	266	67,0	0,43	1,46	0,37	182,0	1,52	2,13
pc= 55/131	-25	-13	143,8	491	123,7	0,62	2,10	0,53	233,4	1,70	3,94
return gas temp	-23	-10	170,4	582	146,6	0,68	2,33	0,59	249,8	1,75	4,67
RGT= 32/90	-20	-4	227,9	778	196,2	0,81	2,78	0,70	280,4	1,86	6,26
liquid temp	-15	5	329,9	1127	283,9	1,02	3,48	0,88	323,6	2,01	9,09
Tliq= 55/131	-5	23	585,2	1999	503,6	1,46	4,98	1,26	401,3	2,28	16,26

## Model

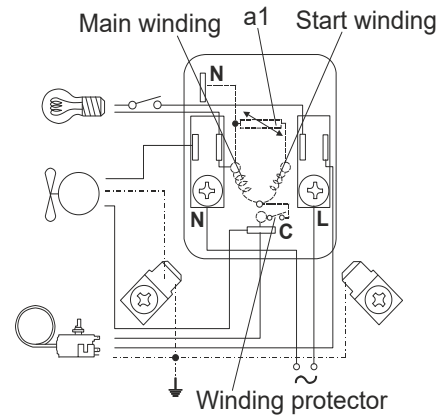
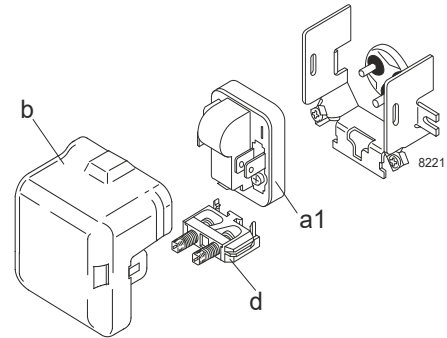
Designation	<b>SC10G</b>	<b>220-240V/50Hz</b>	<b>Conf. 5</b>	Sales code:	<b>104G8000</b>
-------------	--------------	----------------------	----------------	-------------	-----------------

## Configuration

Motorconfiguration	RSIR
Power supply (nominal)	220-240V/50Hz 1~
Refrigerant	R134a
Application	LBP+MBP+HBP
Voltage range	187-254V
Starting torque	LST
Approvals	VDE CCC EAC

## Electrical accessories / wiring diagram

RSIR

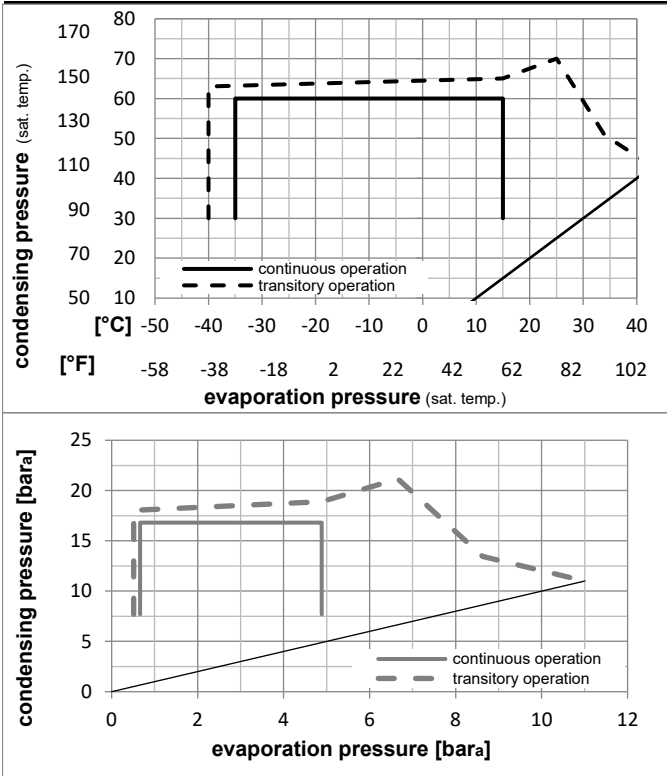


## Ambient/ machine room temperatures minimum /maximum

Ambient temperature range:	10 - 43°C / 50 - 110°F
Machine room temperature range:	10 - 48°C / 50 - 119°F
Compressor cooling:	fan 3m/s

## Operation Limits

## Operation pressure range



## Components

a1	PTC starter (220V, 250hm, 6.3mm)	103N0011
d	cord relief	103N1004
b	plastic cover	103N2009

## Model

Designation **SC10G** **220-240V/50Hz** Conf. 5 Sales code: **104G8000**

## Optimization + standard conditions

R134a, 220V/50Hz, RSIR, fan 3m/s, VDE, CCC, EAC

	Evaporating pressure (saturation temperature)				Condensing pressure (saturation temperature)			Return gas temp.	Liquid temp.	Cooling capacity	COP	EER	Power consumption			Ref. mass flow
	pe	pc	RGT	Tliq	[W]	[Btu/h]	[kcal/h]						P1	I	m	
[°C]																
[°F]																
	-23	54	32	32	167,8	573	144,4	0,86	2,95	0,74	194,1	1,44	3,26	<b>ASHRAE LBP</b>		
	-10	130	90	90												
	-25	55	32	55	113,2	386	97,4	0,63	2,14	0,54	181,0	1,41	2,71	<b>cecomaf LBP</b>		
	-13	131	90	131												
	-35	40	20	40	71,3	244	61,4	0,61	2,07	0,52	117,6	1,33	1,56	<b>EN12900 LBP</b>		
	-31	104	68	104												
	-7	54	35	46	493,8	1686	424,9	1,59	5,43	1,37	310,3	1,80	10,77	<b>ASHRAE MBP</b>		
	20	130	95	115												
	-10	55	32	55	369,4	1262	317,9	1,27	4,35	1,10	290,0	1,72	8,93	<b>cecomaf MBP</b>		
	14	131	90	131												
	-10	45	20	45	437,8	1495	376,8	1,61	5,49	1,38	272,4	1,67	10,25	<b>EN12900 MBP</b>		
	14	113	68	113												

## Performance tables

R134a, 220V/50Hz, RSIR, fan 3m/s, VDE, CCC, EAC

	pe		Cooling capacity			COP	EER	P1	I	m	
	[°C]	[°F]	[W]	[Btu/h]	[kcal/h]	[W/W]	[Btu/Wh]	[kcal/Wh]	[W]	[A]	[kg/h]
[°C / °F]	-35	-31	53,5	183	46,1	0,49	1,69	0,43	108,3	1,31	1,16
cond. pressure	-25	-13	166,6	569	143,4	0,91	3,12	0,79	182,5	1,42	3,61
pc= 45/113	-15	5	343,0	1171	295,2	1,40	4,79	1,21	244,7	1,57	7,48
return gas temp.	-10	14	454,2	1551	390,9	1,67	5,69	1,43	272,4	1,67	9,94
RGT= 32/90	0	32	721,0	2462	620,5	2,23	7,62	1,92	323,3	1,87	15,94
liquid temp	5	41	876,0	2992	753,9	2,52	8,61	2,17	347,3	1,97	19,50
Tliq= 45/113	15	59	1227,7	4193	1056,5	3,11	10,63	2,68	394,6	2,18	27,81
[°C / °F]	-35	-31	23,3	80	20,1	0,25	0,85	0,22	93,4	1,29	0,56
cond. pressure	-25	-13	113,2	386	97,4	0,63	2,14	0,54	181,0	1,41	2,71
pc= 55/131	-15	5	268,2	916	230,8	1,05	3,58	0,90	256,1	1,61	6,46
return gas temp	-10	14	369,4	1262	317,9	1,27	4,35	1,10	290,0	1,72	8,93
RGT= 32/90	0	32	617,7	2110	531,6	1,75	5,98	1,51	352,9	1,98	15,11
liquid temp	5	41	764,2	2610	657,7	2,00	6,82	1,72	382,7	2,12	18,83
Tliq= 55/131	15	59	1100,2	3757	946,8	2,49	8,52	2,15	441,2	2,40	27,63



# SC Compressors





# SC Compressors

## Service/Repair – R290



8545



Secop accepts no responsibility for possible errors in catalogs, brochures, and other printed material. Secop reserves the right to alter its products without notice. This also applies to products already on order provided that such alterations can be made without subsequent changes being necessary to specifications already agreed. All trademarks in this material are the property of the respective companies. Secop and the Secop logotype are trademarks of Secop GmbH. All rights reserved. [www.secop.com](http://www.secop.com)