

Single Pack SC12DL 220-240V 50Hz CSIR

Single pack code number: **195B4042**

Position	Title	Code	Amount
1	Compressor SC12DL	104L2625	1
2	Starting relay	117U6019	1
3	Starting capacitor (80 μ F 220V, 6.3mm)	117U5017	1
4	Cord relief	103N1004	1
5	Cover	103N2009	1
6	Bolt joint for one compressor M6 \varnothing 16mm	118-1917	1

Secop GmbH • Lise-Meitner-Straße 29 • 24941 Flensburg, Germany • Tel: +49 461 4941 0 • www.secop.com

Secop accepts no responsibility for possible errors in catalogs, brochures, and other printed material. Secop reserves the right to alter its products without notice. This also applies to products already on order provided that such alterations can be made without subsequent changes being necessary to specifications already agreed. All trademarks in this material are the property of the respective companies. Secop and the Secop logotype are trademarks of Secop GmbH. All rights reserved.

Model

Designation	SC12DL	220-240V/50Hz 1~	Sales code:	104L2625
-------------	---------------	------------------	-------------	-----------------

Compressor design

Oil type	Polyolester	Refrigerant(s)	R404A, R507, R407C
Oil viscosity	32cST	Displacement	12,87cm ³ / 0,79cu.in
Oil quantity	550cm ³ / 18,6fl.oz	Compressors on pallet	80
Refr. charge - tech. limit	1300g / 45,9oz		
Free gas volume comp.	1460cm ³ / 49,4fl.oz		
Weight	13,6kg / 30lbs		
Motor protection	1# internal		
Winding resistance main	3,7Ω (at 25°C)		
Winding resistance aux	14Ω (at 25°C)		
Max. winding temp.	125°C / 257°F		
Max. discharge temp.	130°C / 266°F		



General - Configurations with SC12DL

	Conf. 1
Motorconfiguration	CSIR
Power supply (nominal)	220-240V/50Hz
Number of phases	1
Voltage range	198-254V
Approvals	CCC, EAC, VDE
Starting torque	HST
Note	- / -

Applications with SC12DL

	Conf. 1
Refrigerant	R404A
Application	HBP
System cooling	fan 3m/s
Hot gas defrost	OK
Long interval pull down	OK

Electrical data - Configurations with SC12DL

	Conf. 1
Starting device type	relay
Run capacitor	- / -
Start capacitor	80μF
LRA (locked rotor amps / 4s)	20,43A
RLA (rated load amps / 1s)	3,9A
Cut in current	20,43A

Model

Designation

SC12DL

220-240V/50Hz 1~

Sales code:

104L2625

Compressor dimensions

Housing	A Height	219mm / 8,62in
	B Height	213mm / 8,39in
	C Length shell	218mm / 8,58in
	D Length w. cover	255mm / 10,04in
	E Width	151mm / 5,94in

Connectors	Suction X	Discharge Y	Process Z
Diameter [mm]	øi 10,11-10,29	øi 6,11-6,29	øi 6,11-6,29
(i:inside, o:outside) [in]	øi 0,4-0,41	øi 0,24-0,25	øi 0,24-0,25
Material	copper	copper	copper
Horizontal angle ±2°	37°	37°	143°
Vertical angle ±2°	30°	0°	150°
Position l/h/w [mm]	107/193/55	115/110/63	-107/193/55
[in]	4,2/7,6/2,2	4,5/4,3/2,5	-4,2/7,6/2,2
Straight tube l. [mm]	12	12	12
[in]	0,5	0,5	0,5



Compressor fixation



Bolt joint



Snap-on



Mounting accessories

Mounting accessories	one comp.	multi pack
Bolt joint M6 ø16mm	118-1917	118-1918
Bolt joint ø1/4" ø16mm	118-1946	
Bolt joint ø1/4" ø19mm	118-1949	
Snap-on ø7,3 ø16mm	118-1947	118-1919

Application notes

Provision for PE Grounding is located at the PE Stamp on the compressor

Model

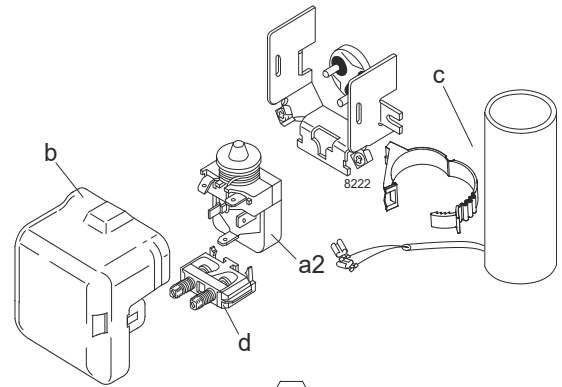
Designation	SC12DL	220-240V/50Hz	Conf. 1	Sales code:	104L2625
-------------	---------------	----------------------	----------------	-------------	-----------------

Configuration

Motorconfiguration	CSIR
Power supply (nominal)	220-240V/50Hz 1~
Refrigerant	R404A
Application	HBP
Voltage range	198-254V
Starting torque	HST
Approvals	CCC EAC VDE

Electrical accessories / wiring diagram

CSIR

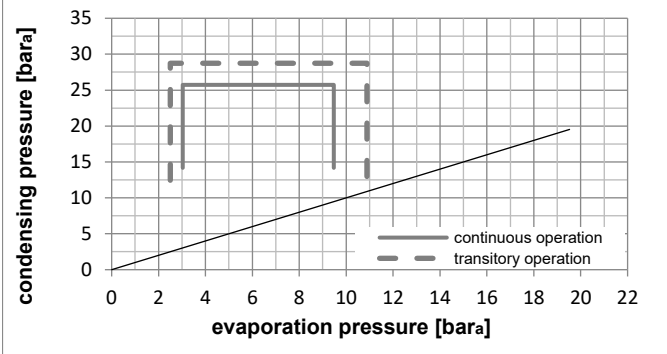
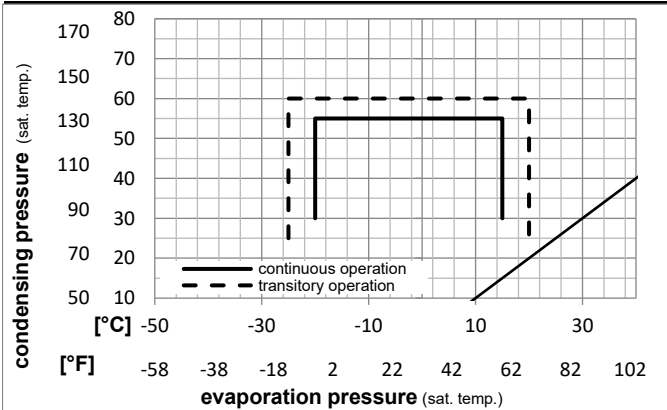


Ambient/ machine room temperatures minimum /maximum

Ambient temperature range:	10 - 38°C / 50 - 101°F
Machine room temperature range:	10 - 43°C / 50 - 110°F
Compressor cooling:	fan 3m/s

Operation Limits

Operation pressure range



Components

a2	relay	117U6019
c	start capacitor (80μF)	117U5017
d	cord relief	103N1004
b	plastic cover	103N2009

Model

Designation **SC12DL** **220-240V/50Hz** Conf. 1 Sales code: **104L2625**

Optimization + standard conditions

R404A, 220V/50Hz, CSIR, fan 3m/s, CCC, EAC, VDE

		Evaporating pressure (saturation temperature)				Condensing pressure (saturation temperature)			Return gas temp.			Liquid temp.			Cooling capacity			COP	EER	Power consumption			
		pe	pc	RGT	Tliq	[W]	[Btu/h]	[kcal/h]	[W/W]	[Btu/Wh]	[kcal/Wh]	P1	I	Current consumption		Ref. mass flow							
[°C]	[°F]	[°C]	[°F]	[°C]	[°F]	[W]	[Btu/h]	[kcal/h]	[W/W]	[Btu/Wh]	[kcal/Wh]	[W]	[A]	[A]	[kg/h]								
[°C]	7,2	54	35	46	1942,9	6635	1672,1	2,26	7,71	1,94	860,4	4,92	55,24	ASHRAE HBP									
[°F]	45	130	95	115																			
[°C]	5	55	32	55	1525,8	5211	1313,1	1,80	6,15	1,55	847,7	4,85	50,81	cecomaf HBP									
[°F]	41	131	90	131																			
[°C]	5	50	20	50	1583,4	5408	1362,7	1,99	6,78	1,71	797,5	4,64	54,00	EN12900 HBP									
[°F]	41	122	68	122																			
[°C]	-7	54	35	46	1123,7	3838	967,1	1,57	5,37	1,35	714,7	4,26	30,92	ASHRAE MBP									
[°F]	20	130	95	115																			
[°C]	-10	55	32	55	826,6	2823	711,4	1,23	4,21	1,06	670,5	4,08	26,46	cecomaf MBP									
[°F]	14	131	90	131																			
[°C]	-10	45	20	45	968,4	3307	833,4	1,55	5,30	1,34	623,9	3,89	29,17	EN12900 MBP									
[°F]	14	113	68	113																			

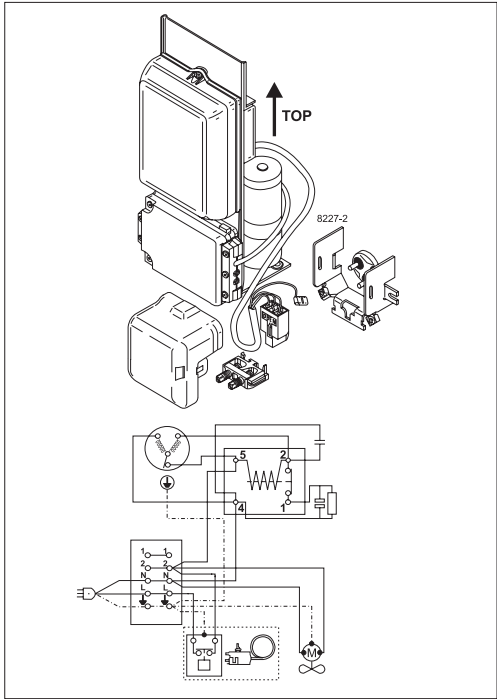
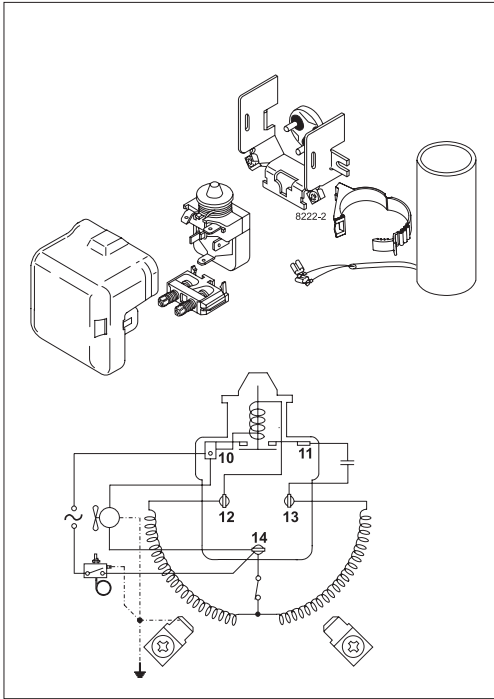
Performance tables

R404A, 220V/50Hz, CSIR, fan 3m/s, CCC, EAC, VDE

	pe		Cooling capacity			COP	EER	P1	I	m	
	[°C]	[°F]	[W]	[Btu/h]	[kcal/h]	[W/W]	[Btu/Wh]	[kcal/Wh]	[W]	[A]	[kg/h]
[°C / °F]	-20	-4	608,7	2079	523,9	1,24	4,25	1,07	489,3	3,37	16,52
cond. pressure	-15	5	805,8	2752	693,4	1,43	4,89	1,23	562,5	3,65	22,01
pc= 45/113	-10	14	1027,7	3510	884,5	1,65	5,63	1,42	623,9	3,89	28,30
return gas temp.	-5	23	1279,4	4369	1101,0	1,90	6,47	1,63	674,8	4,11	35,57
RGT= 32/90	0	32	1565,2	5345	1347,0	2,18	7,46	1,88	716,5	4,29	44,00
liquid temp	5	41	1889,8	6454	1626,4	2,52	8,60	2,17	750,4	4,44	53,84
Tliq= 45/113	15	59	2674,2	9133	2301,4	3,34	11,41	2,88	800,2	4,66	78,86
[°C / °F]	-20	-4	465,8	1591	400,9	0,95	3,23	0,81	492,6	3,41	14,66
cond. pressure	-15	5	638,7	2181	549,7	1,09	3,71	0,93	588,4	3,76	20,26
pc= 55/131	-10	14	826,6	2823	711,4	1,23	4,21	1,06	670,5	4,08	26,46
return gas temp	-5	23	1034,0	3531	889,8	1,40	4,77	1,20	740,2	4,37	33,47
RGT= 32/90	0	32	1265,5	4322	1089,1	1,58	5,41	1,36	798,8	4,62	41,50
liquid temp	5	41	1525,8	5211	1313,1	1,80	6,15	1,55	847,7	4,85	50,81
Tliq= 55/131	15	59	2151,3	7347	1851,4	2,33	7,97	2,01	921,8	5,22	74,60



SC Compressors





SC Compressors

Service/Repair – R290



8545



Secop accepts no responsibility for possible errors in catalogs, brochures, and other printed material. Secop reserves the right to alter its products without notice. This also applies to products already on order provided that such alterations can be made without subsequent changes being necessary to specifications already agreed. All trademarks in this material are the property of the respective companies. Secop and the Secop logotype are trademarks of Secop GmbH. All rights reserved. www.secop.com