

Single Pack NF5.5CLX 115-127V 60Hz CSIR

Single pack code number: **195B4076**

| Position | Title | Code | Amount |
|----------|--|----------|--------|
| 1 | Compressor NF5.5CLX | 105F1621 | 1 |
| 2 | Starting relay (overload protector MRP30AEN-6, T0772/06) | 117U4061 | 1 |
| 3 | Starting capacitor (280 μ F 125V, 6.3mm) | 117U5025 | 1 |
| 4 | Cord relief | 117U0349 | 2 |
| 5 | Cover | 117U1021 | 1 |
| 6 | Bolt joint for one compressor M6 \varnothing 16mm | 118-1917 | 1 |

Secop GmbH • Lise-Meitner-Straße 29 • 24941 Flensburg, Germany • Tel: +49 461 4941 0 • www.secop.com

Secop accepts no responsibility for possible errors in catalogs, brochures, and other printed material. Secop reserves the right to alter its products without notice. This also applies to products already on order provided that such alterations can be made without subsequent changes being necessary to specifications already agreed. All trademarks in this material are the property of the respective companies. Secop and the Secop logotype are trademarks of Secop GmbH. All rights reserved.

NF5.5CLX LBP/MBP Compressor R404A/R507 115V 60Hz

General

| | |
|-----------------------|----------|
| Code number | 105F1621 |
| Approvals | UL984 |
| Compressors on pallet | 80 |

Application

| Application | LBP/MBP | | | |
|--|---------|----|-----------|--|
| Frequency | Hz | 50 | 60 | |
| Evaporating temperature | °F | - | -49 to 45 | |
| Voltage range | V | - | 95 - 135 | |
| Max. condensing temperature continuous (short) | °F | - | 122 (140) | |
| Max. winding temperature continuous (short) | °F | - | 257 (275) | |

Cooling requirements

| Frequency | Hz | 50 | | | 60 | | |
|--|----|-----|-----|-----|----------------|----------------|-----|
| Application | | LBP | MBP | HBP | LBP | MBP | HBP |
| 90°F | | - | - | - | F ₂ | F ₂ | - |
| 100°F | | - | - | - | F ₂ | F ₂ | - |
| 110°F | | - | - | - | F ₂ | F ₂ | - |
| Remarks on application: MBP 108 - 135V, 60Hz | | | | | | | |

Motor

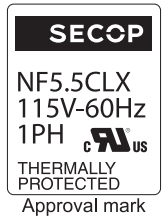
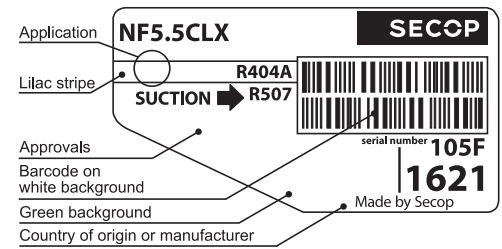
| Motor type | CSIR | | |
|---|------|------|-----|
| LRA (rated after 4 sec. UL984), HST LST | A | 30.0 | - |
| Cut in Current, HST LST | A | 30.0 | - |
| Resistance, main start winding (77°F) | Ω | 1.9 | 6.6 |

Design

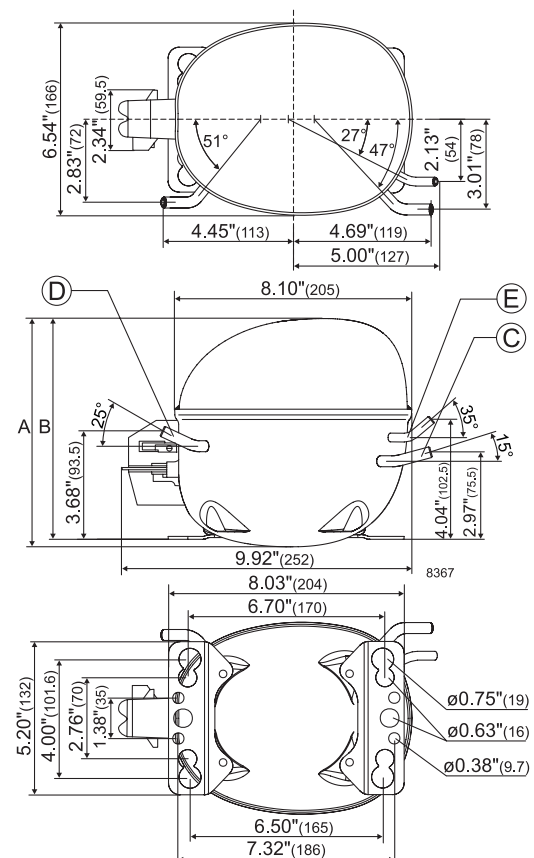
| | | |
|-------------------------------------|--------|---------------------|
| Displacement | cu.in | 0.37 |
| Oil quantity (type) | fl.oz. | 10.14 (polyolester) |
| Maximum refrigerant charge | oz. | 14.0 |
| Free gas volume in compressor | fl.oz. | 76.9 |
| Weight without electrical equipment | lbs. | 22.2 |

Dimensions

| Height | inch | A | 8.00 |
|----------------------|----------------------------|----|----------------------|
| | | B | 7.76 |
| | | B1 | - |
| | | B2 | - |
| Suction connector | location, I.D. in. angle | C | 0.320-0.327 15° |
| | material comment | | Copper Rubber plug |
| Process connector | location, I.D. in. angle | D | 0.252-0.259 25° |
| | material comment | | Copper Rubber plug |
| Discharge connector | location, I.D. in. angle | E | 0.252-0.259 35° |
| | material comment | | Copper Rubber plug |
| Oil cooler connector | location, I.D. in. angle | F | - |
| | material comment | | - |
| Remarks: | | | |



- S = Static cooling normally sufficient
- O = Oil cooling
- F₁ = Fan cooling 1.5 m/s
(compressor compartment temperature equal to ambient temperature)
- F₂ = Fan cooling 3.0 m/s necessary
- SG = Suction gas cooling normally sufficient
- = not applicable in this area



ASHRAE LBP*

115V, 60Hz, fan cooling F₂

| | | | | | | | | | | | | | | | | | |
|--------------------|------|------|------|------|------|------|------|------|------|------|------|------|------|------|----|----|----|
| Evap. temp. in °F | -49 | -40 | -30 | -20 | -13 | -10 | 0 | 10 | 14 | 20 | 30 | 32 | 40 | 45 | 50 | 59 | 68 |
| Capacity in BTU/h | 398 | 565 | 788 | 1056 | 1274 | 1376 | 1756 | 2202 | 2401 | 2723 | 3325 | 4017 | 4092 | 4399 | | | |
| Power cons. in W | 155 | 185 | 219 | 253 | 277 | 288 | 324 | 362 | 378 | 404 | 449 | 498 | 503 | 524 | | | |
| Current cons. in A | 3.35 | 3.43 | 3.54 | 3.69 | 3.82 | 3.88 | 4.09 | 4.34 | 4.45 | 4.63 | 4.94 | 5.29 | 5.33 | 5.48 | | | |
| EER in BTU/Wh | 2.57 | 3.05 | 3.59 | 4.17 | 4.60 | 4.78 | 5.42 | 6.08 | 6.35 | 6.75 | 7.41 | 8.07 | 8.13 | 8.39 | | | |

ASHRAE MBP

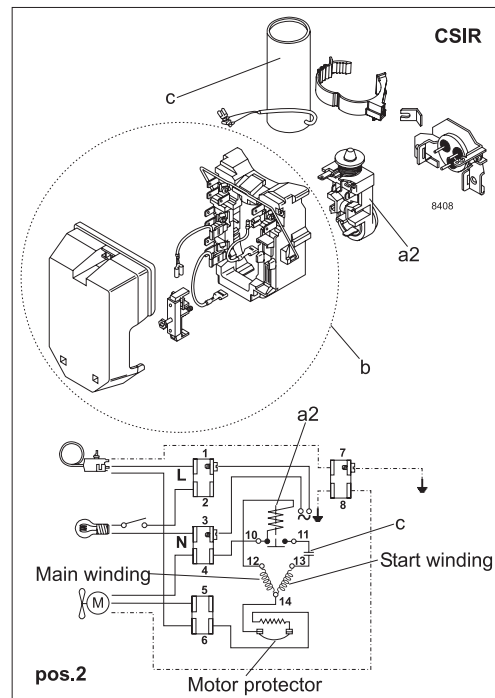
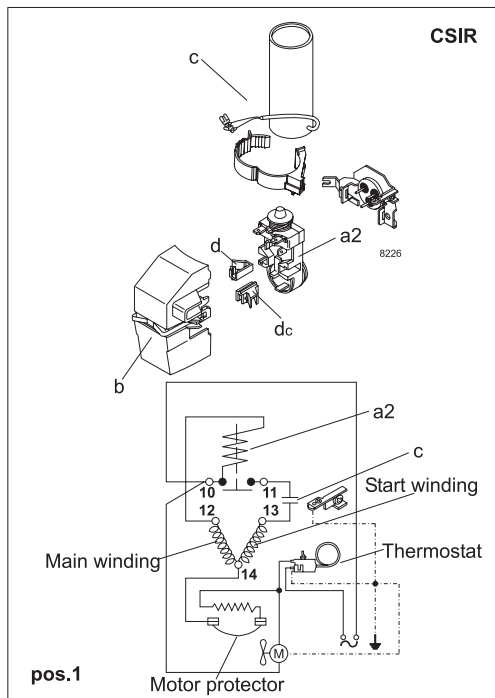
115V, 60Hz, fan cooling F₂

| | | | | | | | | | | | | | | | | | |
|--------------------|------|------|------|------|------|------|------|------|------|------|------|------|------|------|----|----|----|
| Evap. temp. in °F | -49 | -40 | -30 | -20 | -13 | -10 | 0 | 10 | 14 | 20 | 30 | 32 | 40 | 45 | 50 | 59 | 68 |
| Capacity in BTU/h | 261 | 397 | 579 | 799 | 980 | 1065 | 1384 | 1763 | 1933 | 2209 | 2730 | 3334 | 3399 | 3669 | | | |
| Power cons. in W | 142 | 179 | 218 | 257 | 285 | 297 | 338 | 382 | 400 | 428 | 477 | 530 | 536 | 559 | | | |
| Current cons. in A | 3.32 | 3.42 | 3.57 | 3.75 | 3.90 | 3.96 | 4.21 | 4.49 | 4.62 | 4.81 | 5.16 | 5.54 | 5.58 | 5.74 | | | |
| EER in BTU/Wh | 1.83 | 2.22 | 2.65 | 3.11 | 3.44 | 3.58 | 4.09 | 4.62 | 4.84 | 5.17 | 5.72 | 6.29 | 6.34 | 6.56 | | | |

EN 12900 Household (CECOMAF)

115V, 60Hz, fan cooling F₂

| | | | | | | | | | | | | | | | | | |
|--------------------|------|------|------|------|------|------|------|------|------|------|------|------|------|------|----|----|----|
| Evap. temp. in °F | -49 | -40 | -30 | -20 | -13 | -10 | 0 | 10 | 14 | 20 | 30 | 32 | 40 | 45 | 50 | 59 | 68 |
| Capacity in BTU/h | 332 | 477 | 669 | 901 | 1089 | 1177 | 1504 | 1889 | 2060 | 2337 | 2854 | 3446 | 3510 | 3772 | | | |
| Power cons. in W | 153 | 185 | 219 | 254 | 279 | 290 | 327 | 366 | 382 | 408 | 454 | 504 | 509 | 530 | | | |
| Current cons. in A | 3.35 | 3.43 | 3.55 | 3.70 | 3.83 | 3.89 | 4.11 | 4.37 | 4.48 | 4.65 | 4.98 | 5.33 | 5.37 | 5.52 | | | |
| EER in BTU/Wh | 2.17 | 2.58 | 3.05 | 3.54 | 3.91 | 4.06 | 4.61 | 5.17 | 5.39 | 5.73 | 6.29 | 6.84 | 6.90 | 7.11 | | | |



| Accessories for | NF5.5CLX | Figure | Code number |
|---|------------------------|-----------|-------------|
| Starting relay | 1/4 in. spade connect. | a2 | 117U4061 |
| Protector 3/4 in. | Texas Instruments | | MRP30AEN-6 |
| Cover (standard) | | b | 117U1021 |
| Cord relief | | d | 117U0349 |
| Cord relief for capacitor | | dc | 117U0349 |
| Cover (alternative) with terminal board | | b (pos.2) | 117U1024 |
| Start. capacitor 280 µF | 1/4 in. spade connect. | c | 117U5025 |

| Test conditions | ASHRAE LBP* | ASHRAE MBP | EN 12900/CECOMAF |
|--------------------|-------------|------------|------------------|
| Condensing temp. | 110°F | 130°F | 113°F |
| Ambient temp. | 90°F | 95°F | 90°F |
| Suction gas temp. | 90°F | 95°F | 90°F |
| Liquid temperature | 90°F | 115°F | 113°F |

| Mounting accessories | Code number | |
|--------------------------|-------------|----------|
| Bolt joint for one comp. | Ø: 5/8 in. | 118-1917 |
| Bolt joint in quantities | Ø: 5/8 in. | 118-1918 |
| Snap-on in quantities | Ø: 5/8 in. | 118-1919 |

Secop accepts no responsibility for possible errors in catalogs, brochures, and other printed material. Secop reserves the right to alter its products without notice. This also applies to products already on order provided that such alterations can be made without subsequential changes being necessary to specifications already agreed. All trademarks in this material are the property of the respective companies. Secop and the Secop logotype are trademarks of Secop GmbH. All rights reserved. www.secop.com



NF Compressors





8238-23



Secop accepts no responsibility for possible errors in catalogs, brochures, and other printed material. Secop reserves the right to alter its products without notice. This also applies to products already on order provided that such alterations can be made without subsequential changes being necessary to specifications already agreed. All trademarks in this material are the property of the respective companies. Secop and the Secop logotype are trademarks of Secop GmbH. All rights reserved. www.secop.com