

Single Pack NLE8.8CN 220-240V 50Hz CSIR

Single pack code number: **195B4103**

| Position | Title | Code | Amount |
|----------|---|----------|--------|
| 1 | Compressor NLE8.8CN | 105H6880 | 1 |
| 2 | Starting relay | 117U7002 | 1 |
| 3 | Starting capacitor (80 μ F 220V, 6.3mm) | 117U5015 | 1 |
| 4 | Cord relief | 103N1010 | 1 |
| 5 | Cover | 103N2010 | 1 |
| 6 | Bolt joint for one compressor M6 \varnothing 16mm | 118-1917 | 1 |

Secop GmbH • Lise-Meitner-Straße 29 • 24941 Flensburg, Germany • Tel: +49 461 4941 0 • www.secop.com

Secop accepts no responsibility for possible errors in catalogs, brochures, and other printed material. Secop reserves the right to alter its products without notice. This also applies to products already on order provided that such alterations can be made without subsequent changes being necessary to specifications already agreed. All trademarks in this material are the property of the respective companies. Secop and the Secop logotype are trademarks of Secop GmbH. All rights reserved.

Model

| | | | | |
|-------------|-----------------|------------------|-------------|-----------------|
| Designation | NLE8.8CN | 220-240V/50Hz 1~ | Sales code: | 105H6880 |
|-------------|-----------------|------------------|-------------|-----------------|

Compressor design

| | | | |
|----------------------------|---------------------------------|-----------------------|---------------------------------|
| Oil type | Polyolester | Refrigerant(s) | R290 |
| Oil viscosity | 19,2cST | Displacement | 8,76cm ³ / 0,53cu.in |
| Oil quantity | 265cm ³ / 9fl.oz | Compressors on pallet | 80 |
| Refr. charge - tech. limit | 400g / 14,1oz | | |
| Free gas volume comp. | 2360cm ³ / 79,8fl.oz | | |
| Weight | 10,9kg / 24lbs | | |
| Motor protection | 1# internal | | |
| Winding resistance main | 9,28Ω (at 25°C) | | |
| Winding resistance aux | 11,64Ω (at 25°C) | | |
| Max. winding temp. | 125°C / 257°F | | |
| Max. discharge temp. | 120°C / 248°F | | |



General - Configurations with NLE8.8CN

| | Conf. 1 | Conf. 2 | Conf. 3 |
|------------------------|----------------|----------------|----------------|
| Motorconfiguration | CSIR | RSIR | RSCR |
| Power supply (nominal) | 220-240V/50Hz | 220-240V/50Hz | 220-240V/50Hz |
| Number of phases | 1 | 1 | 1 |
| Voltage range | 198-254V | 198-254V | 198-254V |
| Approvals | VDE, CCC | VDE, CCC | VDE, CCC |
| Starting torque | HST | LST | LST |
| Note | - / - | | |

Applications with NLE8.8CN

| | Conf. 1 | Conf. 2 | Conf. 3 |
|-------------------------|----------------|----------------|----------------|
| Refrigerant | R290 | R290 | R290 |
| Application | LBP+MBP | LBP+MBP | LBP+MBP |
| System cooling | fan 3m/s | fan 3m/s | fan 3m/s |
| Hot gas defrost | OK | OK | OK |
| Long interval pull down | OK | OK | OK |

Electrical data - Configurations with NLE8.8CN

| | Conf. 1 | Conf. 2 | Conf. 3 |
|------------------------------|----------------|----------------|----------------|
| Starting device type | relay | PTC | PTC |
| Run capacitor | -/- | -/- | 4μF |
| Start capacitor | 80μF | -/- | -/- |
| LRA (locked rotor amps / 4s) | 11,3A | 10,7A | 10,1A |
| RLA (rated load amps / 1s) | 2,15A | 2,15A | 2,05A |
| Cut in current | 11,3A | 15,9A | 15,9A |

Model

Designation

NLE8.8CN

220-240V/50Hz 1~

Sales code:

105H6880

Compressor dimensions

| Housing | A Height | 203mm / 7,99in |
|---------|-------------------|----------------|
| | B Height | 197mm / 7,76in |
| | C Length shell | 205mm / 8,07in |
| | D Length w. cover | 254mm / 10in |
| | E Width | 166mm / 6,54in |

| Connectors | | Suction | Discharge | Process |
|------------------|----------------------------|--------------|--------------|--------------|
| | | X | Y | Z |
| Diameter | [mm] | øi 8,11-8,29 | øi 6,11-6,29 | øi 6,11-6,29 |
| | (i:inside, o:outside) [in] | øi 0,32-0,33 | øi 0,24-0,25 | øi 0,24-0,25 |
| Material | | copper | copper | copper |
| Horizontal angle | ±2° | 0° | 0° | 0° |
| Vertical angle | ±2° | 15° | 21° | 155° |
| Position l/h/w | [mm] | 132/69/57 | 94/102/81 | -109/94/72 |
| | [in] | 5,2/2,7/2,2 | 3,7/4/3,2 | -4,3/3,7/2,8 |
| Straight tube l. | [mm] | 12 | 12 | 12 |
| | [in] | 0,5 | 0,5 | 0,5 |



Compressor fixation



| Baseplate | [mm] | [inch] |
|-------------|------|--------|
| BI | 204 | 8.03 |
| BW | 100 | 3.94 |
| Small holes | | |
| SI | 170 | 6.7 |
| SW | 70 | 2.76 |
| S2l | 178 | 7 |
| øS | ø 16 | ø 0.63 |

Bolt joint



Snap-on



Mounting accessories

| | one comp. | multi pack |
|----------------------------|-----------|------------|
| Bolt joint M6 ø16mm | 118-1917 | 118-1918 |
| Bolt joint ø1/4" ø16mm | 118-1946 | |
| Snap-on ø7,3 ø16mm | 118-1947 | 118-1919 |

Application notes

Provision for PE Grounding is located at the PE Stamp on the compressor

Model

| | | | | | |
|-------------|-----------------|----------------------|---------|-------------|-----------------|
| Designation | NLE8.8CN | 220-240V/50Hz | Conf. 1 | Sales code: | 105H6880 |
|-------------|-----------------|----------------------|---------|-------------|-----------------|

Configuration

| | |
|------------------------|------------------|
| Motorconfiguration | CSIR |
| Power supply (nominal) | 220-240V/50Hz 1~ |
| Refrigerant | R290 |
| Application | LBP+MBP |
| Voltage range | 198-254V |
| Starting torque | HST |
| Approvals | VDE |
| | CCC |

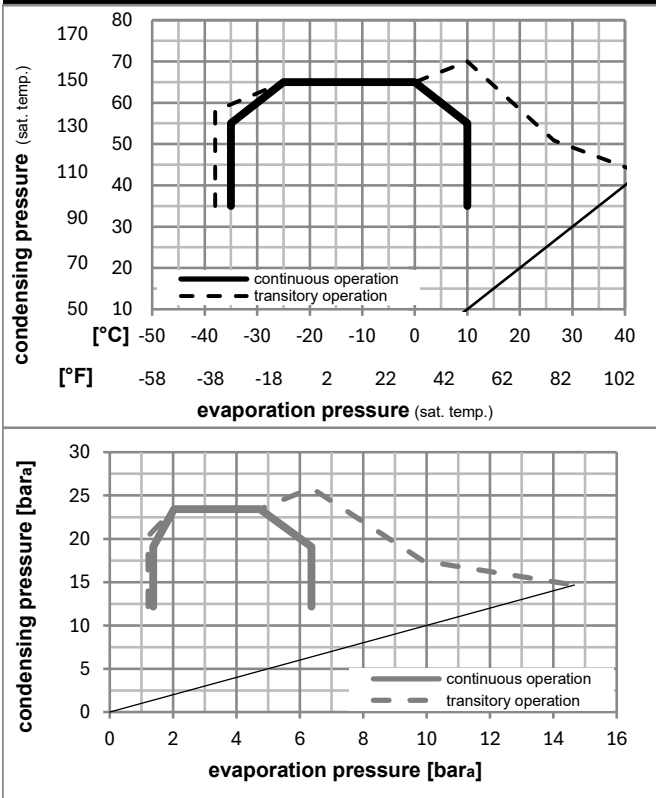
Electrical accessories / wiring diagram



Ambient/ machine room temperatures minimum /maximum

| | |
|---------------------------------|------------------------|
| Ambient temperature range: | 10 - 43°C / 50 - 110°F |
| Machine room temperature range: | 10 - 48°C / 50 - 119°F |
| Compressor cooling: | fan 3m/s |

Operation pressure range



Components

| | | |
|----|------------------------|----------|
| a2 | relay | 117U7002 |
| c | start capacitor (80µF) | 117U5015 |
| b | plastic cover | 103N2010 |
| d | cord relief | 103N1010 |

Alternative components

| | | |
|---|------------------------|----------|
| c | start capacitor (80µF) | 117U5079 |
| b | plastic cover | 103N2011 |

Model

Designation **NLE8.8CN** **220-240V/50Hz** Conf. 1 Sales code: **105H6880**

Optimization + standard conditions

R290, 220V/50Hz, CSIR, fan 3m/s, VDE, CCC

| | Evaporating pressure (saturation temperature) | | | | Cooling capacity | | | COP | EER | P1 | Power consumption | | ASHRAE LBP | |
|--|---|------|------|------|------------------|---------|----------|-------|----------|-----------|-------------------|------|------------|-------------|
| | pe | pc | RGT | Tliq | [W] | [Btu/h] | [kcal/h] | | | | I | m | | |
| | [°C] | [°F] | [°C] | [°F] | [W] | [Btu/h] | [kcal/h] | [W/W] | [Btu/Wh] | [kcal/Wh] | [W] | [A] | [kg/h] | |
| | -23 | 54 | 32 | 32 | 429,7 | 1468 | 369,8 | 1,56 | 5,34 | 1,35 | 274,9 | 1,76 | 4,35 | ASHRAE LBP |
| | -10 | 130 | 90 | 90 | | | | | | | | | | |
| | -25 | 55 | 32 | 55 | 321,7 | 1099 | 276,9 | 1,22 | 4,16 | 1,05 | 264,4 | 1,73 | 4,01 | cecomaf LBP |
| | -13 | 131 | 90 | 131 | | | | | | | | | | |
| | -35 | 40 | 20 | 40 | 255,5 | 873 | 219,9 | 1,26 | 4,30 | 1,08 | 203,2 | 1,55 | 2,92 | EN12900 LBP |
| | -31 | 104 | 68 | 104 | | | | | | | | | | |
| | -7 | 54 | 35 | 46 | 752,3 | 2569 | 647,4 | 1,98 | 6,75 | 1,70 | 380,8 | 2,15 | 8,58 | ASHRAE MBP |
| | 20 | 130 | 95 | 115 | | | | | | | | | | |
| | -10 | 55 | 32 | 55 | 598,8 | 2045 | 515,3 | 1,65 | 5,64 | 1,42 | 362,3 | 2,08 | 7,57 | cecomaf MBP |
| | 14 | 131 | 90 | 131 | | | | | | | | | | |
| | -10 | 45 | 20 | 45 | 669,9 | 2288 | 576,6 | 2,05 | 7,01 | 1,77 | 326,5 | 1,95 | 8,23 | EN12900 MBP |
| | 14 | 113 | 68 | 113 | | | | | | | | | | |

Performance tables

R290, 220V/50Hz, CSIR, fan 3m/s, VDE, CCC

| | pe | | Cooling capacity | | | COP | EER | | P1 | I | m |
|------------------|------|------|------------------|---------|----------|------|----------|-----------|-------|------|-------|
| | [°C] | [°F] | [W] | [Btu/h] | [kcal/h] | | [Btu/Wh] | [kcal/Wh] | | | |
| [°C / °F] | -35 | -31 | 248,0 | 847 | 213,4 | 1,20 | 4,10 | 1,03 | 206,5 | 1,56 | 2,78 |
| cond. pressure | -25 | -13 | 384,8 | 1314 | 331,2 | 1,51 | 5,16 | 1,30 | 254,8 | 1,70 | 4,34 |
| pc= 45/113 | -15 | 5 | 576,2 | 1968 | 495,9 | 1,90 | 6,48 | 1,63 | 303,6 | 1,86 | 6,56 |
| return gas temp. | -10 | 14 | 697,4 | 2382 | 600,2 | 2,14 | 7,29 | 1,84 | 326,5 | 1,95 | 7,98 |
| RGT= 32/90 | 0 | 32 | 1001,2 | 3419 | 861,7 | 2,73 | 9,34 | 2,35 | 366,2 | 2,10 | 11,61 |
| liquid temp | 5 | 41 | 1187,9 | 4057 | 1022,3 | 3,11 | 10,63 | 2,68 | 381,8 | 2,16 | 13,90 |
| Tliq= 45/113 | 10 | 50 | 1400,4 | 4783 | 1205,2 | 3,56 | 12,16 | 3,06 | 393,5 | 2,21 | 16,55 |
| [°C / °F] | -35 | -31 | 189,1 | 646 | 162,8 | 0,94 | 3,21 | 0,81 | 201,2 | 1,54 | 2,34 |
| cond. pressure | -25 | -13 | 321,7 | 1099 | 276,9 | 1,22 | 4,16 | 1,05 | 264,4 | 1,73 | 4,01 |
| pc= 55/131 | -15 | 5 | 493,3 | 1685 | 424,5 | 1,49 | 5,10 | 1,29 | 330,1 | 1,96 | 6,20 |
| return gas temp | -10 | 14 | 598,8 | 2045 | 515,3 | 1,65 | 5,64 | 1,42 | 362,3 | 2,08 | 7,57 |
| RGT= 32/90 | 0 | 32 | 859,5 | 2935 | 739,7 | 2,04 | 6,95 | 1,75 | 422,2 | 2,32 | 11,04 |
| liquid temp | 5 | 41 | 1018,8 | 3479 | 876,8 | 2,27 | 7,76 | 1,95 | 448,6 | 2,43 | 13,21 |
| Tliq= 55/131 | 10 | 50 | 1200,1 | 4099 | 1032,8 | 2,54 | 8,69 | 2,19 | 471,7 | 2,53 | 15,74 |

Model

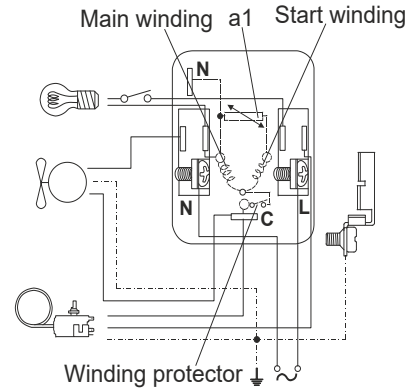
| | | | | | |
|-------------|-----------------|----------------------|----------------|-------------|-----------------|
| Designation | NLE8.8CN | 220-240V/50Hz | Conf. 2 | Sales code: | 105H6880 |
|-------------|-----------------|----------------------|----------------|-------------|-----------------|

Configuration

| | |
|------------------------|------------------|
| Motorconfiguration | RSIR |
| Power supply (nominal) | 220-240V/50Hz 1~ |
| Refrigerant | R290 |
| Application | LBP+MBP |
| Voltage range | 198-254V |
| Starting torque | LST |
| Approvals | VDE CCC |

Electrical accessories / wiring diagram

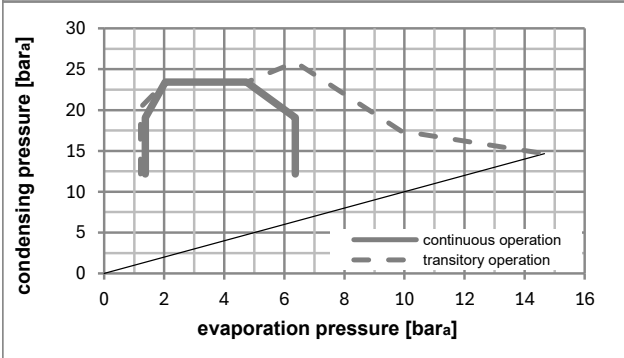
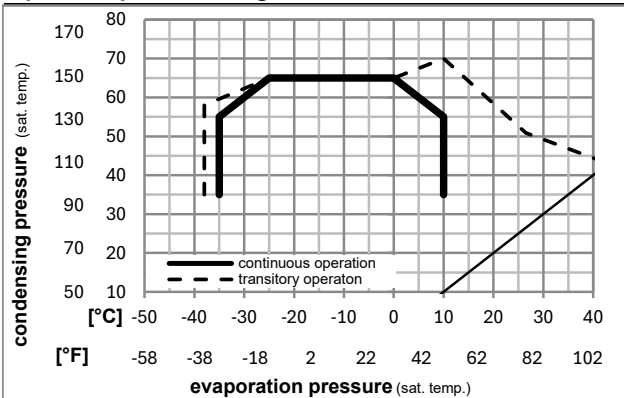
RSIR



Ambient/ machine room temperatures minimum /maximum

| | |
|---------------------------------|------------------------|
| Ambient temperature range: | 10 - 43°C / 50 - 110°F |
| Machine room temperature range: | 10 - 48°C / 50 - 119°F |
| Compressor cooling: | fan 3m/s |

Operation pressure range



Components

| | | |
|----|------------------------------------|----------|
| a1 | e-PTC starter (220V, 25Ohm, 4.8mm) | 103N0050 |
| b | plastic cover | 103N2010 |
| d | cord relief | 103N1010 |

Alternative components

| | | |
|---|---------------|----------|
| b | plastic cover | 103N2011 |
|---|---------------|----------|

Model

| | | | | | |
|-------------|-----------------|----------------------|----------------|-------------|-----------------|
| Designation | NLE8.8CN | 220-240V/50Hz | Conf. 2 | Sales code: | 105H6880 |
|-------------|-----------------|----------------------|----------------|-------------|-----------------|

Optimization + standard conditions

R290, 220V/50Hz, RSIR, fan 3m/s, VDE, CCC

| | | Evaporating pressure (saturation temperature) | | | | Condensing pressure (saturation temperature) | | | Return gas temp. | | Liquid temp. | | Cooling capacity | | | COP | EER | Power consumption | | | |
|------|------|---|-----|-----|------|--|---------|----------|------------------|----------|--------------|------|------------------|---------------------|------|----------------|-----|-------------------|--|-------------|--|
| | | pe | pc | RGT | Tliq | [W] | [Btu/h] | [kcal/h] | [W/W] | [Btu/Wh] | [kcal/Wh] | P1 | I | Current consumption | | Ref. mass flow | | | | | |
| [°C] | [°F] | | | | | | | | | | | [W] | [A] | [A] | | [kg/h] | | | | | |
| -23 | -10 | 54 | 130 | 32 | 90 | 32 | 90 | 429,7 | 1468 | 369,8 | 1,56 | 5,34 | 1,35 | 274,9 | 1,76 | 4,35 | | | | ASHRAE LBP | |
| -25 | -13 | 55 | 131 | 32 | 90 | 55 | 131 | 321,7 | 1099 | 276,9 | 1,22 | 4,16 | 1,05 | 264,4 | 1,73 | 4,01 | | | | cecomaf LBP | |
| -35 | -31 | 40 | 104 | 20 | 68 | 40 | 104 | 255,5 | 873 | 219,9 | 1,26 | 4,30 | 1,08 | 203,2 | 1,55 | 2,92 | | | | EN12900 LBP | |
| -7 | 20 | 54 | 130 | 35 | 95 | 46 | 115 | 752,3 | 2569 | 647,4 | 1,98 | 6,75 | 1,70 | 380,8 | 2,15 | 8,58 | | | | ASHRAE MBP | |
| -10 | 14 | 55 | 131 | 32 | 90 | 55 | 131 | 598,8 | 2045 | 515,3 | 1,65 | 5,64 | 1,42 | 362,3 | 2,08 | 7,57 | | | | cecomaf MBP | |
| -10 | 14 | 45 | 113 | 20 | 68 | 45 | 113 | 669,9 | 2288 | 576,6 | 2,05 | 7,01 | 1,77 | 326,5 | 1,95 | 8,23 | | | | EN12900 MBP | |

Performance tables

R290, 220V/50Hz, RSIR, fan 3m/s, VDE, CCC

| | pe | | Cooling capacity | | | COP | EER | P1 | | | I | m |
|------------------|------|------|------------------|---------|----------|-------|----------|-----------|-------|------|--------|---|
| | [°C] | [°F] | [W] | [Btu/h] | [kcal/h] | [W/W] | [Btu/Wh] | [kcal/Wh] | [W] | [A] | [kg/h] | |
| [°C / °F] | -35 | -31 | 248,0 | 847 | 213,4 | 1,20 | 4,10 | 1,03 | 206,5 | 1,56 | 2,78 | |
| cond. pressure | -25 | -13 | 384,8 | 1314 | 331,2 | 1,51 | 5,16 | 1,30 | 254,8 | 1,70 | 4,34 | |
| pc= 45/113 | -15 | 5 | 576,2 | 1968 | 495,9 | 1,90 | 6,48 | 1,63 | 303,6 | 1,86 | 6,56 | |
| return gas temp. | -10 | 14 | 697,4 | 2382 | 600,2 | 2,14 | 7,29 | 1,84 | 326,5 | 1,95 | 7,98 | |
| RGT= 32/90 | 0 | 32 | 1001,2 | 3419 | 861,7 | 2,73 | 9,34 | 2,35 | 366,2 | 2,10 | 11,61 | |
| liquid temp | 5 | 41 | 1187,9 | 4057 | 1022,3 | 3,11 | 10,63 | 2,68 | 381,8 | 2,16 | 13,90 | |
| Tliq= 45/113 | 10 | 50 | 1400,4 | 4783 | 1205,2 | 3,56 | 12,16 | 3,06 | 393,5 | 2,21 | 16,55 | |
| [°C / °F] | -35 | -31 | 189,1 | 646 | 162,8 | 0,94 | 3,21 | 0,81 | 201,2 | 1,54 | 2,34 | |
| cond. pressure | -25 | -13 | 321,7 | 1099 | 276,9 | 1,22 | 4,16 | 1,05 | 264,4 | 1,73 | 4,01 | |
| pc= 55/131 | -15 | 5 | 493,3 | 1685 | 424,5 | 1,49 | 5,10 | 1,29 | 330,1 | 1,96 | 6,20 | |
| return gas temp | -10 | 14 | 598,8 | 2045 | 515,3 | 1,65 | 5,64 | 1,42 | 362,3 | 2,08 | 7,57 | |
| RGT= 32/90 | 0 | 32 | 859,5 | 2935 | 739,7 | 2,04 | 6,95 | 1,75 | 422,2 | 2,32 | 11,04 | |
| liquid temp | 5 | 41 | 1018,8 | 3479 | 876,8 | 2,27 | 7,76 | 1,95 | 448,6 | 2,43 | 13,21 | |
| Tliq= 55/131 | 10 | 50 | 1200,1 | 4099 | 1032,8 | 2,54 | 8,69 | 2,19 | 471,7 | 2,53 | 15,74 | |

Model

| | | | | | |
|-------------|-----------------|----------------------|----------------|-------------|-----------------|
| Designation | NLE8.8CN | 220-240V/50Hz | Conf. 3 | Sales code: | 105H6880 |
|-------------|-----------------|----------------------|----------------|-------------|-----------------|

Configuration

| | |
|------------------------|------------------|
| Motorconfiguration | RSCR |
| Power supply (nominal) | 220-240V/50Hz 1~ |
| Refrigerant | R290 |
| Application | LBP+MBP |
| Voltage range | 198-254V |
| Starting torque | LST |
| Approvals | VDE CCC |

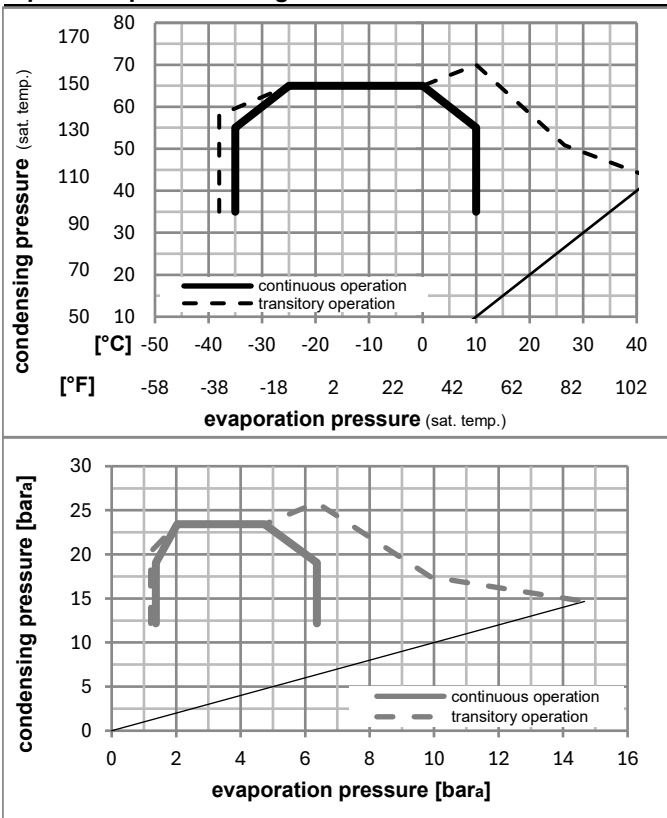
Electrical accessories / wiring diagram



Ambient/ machine room temperatures minimum /maximum

| | |
|---------------------------------|------------------------|
| Ambient temperature range: | 10 - 43°C / 50 - 110°F |
| Machine room temperature range: | 10 - 48°C / 50 - 119°F |
| Compressor cooling: | fan 3m/s |

Operation pressure range



Components

| | | |
|----|------------------------------------|----------|
| a1 | e-PTC starter (220V, 250hm, 4.8mm) | 103N0050 |
| e | run capacitor (4μF, 4.8mm) | 117-7119 |
| b | plastic cover | 103N2010 |
| d | cord relief | 103N1010 |
| | bracket for run capacitor | 117-0300 |
| | screw M4x8mm | 117-0301 |

Alternative components

| | | |
|---|---------------|----------|
| b | plastic cover | 103N2011 |
|---|---------------|----------|

Model

Designation **NLE8.8CN** **220-240V/50Hz** Conf. 3 Sales code: **105H6880**

Optimization + standard conditions

R290, 220V/50Hz, RSCR, fan 3m/s, VDE, CCC

| | | Evaporating pressure (saturation temperature) | | | | Condensing pressure (saturation temperature) | | | | | | Power consumption | | | | | |
|------|------|---|------|--------------|------|--|---------|----------|-------|----------|-----------|---------------------|------|----------------|------|------|-------------|
| | | Return gas temp. | | Liquid temp. | | Cooling capacity | | COP | EER | | P1 | Current consumption | | Ref. mass flow | | | |
| | | pe | pc | RGT | Tliq | [W] | [Btu/h] | [kcal/h] | [W/W] | [Btu/Wh] | [kcal/Wh] | [W] | I | m | | | |
| [°C] | [°F] | [°C] | [°F] | [°C] | [°F] | | | | | | | | [A] | [kg/h] | | | |
| -23 | -10 | 54 | 130 | 32 | 90 | 32 | 90 | 434,0 | 1482 | 373,5 | 1,64 | 5,62 | 1,42 | 263,8 | 1,46 | 4,40 | ASHRAE LBP |
| -25 | -13 | 55 | 131 | 32 | 90 | 55 | 131 | 324,9 | 1110 | 279,6 | 1,28 | 4,37 | 1,10 | 253,8 | 1,43 | 4,05 | cecomaf LBP |
| -35 | -31 | 40 | 104 | 20 | 68 | 40 | 104 | 258,1 | 881 | 222,1 | 1,32 | 4,49 | 1,13 | 196,2 | 1,30 | 2,95 | EN12900 LBP |
| -7 | 20 | 54 | 130 | 35 | 95 | 46 | 115 | 759,8 | 2595 | 653,9 | 2,08 | 7,10 | 1,79 | 365,6 | 1,89 | 8,67 | ASHRAE MBP |
| -10 | 14 | 55 | 131 | 32 | 90 | 55 | 131 | 604,8 | 2065 | 520,5 | 1,74 | 5,94 | 1,50 | 347,8 | 1,80 | 7,65 | cecomaf MBP |
| -10 | 14 | 45 | 113 | 20 | 68 | 45 | 113 | 676,6 | 2311 | 582,3 | 2,15 | 7,33 | 1,85 | 315,1 | 1,70 | 8,31 | EN12900 MBP |

Performance tables

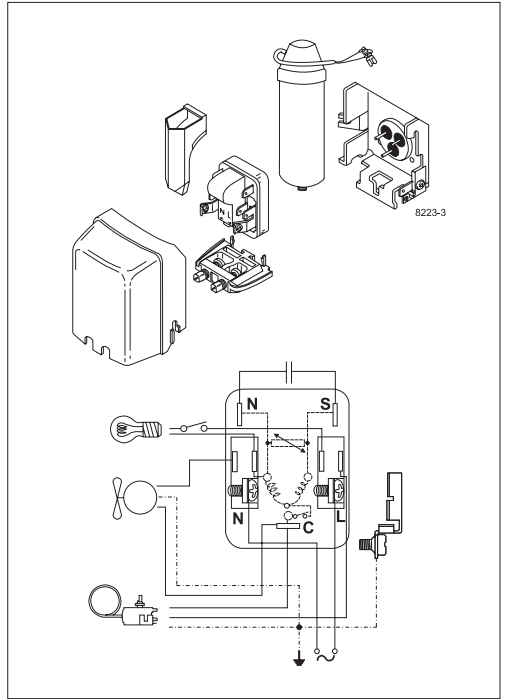
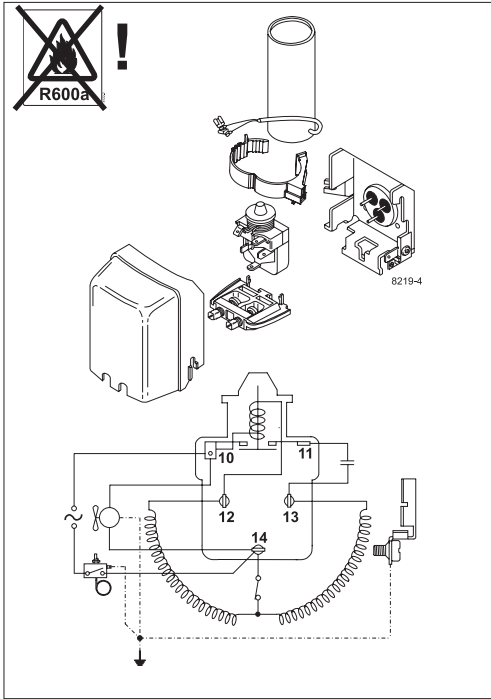
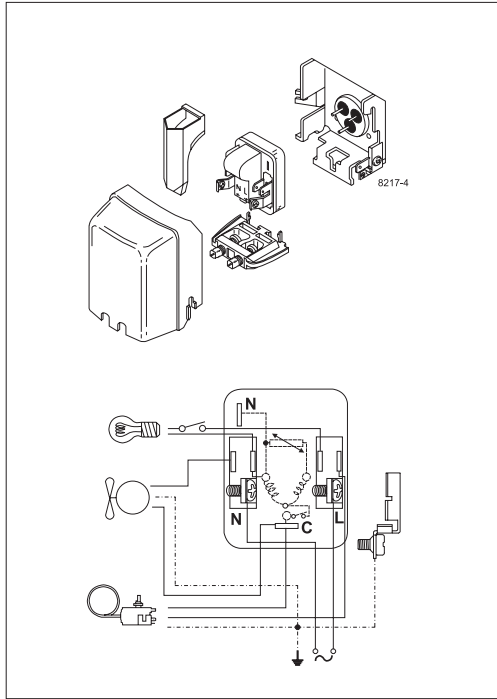
R290, 220V/50Hz, RSCR, fan 3m/s, VDE, CCC

| | pe | | Cooling capacity | | | COP | EER | | P1 | I | m |
|------------------|------|------|------------------|---------|----------|-------|----------|-----------|-------|------|--------|
| | [°C] | [°F] | [W] | [Btu/h] | [kcal/h] | [W/W] | [Btu/Wh] | [kcal/Wh] | [W] | [A] | [kg/h] |
| [°C / °F] | -35 | -31 | 250,5 | 855 | 215,6 | 1,26 | 4,30 | 1,08 | 198,8 | 1,31 | 2,81 |
| cond. pressure | -25 | -13 | 388,7 | 1327 | 334,5 | 1,58 | 5,41 | 1,36 | 245,3 | 1,42 | 4,38 |
| pc= 45/113 | -15 | 5 | 582,0 | 1988 | 500,8 | 1,99 | 6,79 | 1,71 | 292,7 | 1,60 | 6,62 |
| return gas temp. | -10 | 14 | 704,4 | 2406 | 606,2 | 2,24 | 7,64 | 1,92 | 315,1 | 1,70 | 8,06 |
| RGT= 32/90 | 0 | 32 | 1011,2 | 3454 | 870,3 | 2,86 | 9,76 | 2,46 | 353,7 | 1,89 | 11,73 |
| liquid temp | 5 | 41 | 1199,8 | 4097 | 1032,5 | 3,26 | 11,12 | 2,80 | 368,6 | 1,97 | 14,04 |
| Tliq= 45/113 | 10 | 50 | 1414,4 | 4831 | 1217,3 | 3,73 | 12,72 | 3,21 | 379,7 | 2,02 | 16,71 |
| [°C / °F] | -35 | -31 | 191,0 | 652 | 164,4 | 0,99 | 3,37 | 0,85 | 193,5 | 1,26 | 2,36 |
| cond. pressure | -25 | -13 | 324,9 | 1110 | 279,6 | 1,28 | 4,37 | 1,10 | 253,8 | 1,43 | 4,05 |
| pc= 55/131 | -15 | 5 | 498,2 | 1701 | 428,8 | 1,57 | 5,37 | 1,35 | 316,9 | 1,67 | 6,26 |
| return gas temp | -10 | 14 | 604,8 | 2065 | 520,5 | 1,74 | 5,94 | 1,50 | 347,8 | 1,80 | 7,65 |
| RGT= 32/90 | 0 | 32 | 868,1 | 2965 | 747,1 | 2,14 | 7,32 | 1,85 | 404,9 | 2,07 | 11,15 |
| liquid temp | 5 | 41 | 1029,0 | 3514 | 885,6 | 2,39 | 8,18 | 2,06 | 429,7 | 2,18 | 13,34 |
| Tliq= 55/131 | 10 | 50 | 1212,1 | 4140 | 1043,2 | 2,69 | 9,18 | 2,31 | 451,1 | 2,28 | 15,89 |



8238-20

NL Compressors





Service/Repair – R600a, R290



8545

Brazing on Suction Connectors (Direct Intake)

representative image



**! max. 150°C/302°F !
at socket**
brazing solder: phosphor (LP7) or silver

Refer to Product Bulletin:
**Brazing on Suction Connectors
(Compressors with Direct Suction Intake)**

Secop accepts no responsibility for possible errors in catalogs, brochures, and other printed material. Secop reserves the right to alter its products without notice. This also applies to products already on order provided that such alterations can be made without subsequential changes being necessary to specifications already agreed. All trademarks in this material are the property of the respective companies. Secop and the Secop logotype are trademarks of Secop GmbH. All rights reserved. www.secop.com