

## Single Pack TFS4.5CLX 115-127V 60Hz CSIR

Single pack code number: **195B4165**

Position	Title	Code	Amount
1	Compressor TFS4.5CLX	102U2103	1
2	Starting relay (overload protector MRP36AEN-6)	117U4148	1
3	Starting capacitor (280 $\mu$ F 125V, 6.3mm)	117U5025	1
4	Cord relief	117U0349	2
5	Cover	117U1021	1
6	Bolt joint for one compressor   M6   $\varnothing$ 16mm	118-1917	1

Secop GmbH • Lise-Meitner-Straße 29 • 24941 Flensburg, Germany • Tel: +49 461 4941 0 • [www.secop.com](http://www.secop.com)

Secop accepts no responsibility for possible errors in catalogs, brochures, and other printed material. Secop reserves the right to alter its products without notice. This also applies to products already on order provided that such alterations can be made without subsequent changes being necessary to specifications already agreed. All trademarks in this material are the property of the respective companies. Secop and the Secop logotype are trademarks of Secop GmbH. All rights reserved.

## TFS4.5CLX LBP Compressor R404A/R507 115 - 127V 60Hz

### General

Code number	102U2103
Approvals	UL984
Compressors on pallet	125

### Application

Application	LBP			
Frequency	Hz	50	60	
Evaporating temperature	°F	-	-49 to 20	
Voltage range	V	-	103 - 135	
Max. condensing temperature continuous (short)	°F	-	120 (135)	
Max. winding temperature continuous (short)	°F	-	257 (275)	

### Cooling requirements

Frequency	Hz	50			60		
Application		LBP	MBP	HBP	LBP	MBP	HBP
90°F		-	-	-	F <sub>1</sub>	-	-
100°F		-	-	-	F <sub>1</sub>	-	-
110°F		-	-	-	F <sub>1</sub>	-	-
Remarks on application:							

### Motor

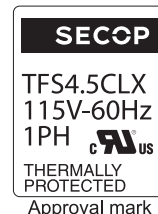
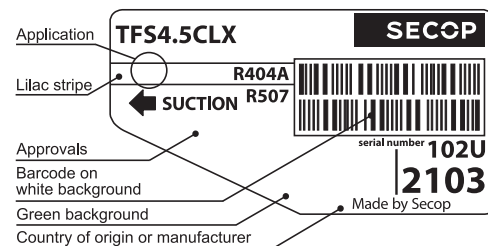
Motor type	CSIR		
LRA (rated after 4 sec. UL984), HST   LST	A	20.0	-
Cut in Current, HST   LST	A	20.0	-
Resistance, main   start winding (77°F)	Ω	2.6	3.8

### Design

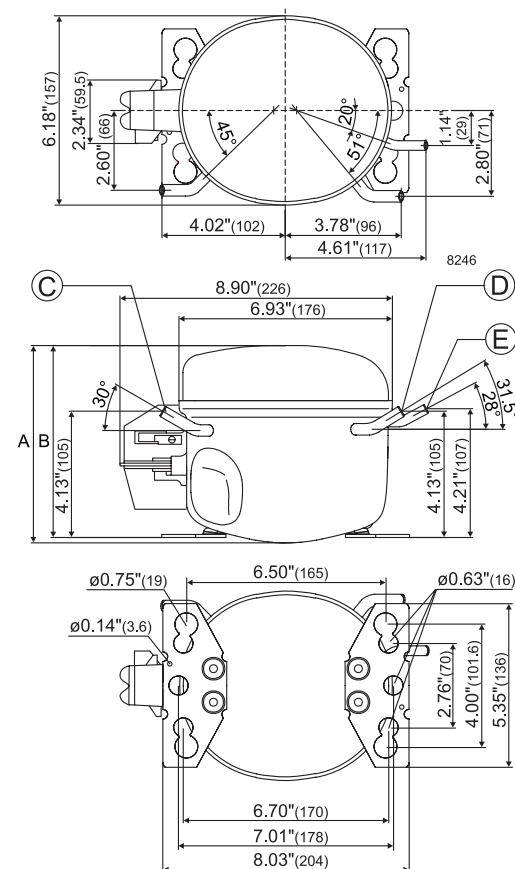
Displacement	cu.in	0.29
Oil quantity (type)	fl.oz.	9.5 (polyolester)
Maximum refrigerant charge	oz.	14.0
Free gas volume in compressor	fl.oz.	57.3
Weight without electrical equipment	lbs.	17.9

### Dimensions

Height	inch	A	6.81
		B	6.65
		B1	-
		B2	-
Suction connector	location, I.D. in.   angle	C	0.252-0.259   30°
	material   comment		Copper   Rubber plug
Process connector	location, I.D. in.   angle	D	0.252-0.259   31.5°
	material   comment		Copper   Rubber plug
Discharge connector	location, I.D. in.   angle	E	0.189-0.193   28°
	material   comment		Copper   Rubber plug
Oil cooler connector	location, I.D. in.   angle	F	-
	material   comment		-
Remarks:			



- S = Static cooling normally sufficient
- O = Oil cooling
- F<sub>1</sub> = Fan cooling 1.5 m/s  
(compressor compartment temperature equal to ambient temperature)
- F<sub>2</sub> = Fan cooling 3.0 m/s necessary
- SG = Suction gas cooling normally sufficient
- = not applicable in this area



**ASHRAE LBP**

115V, 60Hz, fan cooling F<sub>1</sub>

Evap. temp. in °F	-49	-40	-30	-20	-13	-10	0	10	14	20	30	32	40	45	50	59	68
Capacity in BTU/h	210	332	494	690	851	926	1207	1539	1688	1930							
Power cons. in W	100	130	161	194	217	228	266	310	329	360							
Current cons. in A	2.18	2.26	2.40	2.60	2.76	2.84	3.14	3.48	3.64	3.88							
EER in BTU/Wh	2.10	2.56	3.06	3.56	3.91	4.06	4.53	4.97	5.68	5.36							

**ASHRAE LBP\***

115V, 60Hz, fan cooling F<sub>1</sub>

Evap. temp. in °F	-49	-40	-30	-20	-13	-10	0	10	14	20	30	32	40	45	50	59	68
Capacity in BTU/h	289	407	569	769	933	1010	1298	1637	1789	2034							
Power cons. in W	113	135	160	186	206	215	250	291	309	340							
Current cons. in A	2.23	2.29	2.39	2.55	2.70	2.76	3.03	3.34	3.48	3.70							
EER in BTU/Wh	2.55	3.01	3.56	4.14	4.53	4.69	5.20	5.63	5.78	5.98							

**EN 12900 Household (CECOMAF)**

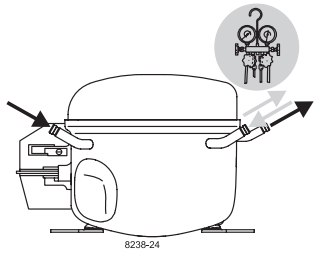
115V, 60Hz, fan cooling F<sub>1</sub>

Evap. temp. in °F	-49	-40	-30	-20	-13	-10	0	10	14	20	30	32	40	45	50	59	68
Capacity in W	67	100	141	192	233	252	325	410	448	509							
Power cons. in W	109	134	160	187	207	217	251	292	311	342							
Current cons. in A	2.21	2.28	2.39	2.55	2.70	2.77	3.04	3.35	3.49	3.72							
COP in W/W	0.62	0.75	0.89	1.03	1.13	1.17	1.29	1.40	1.44	1.49							

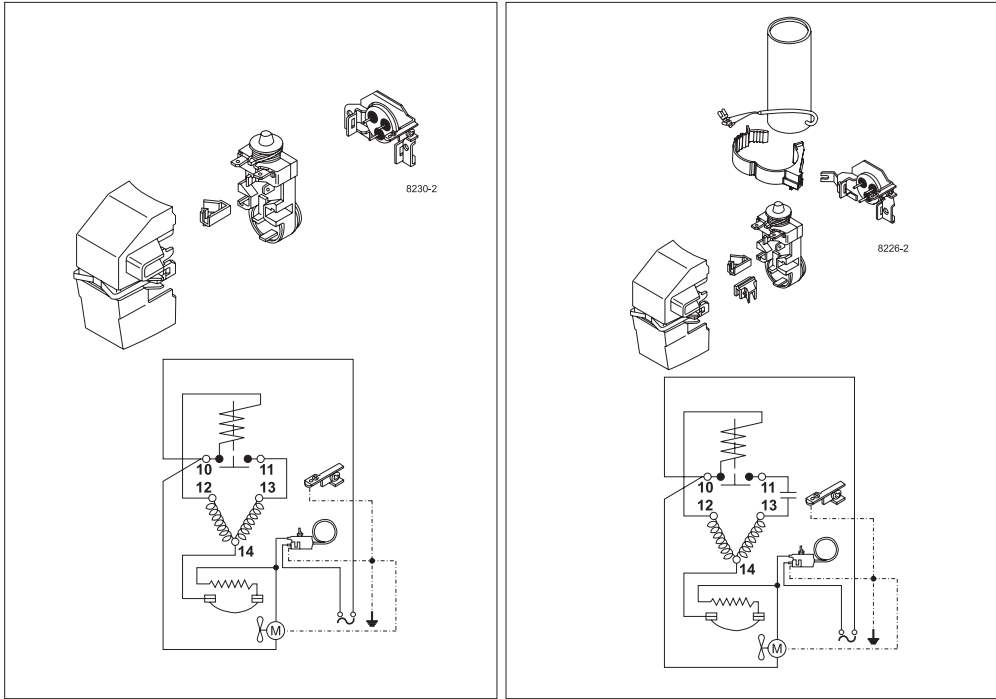


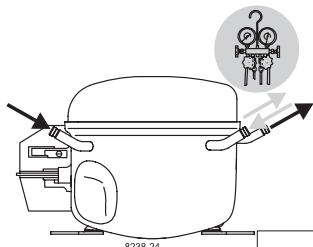
Accessories for	TFS4.5CLX	Figure	Code number	Test conditions	ASHRAE LBP	ASHRAE LBP*	EN 12900/CECOMAF
Starting relay	1/4 in. spade connect.	a2	117U4148	Condensing temp.	130°F	110°F	113°F
Protector 3/4 in.	Texas Instruments		MRP36EN-6	Ambient temp.	90°F	90°F	90°F
Cover		b	117U1021	Suction gas temp.	90°F	90°F	90°F
Start. capacitor 280 µF	1/4 in. spade connect.	c	117U5025	Liquid temperature	90°F	90°F	113°F
Cord relief		d	117U0349				
Cord relief for capacitor		dc	117U0349				
<b>Mounting accessories</b>					<b>Code number</b>		
Bolt joint for one comp.					Ø: 5/8 in.	118-1917	
Bolt joint in quantities					Ø: 5/8 in.	118-1918	
Snap-on in quantities					Ø: 5/8 in.	118-1919	

Secop accepts no responsibility for possible errors in catalogs, brochures, and other printed material. Secop reserves the right to alter its products without notice. This also applies to products already on order provided that such alterations can be made without subsequential changes being necessary to specifications already agreed. All trademarks in this material are the property of the respective companies. Secop and the Secop logotype are trademarks of Secop GmbH. All rights reserved. [www.secop.com](http://www.secop.com)

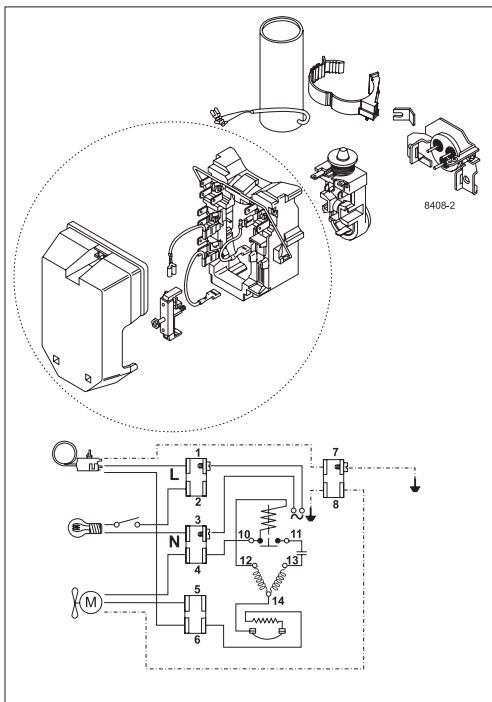
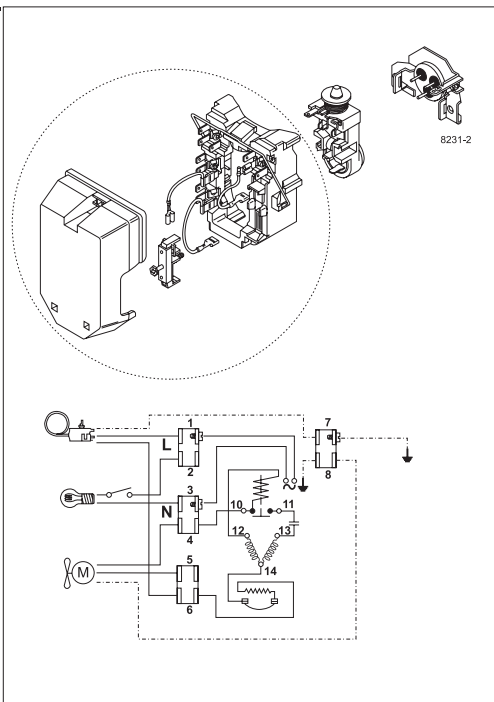


# TF Compressors





8238-24



Secop accepts no responsibility for possible errors in catalogs, brochures, and other printed material. Secop reserves the right to alter its products without notice. This also applies to products already on order provided that such alterations can be made without subsequential changes being necessary to specifications already agreed. All trademarks in this material are the property of the respective companies. Secop and the Secop logotype are trademarks of Secop GmbH. All rights reserved. [www.secop.com](http://www.secop.com)