

## Single Pack PL35F 220-240V 50Hz RSIR

Single pack code number: **195B4234**

Position	Title	Code	Amount
1	Compressor PL35F	101G0202	1
2	PTC starting device (220V, 250hm, 6.3mm)	103N0011	1
3	Protection screen for PTC	103N0476	1
4	Cord relief	103N1010	1
5	Cover	103N0491	1
6	Bolt joint for one compressor   M6   ø16mm	118-1917	1

Secop GmbH • Lise-Meitner-Straße 29 • 24941 Flensburg, Germany • Tel: +49 461 4941 0 • [www.secop.com](http://www.secop.com)

Secop accepts no responsibility for possible errors in catalogs, brochures, and other printed material. Secop reserves the right to alter its products without notice. This also applies to products already on order provided that such alterations can be made without subsequent changes being necessary to specifications already agreed. All trademarks in this material are the property of the respective companies. Secop and the Secop logotype are trademarks of Secop GmbH. All rights reserved.

## Model

Designation	<b>PL35F</b>	220-240V/50Hz 1~	Sales code:	<b>101G0202</b>
-------------	--------------	------------------	-------------	-----------------

## Compressor design

Oil type	Polyolester	Refrigerant(s)	<b>R134a</b>
Oil viscosity	15cST	Displacement	2cm <sup>3</sup> / 0,12cu.in
Oil quantity	153cm <sup>3</sup> / 5,2fl.oz	Compressors on pallet	150
Refr. charge - tech. limit	300g / 10,6oz		
Free gas volume comp.	830cm <sup>3</sup> / 28,1fl.oz		
Weight	4,1kg / 9lbs		
Motor protection	1# internal		
Winding resistance main	52,61Ω (at 25°C)		
Winding resistance aux	20,08Ω (at 25°C)		
Max. winding temp.	125°C / 257°F		
Max. discharge temp.	130°C / 266°F		



## General - Configurations with PL35F

	<b>Conf. 1</b>
Motorconfiguration	RSIR
Power supply (nominal)	220-240V/50Hz
Number of phases	1
Voltage range	198-254V
Approvals	VDE, EAC
Starting torque	LST
Note	- / -

## Applications with PL35F

	<b>Conf. 1</b>
Refrigerant	R134a
Application	LBP+MBP
System cooling	static
Hot gas defrost	-/-
Long interval pull down	-/-

## Electrical data - Configurations with PL35F

	<b>Conf. 1</b>
Starting device type	PTC
Run capacitor	-/-
Start capacitor	-/-
LRA (locked rotor amps / 4s)	1,78A
RLA (rated load amps / 1s)	0,42A
Cut in current	5,92A

## Model

Designation

**PL35F**

220-240V/50Hz 1~

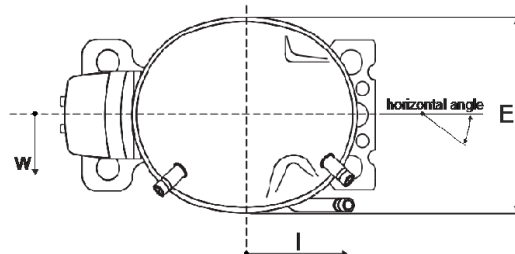
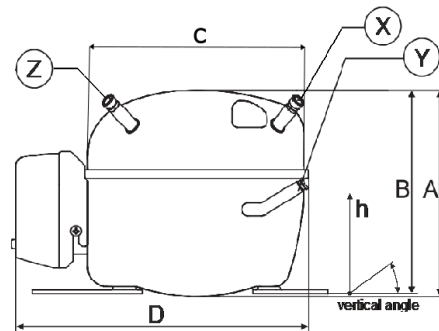
Sales code:

**101G0202**

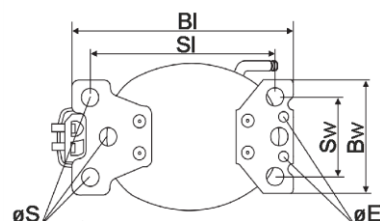
## Compressor dimensions

Housing	A Height	137mm / 5,39in
	B Height	135mm / 5,31in
	C Length shell	156,3mm / 6,15in
	D Length w. cover	206mm / 8,11in
	E Width	130mm / 5,12in

Connectors		Suction	Discharge	Process
		X	Y	Z
Diameter	[mm]	øi 6,41-6,59	øi 5,12-5,26	øi 6,41-6,59
	(i:inside, o:outside) [in]	øi 0,25-0,26	øi 0,2-0,21	øi 0,25-0,26
Material		copper	steel/CU	copper
Horizontal angle	±2°	45°	0°	41,5°
Vertical angle	±2°	40°	21°	40°
Position l/h/w	[mm]	64/31/47	60/68/76	35/64/47
	[in]	2,5/1,2/1,9	2,4/2,7/3	1,4/2,5/1,9
Straight tube l.	[mm]	12	12	12
	[in]	0,5	0,5	0,5

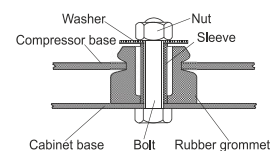


## Compressor fixation

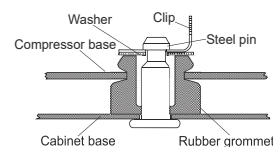


Baseplate	[mm]	[inch]
BI	204	8.03
BW	100	3.94
øE	ø 9	ø 0.35
Small holes	[mm]	[inch]
SI	170	6.7
SW	70	2.76
øS	ø 16	ø 0.63

### Bolt joint



### Snap-on



## Mounting accessories

	one comp.	multi pack
Bolt joint   M6   ø16mm	118-1917	118-1918
Bolt joint   ø1/4"   ø16mm	118-1946	
Snap-on   ø7,3   ø16mm	118-1947	118-1919

## Model

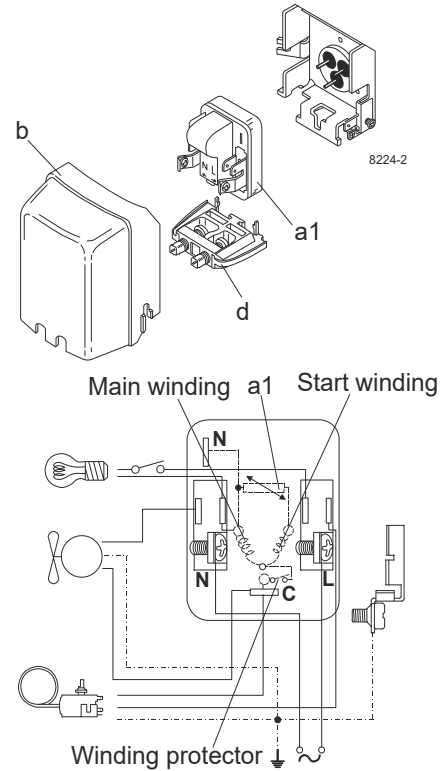
Designation	<b>PL35F</b>	<b>220-240V/50Hz</b>	<b>Conf. 1</b>	Sales code:	<b>101G0202</b>
-------------	--------------	----------------------	----------------	-------------	-----------------

## Configuration

Motorconfiguration	RSIR
Power supply (nominal)	220-240V/50Hz 1~
Refrigerant	R134a
Application	LBP+MBP
Voltage range	198-254V
Starting torque	LST
Approvals	VDE EAC

## Electrical accessories / wiring diagram

RSIR

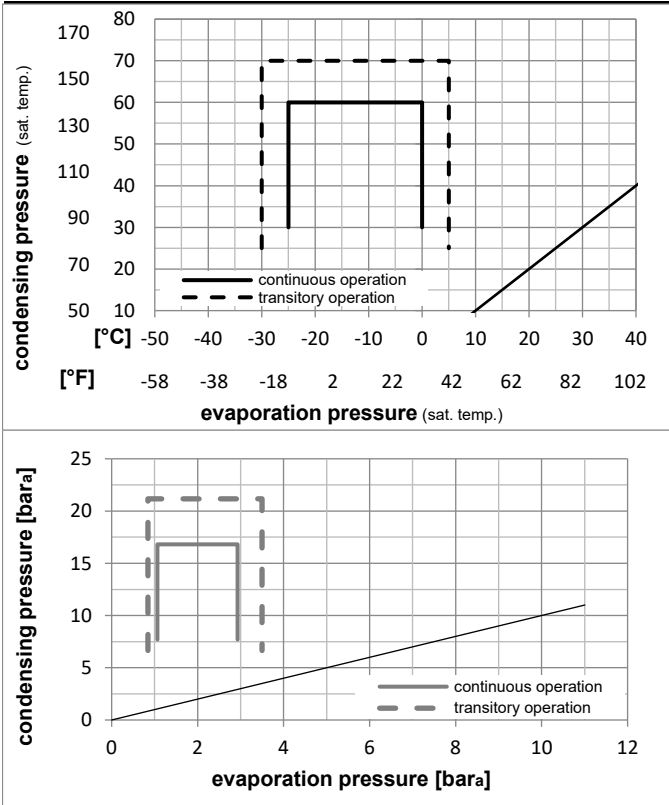


## Ambient temperatures / system cooling

Ambient temperature min.:	10°C / 50°F
Ambient temperature max.:	38°C / 101°F

System cooling (n/a: outside limits)			
T ambient	LBP	MBP	HBP
32°C / 90°F	static	static	n/a
38°C / 100°F	static	static	n/a
43°C / 110°F	n/a	n/a	n/a

## Operation pressure range



## Components

a1	PTC starter (220V, 250hm, 6.3mm)	103N0011
b	plastic cover	103N0491
d	cord relief	103N1010
g	protection screen for PTC	103N0476

## Alternative components

a1	PTC starter (220V, 250hm, 4.8mm)	103N0018
d	cord relief	103N1010
g	protection screen for PTC	103N0476

## Model

Designation	<b>PL35F</b>	<b>220-240V/50Hz</b>	Conf. 1	Sales code:	<b>101G0202</b>
-------------	--------------	----------------------	---------	-------------	-----------------

## Optimization + standard conditions

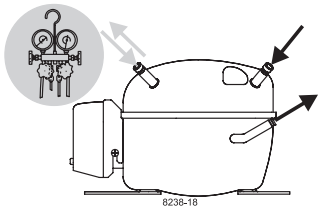
R134a, 220V/50Hz, RSIR, static, VDE, EAC

		Evaporating pressure (saturation temperature)				Condensing pressure (saturation temperature)			Return gas temp.			Liquid temp.			Cooling capacity			COP	EER	Power consumption			ASHRAE MBP
		pe	pc	RGT	Tliq	[W]	[Btu/h]	[kcal/h]	[W/W]	[Btu/Wh]	[kcal/Wh]	P1	I	m	[W]	[A]	[kg/h]	cecomaf MBP					
[°C]	[°F]																		EN12900 MBP				
-7	20	54	130	35	95	103,3	353	88,9	1,34	4,59	1,16	76,8	0,57	2,25									
-10	14	55	131	32	90	78,9	270	67,9	1,10	3,76	0,95	71,7	0,55	1,91									
-10	14	45	113	20	68	93,6	320	80,5	1,41	4,80	1,21	66,5	0,54	2,19									
-7	20	49	120	18	65	100,5	343	86,5	1,37	4,67	1,18	73,5	0,56	2,48									
-10	14	45	113	32	90	97,1	332	83,6	1,46	4,98	1,26	66,5	0,54	2,12				opt					
-25	-13	45	113	32	90	42,1	144	36,2	0,86	2,94	0,74	48,9	0,50	0,91				opt					

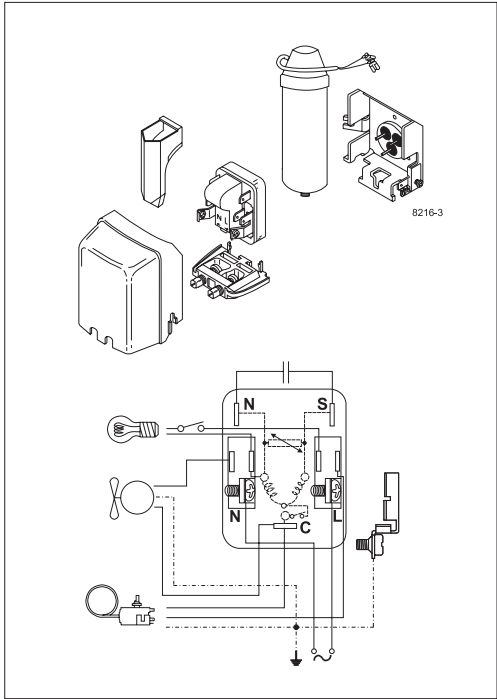
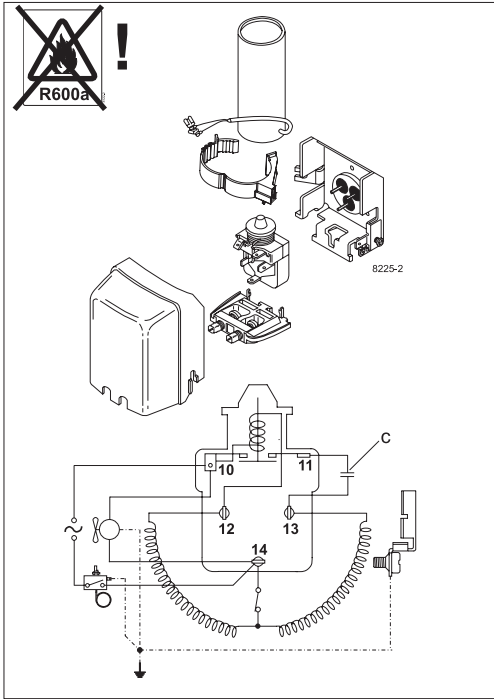
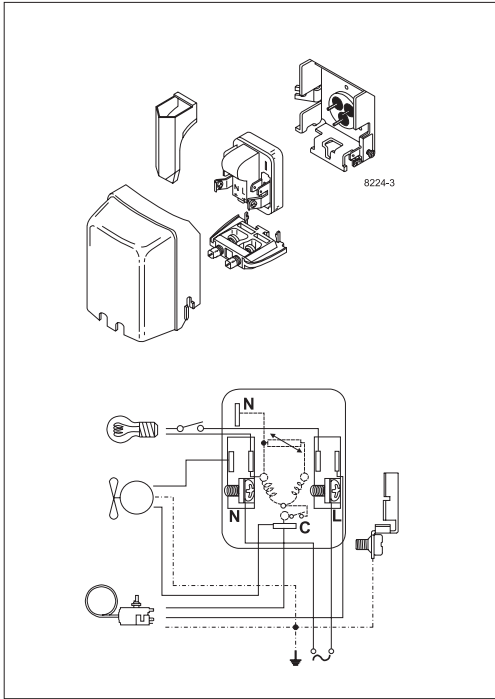
## Performance tables

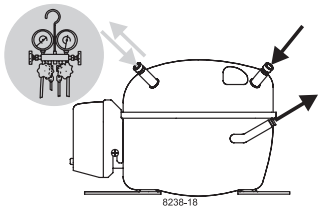
R134a, 220V/50Hz, RSIR, static, VDE, EAC

	pe		Cooling capacity			COP	EER	P1			I	m
	[°C]	[°F]	[W]	[Btu/h]	[kcal/h]	[W/W]	[Btu/Wh]	[kcal/Wh]	[W]	[A]	[kg/h]	
[°C / °F]	-25	-13	42,1	144	36,2	0,86	2,94	0,74	48,9	0,50	0,91	
cond. pressure	-23	-10	46,9	160	40,4	0,93	3,17	0,80	50,6	0,50	1,02	
pc= 45/113	-20	-4	57,4	196	49,4	1,06	3,62	0,91	54,2	0,51	1,25	
return gas temp.	-10	14	97,1	332	83,6	1,46	4,98	1,26	66,5	0,54	2,12	
RGT= 32/90	-7	20	112,8	385	97,1	1,59	5,43	1,37	70,9	0,56	2,48	
liquid temp	-5	23	121,4	415	104,5	1,66	5,67	1,43	73,2	0,57	2,67	
Tliq= 45/113	0	32	148,8	508	128,0	1,86	6,37	1,60	79,8	0,61	3,29	
[°C / °F]	-25	-13	31,9	109	27,5	0,64	2,18	0,55	50,1	0,50	0,76	
cond. pressure	-23	-10	35,9	123	30,9	0,69	2,35	0,59	52,2	0,50	0,86	
pc= 55/131	-20	-4	44,6	152	38,4	0,79	2,69	0,68	56,7	0,51	1,07	
return gas temp	-10	14	78,9	270	67,9	1,10	3,76	0,95	71,7	0,55	1,91	
RGT= 32/90	-7	20	92,9	317	79,9	1,20	4,12	1,04	77,1	0,57	2,25	
liquid temp	-5	23	100,6	344	86,6	1,26	4,30	1,08	79,9	0,58	2,44	
Tliq= 55/131	0	32	125,2	428	107,8	1,42	4,85	1,22	88,1	0,62	3,06	



# PL Compressors





# PL Compressors

## Service/Repair – R600a



8545



Secop accepts no responsibility for possible errors in catalogs, brochures, and other printed material. Secop reserves the right to alter its products without notice. This also applies to products already on order provided that such alterations can be made without subsequential changes being necessary to specifications already agreed. All trademarks in this material are the property of the respective companies. Secop and the Secop logotype are trademarks of Secop GmbH. All rights reserved. [www.secop.com](http://www.secop.com)