

Single Pack NF6.1FX.2 115-127V 60Hz CSIR

Single pack code number: **195B4334**

Position	Title	Code	Amount
1	Compressor NF6.1FX.2	105G5631	1
2	Starting relay (overload protector MRP36AEN-6)	117U4127	1
3	Starting capacitor (280 μ F 125V, 6.3mm)	117U5068	1
4	Cord relief	117U0349	2
5	Cover	117U1021	1
6	Bolt joint for one compressor M6 \varnothing 16mm	118-1917	1

Secop GmbH • Lise-Meitner-Straße 29 • 24941 Flensburg, Germany • Tel: +49 461 4941 0 • www.secop.com

Secop accepts no responsibility for possible errors in catalogs, brochures, and other printed material. Secop reserves the right to alter its products without notice. This also applies to products already on order provided that such alterations can be made without subsequent changes being necessary to specifications already agreed. All trademarks in this material are the property of the respective companies. Secop and the Secop logotype are trademarks of Secop GmbH. All rights reserved.

Model

Designation	NF6.1FX.2	115-127V/60Hz 1~	Sales code:	105G5631
-------------	------------------	------------------	-------------	-----------------

Compressor design

Oil type	Polyolester	Refrigerant(s)	R134a, R513A, 0
Oil viscosity	32cST	Displacement	6,13cm ³ / 0,37cu.in
Oil quantity	270cm ³ / 9,1fl.oz	Compressors on pallet	80
Refr. charge - tech. limit	400g / 14,1oz		
Free gas volume comp.	2360cm ³ / 79,8fl.oz		
Weight	10kg / 22lbs		
Motor protection	external		
Winding resistance main	2Ω (at 25°C)		
Winding resistance aux	3,1Ω (at 25°C)		
Max. winding temp.	125°C / 257°F		
Max. discharge temp.	130°C / 266°F		



General - Configurations with NF6.1FX.2

	Conf. 1	Conf. 2
Motorconfiguration	CSIR	CSIR
Power supply (nominal)	115V/60Hz	115V/60Hz
Number of phases	1	1
Voltage range	95-135V	95-135V
Approvals	EAC, UL	EAC, UL
Starting torque	HST	HST
Note	- / -	

Applications with NF6.1FX.2

	Conf. 1	Conf. 2
Refrigerant	R134a	R513A
Application	LBP+MBP	LBP+MBP
System cooling	fan 1,5m/s	fan 1,5m/s
Hot gas defrost	-/-	-/-
Long interval pull down	OK	OK

Electrical data - Configurations with NF6.1FX.2

	Conf. 1	Conf. 2
Starting device type	relay	relay
Run capacitor	-/-	-/-
Start capacitor	280μF	280μF
LRA (locked rotor amps / 4s/ U(N))	22,2A	22,2A
RLA (rated load amps / 1s/ U(N))	3,7A	3,7A
Cut in current (U(N))	22,2A	22,2A

Model

Designation

NF6.1FX.2

115-127V/60Hz 1~

Sales code:

105G5631

Compressor dimensions

Housing	A Height	197mm / 7,76in
	B Height	191mm / 7,52in
	C Length shell	205mm / 8,07in
	D Length w. cover	254mm / 10in
	E Width	166mm / 6,54in

Connectors		Suction	Discharge	Process
		X	Y	Z
Diameter	[mm]	øi 8,11-8,29	øi 6,41-6,59	øi 6,41-6,59
	(i:inside, o:outside) [in]	øi 0,32-0,33	øi 0,25-0,26	øi 0,25-0,26
Material		copper	copper	copper
Horizontal angle	±2°	0°	0°	0°
Vertical angle	±2°	15°	35°	155°
Position l/h/w	[mm]	119/76/78	127/103/54	-113/94/72
	[in]	4,7/3/3,1	5/4,1/2,1	-4,4/3,7/2,8
Straight tube l.	[mm]	12	12	12
	[in]	0,5	0,5	0,5



Compressor fixation



Bolt joint



Snap-on



Mounting accessories

	one comp.	multi pack
Bolt joint M6 ø16mm	118-1917	118-1918
Bolt joint ø1/4" ø16mm	118-1946	
Bolt joint ø1/4" ø19mm	118-1949	
Snap-on ø7,3 ø16mm	118-1947	118-1919

Application notes

Provision for PE Grounding is located at the PE Stamp on the compressor

Model

Designation	NF6.1FX.2	115V/60Hz	Conf. 1	Sales code:	105G5631
-------------	------------------	------------------	----------------	-------------	-----------------

Configuration

Motorconfiguration	CSIR
Power supply (nominal)	115V/60Hz 1~
Refrigerant	R134a
Application	LBP+MBP
Voltage range	95-135V
Starting torque	HST
Approvals	EAC
	UL

Electrical accessories / wiring diagram



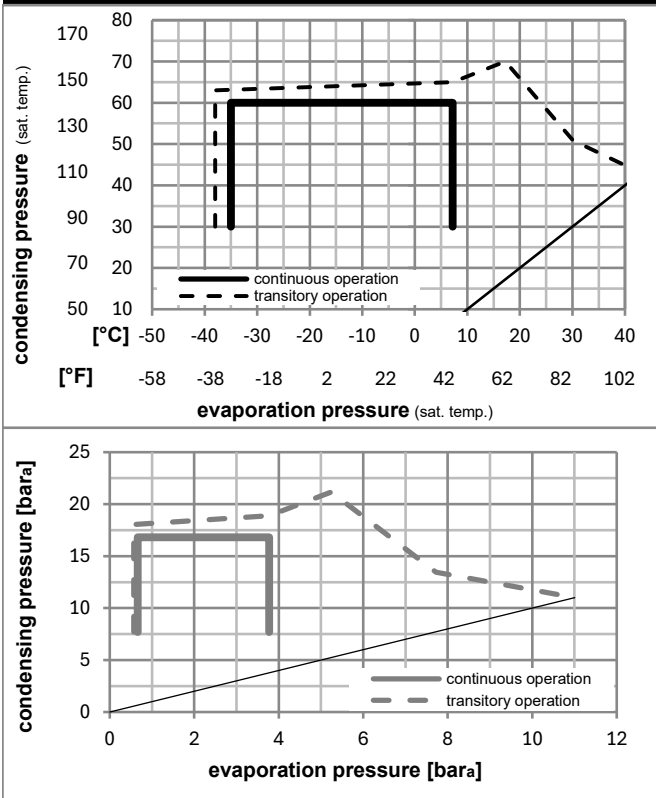
Ambient/ machine room temperatures minimum /maximum

Ambient temperature range: 10 - 43°C / 50 - 110°F

Machine room temperature range: 10 - 48°C / 50 - 119°F

Compressor cooling: fan 1,5m/s

Operation pressure range



Components

a2	current relay (MRP36AEN-6)	117U4127
c	start capacitor (280µF)	117U5025
b	plastic cover	117U1021
d/dc	cord relief	117U0349
d/dc	cord relief	117U0349

Alternative components

a2	current relay (MRP36AEN-6)	117U4157
c	start capacitor (280µF)	117U5074

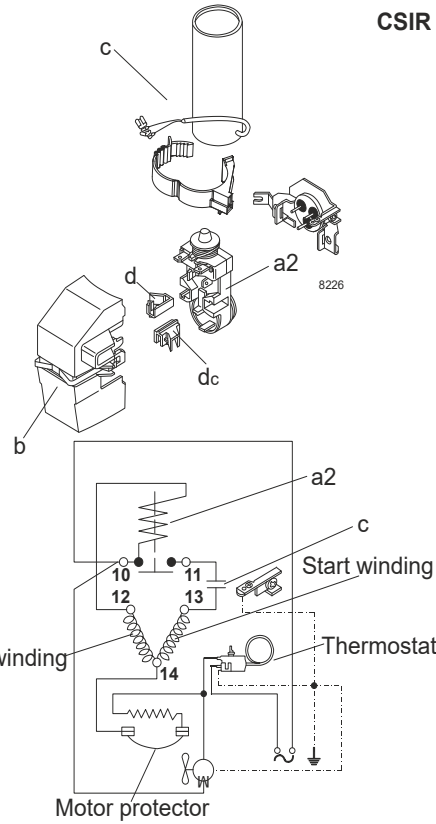
Model

Designation	NF6.1FX.2	115V/60Hz	Conf. 2	Sales code:	105G5631
-------------	------------------	------------------	----------------	-------------	-----------------

Configuration

Motorconfiguration	CSIR
Power supply (nominal)	115V/60Hz 1~
Refrigerant	R513A
Application	LBP+MBP
Voltage range	95-135V
Starting torque	HST
Approvals	EAC
	UL

Electrical accessories / wiring diagram



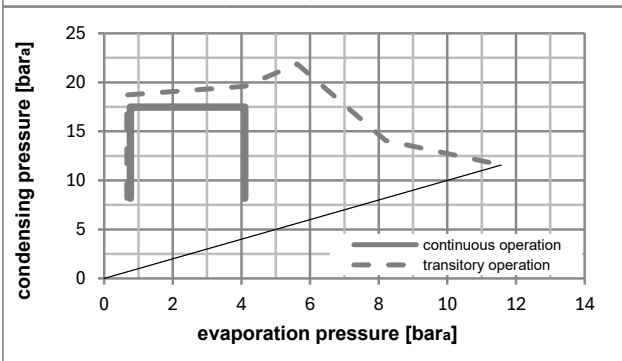
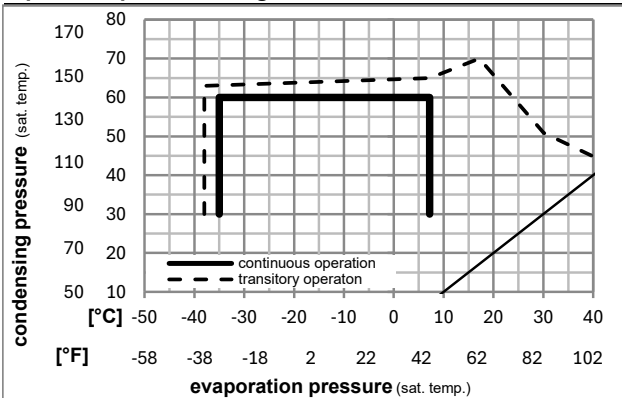
Ambient/ machine room temperatures minimum /maximum

Ambient temperature range: 10 - 43°C / 50 - 110°F

Machine room temperature range: 10 - 48°C / 50 - 119°F

Compressor cooling: fan 1,5m/s

Operation pressure range



Components

a2	current relay (MRP36AEN-6)	117U4127
c	start capacitor (280µF)	117U5025
b	plastic cover	117U1021
d/dc	cord relief	117U0349
d/dc	cord relief	117U0349

Alternative components

a2	current relay (MRP36AEN-6)	117U4157
c	start capacitor (280µF)	117U5074

Model

Designation	NF6.1FX.2	115V/60Hz	Conf. 2	Sales code:	105G5631
-------------	------------------	------------------	----------------	-------------	-----------------

Optimization + standard conditions

R513A, 115V/60Hz, CSIR, fan 1,5m/s, EAC, UL

	pe	pc	RGT	Tliq	Cooling capacity	COP	EER	P1	I	Ref. mass flow	
	[°C]	[°C]	[°C]	[°C]	[W]	[W/W]	[Btu/Wh]	[W]	[A]	[kg/h]	
	[°F]	[°F]	[°F]	[°F]	[Btu/h]	[kcal/h]	[kcal/Wh]	[W]	[A]	[kg/h]	
ASHRAE LBP	-23	54	32	32	233,5	1,21	4,13	192,9	2,80	5,02	
cecomaf LBP	-25	55	32	55	164,4	0,89	3,04	184,5	2,76	4,50	
EN12900 LBP	-35	40	20	40	111,6	0,78	2,66	143,3	2,54	2,76	
ARI540 LBP	-23	49	4,4	49	187,5	0,97	3,33	192,4	2,80	5,74	
AHAM LBP	-23	41	32	32	266,0	1,40	4,79	189,8	2,79	5,72	
opt	-35	45	32	45	102,1	0,73	2,50	139,5	2,52	2,48	

Performance tables

R513A, 115V/60Hz, CSIR, fan 1,5m/s, EAC, UL

	pe	Cooling capacity			COP	EER	P1	I	m		
	[°C]	[°F]	[W]	[Btu/h]	[kcal/h]	[W/W]	[Btu/Wh]	[kcal/Wh]	[W]	[A]	[kg/h]
[°C / °F]	-35	-31	102,1	349	87,9	0,73	2,50	0,63	139,5	2,52	2,48
cond. pressure	-23	-10	226,8	775	195,2	1,19	4,05	1,02	191,4	2,79	5,53
pc= 45/113	-15	5	347,3	1186	298,9	1,55	5,31	1,34	223,5	2,96	8,51
return gas temp.	-9	15	445,0	1520	383,0	1,82	6,21	1,57	244,7	3,08	10,94
RGT= 32/90	-4	25	558,1	1906	480,3	2,09	7,14	1,80	266,9	3,19	13,79
liquid temp	0	32	647,3	2211	557,1	2,28	7,80	1,96	283,6	3,28	16,06
Tliq= 45/113	7,2	45	836,6	2857	720,0	2,63	8,97	2,26	318,5	3,47	20,93
[°C / °F]	-35	-31	77,5	265	66,7	0,60	2,05	0,52	128,9	2,46	2,11
cond. pressure	-23	-10	182,2	622	156,8	0,94	3,23	0,81	192,9	2,80	4,99
pc= 55/131	-15	5	287,3	981	247,3	1,24	4,22	1,06	232,6	3,01	7,91
return gas temp	-9	15	374,2	1278	322,0	1,45	4,95	1,25	258,4	3,15	10,35
RGT= 32/90	-4	25	476,2	1626	409,8	1,67	5,71	1,44	284,9	3,29	13,24
liquid temp	0	32	557,4	1904	479,7	1,83	6,25	1,58	304,4	3,39	15,57
Tliq= 55/131	7,2	45	731,3	2498	629,4	2,13	7,26	1,83	344,0	3,60	20,62



8238-23

NF Compressors



8230-2



8226-2



8238-23



Secop accepts no responsibility for possible errors in catalogs, brochures, and other printed material. Secop reserves the right to alter its products without notice. This also applies to products already on order provided that such alterations can be made without subsequential changes being necessary to specifications already agreed. All trademarks in this material are the property of the respective companies. Secop and the Secop logotype are trademarks of Secop GmbH. All rights reserved. www.secop.com