

Single Pack SC18GH 220-240V 50Hz CSIR

Single pack code number: **195B4407**

Position	Title	Code	Amount
1	Compressor SC18GH	104G8860	1
2	Starting relay	117U6019	1
3	Starting capacitor (80 μ F 220V, 6.3mm)	117U5017	1
4	Cord relief	103N1004	1
5	Cover	103N2009	1
6	Bolt joint for one compressor M6 \varnothing 16mm	118-1917	1

Secop GmbH • Lise-Meitner-Straße 29 • 24941 Flensburg, Germany • Tel: +49 461 4941 0 • www.secop.com

Secop accepts no responsibility for possible errors in catalogs, brochures, and other printed material. Secop reserves the right to alter its products without notice. This also applies to products already on order provided that such alterations can be made without subsequent changes being necessary to specifications already agreed. All trademarks in this material are the property of the respective companies. Secop and the Secop logotype are trademarks of Secop GmbH. All rights reserved.

Model

Designation	SC18GH	220-240V/50Hz 1~	Sales code:	104G8860
-------------	---------------	------------------	-------------	-----------------

Compressor design

Oil type	Polyolester	Refrigerant(s)	R134a
Oil viscosity	22cST	Displacement	17,69cm ³ / 1,08cu.in
Oil quantity	500cm ³ / 16,9fl.oz	Compressors on pallet	80
Refr. charge - tech. limit	1300g / 45,9oz		
Free gas volume comp.	1460cm ³ / 49,4fl.oz		
Weight	13,5kg / 29,8lbs		
Motor protection	1# internal		
Winding resistance main	3,7Ω (at 25°C)		
Winding resistance aux	14Ω (at 25°C)		
Max. winding temp.	125°C / 257°F		
Max. discharge temp.	135°C / 275°F		



General - Configurations with SC18GH

	Conf. 1
Motorconfiguration	CSIR
Power supply (nominal)	220-240V/50Hz
Number of phases	1
Voltage range	198-254V
Approvals	VDE
Starting torque	HST
Note	- / -

Applications with SC18GH

	Conf. 1
Refrigerant	R134a
Application	HBP
System cooling	fan 3m/s
Hot gas defrost	OK
Long interval pull down	OK

Electrical data - Configurations with SC18GH

	Conf. 1
Starting device type	relay
Run capacitor	-/-
Start capacitor	80μF
LRA (locked rotor amps / 4s)	
RLA (rated load amps / 1s)	-/-A
Cut in current	

Model

Designation

SC18GH

220-240V/50Hz 1~

Sales code:

104G8860

Compressor dimensions

Housing	A Height	219mm / 8,62in
	B Height	213mm / 8,39in
	C Length shell	218mm / 8,58in
	D Length w. cover	255mm / 10,04in
	E Width	151mm / 5,94in

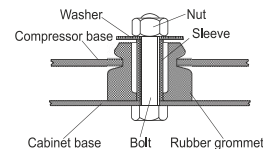
Connectors	Suction X	Discharge Y	Process Z
Diameter [mm]	øi 10,11-10,29	øi 8,11-8,29	øi 6,11-6,29
(i:inside, o:outside) [in]	øi 0,4-0,41	øi 0,32-0,33	øi 0,24-0,25
Material	copper	copper	copper
Horizontal angle ±2°	37°	37°	143°
Vertical angle ±2°	30°	0°	150°
Position l/h/w [mm]	107/193/55	115/110/63	-107/193/55
[in]	4,2/7,6/2,2	4,5/4,3/2,5	-4,2/7,6/2,2
Straight tube l. [mm]	12	12	12
[in]	0,5	0,5	0,5



Compressor fixation



Bolt joint



Snap-on



Mounting accessories

Mounting accessories	one comp.	multi pack
Bolt joint M6 ø16mm	118-1917	118-1918
Bolt joint ø1/4" ø16mm	118-1946	
Bolt joint ø1/4" ø19mm	118-1949	
Snap-on ø7,3 ø16mm	118-1947	118-1919

Application notes

Provision for PE Grounding is located at the PE Stamp on the compressor

Model

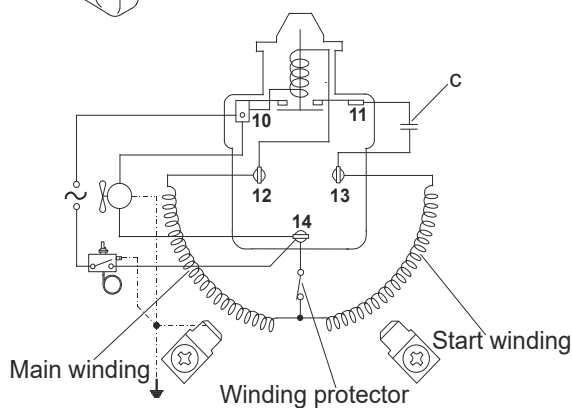
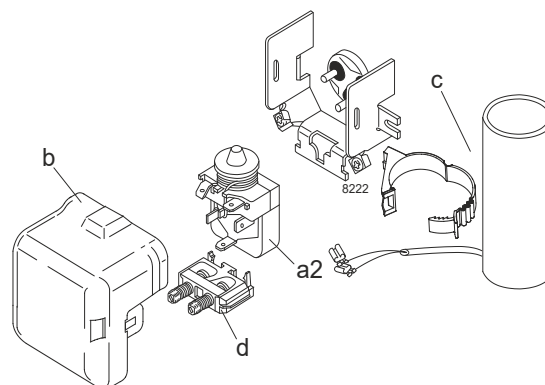
Designation	SC18GH	220-240V/50Hz	Conf. 1	Sales code:	104G8860
-------------	---------------	----------------------	----------------	-------------	-----------------

Configuration

Motorconfiguration	CSIR
Power supply (nominal)	220-240V/50Hz 1~
Refrigerant	R134a
Application	HBP
Voltage range	198-254V
Starting torque	HST
Approvals	VDE

Electrical accessories / wiring diagram

CSIR



Components

a2	relay	117U6019
c	start capacitor (80μF)	117U5017
d	cord relief	103N1004
b	plastic cover	103N2009

Ambient/ machine room temperatures minimum /maximum

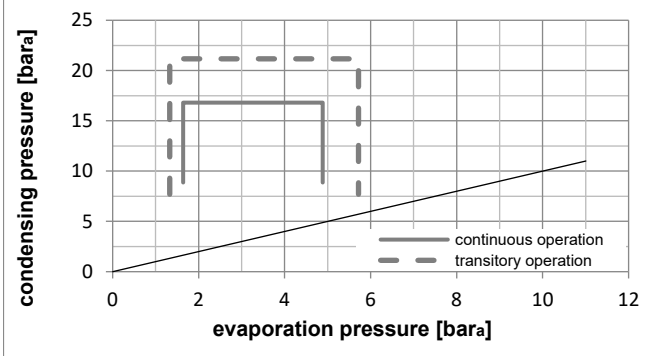
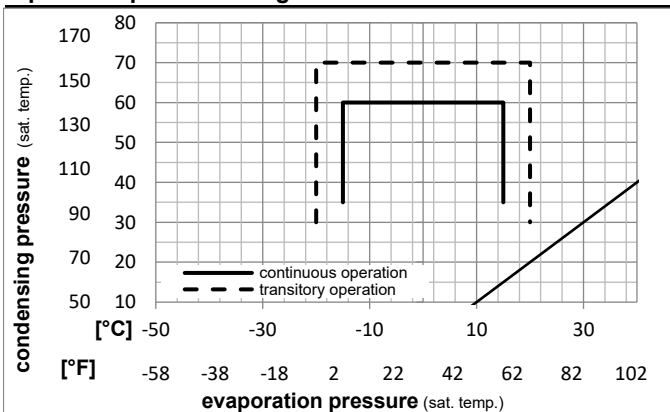
Ambient temperature range: 10 - 43°C / 50 - 110°F

Machine room temperature range: 10 - 48°C / 50 - 119°F

Compressor cooling: fan 3m/s

Operation Limits

Operation pressure range



Model

Designation **SC18GH** **220-240V/50Hz** Conf. 1 Sales code: **104G8860**

Optimization + standard conditions

R134a, 220V/50Hz, CSIR, fan 3m/s, VDE

		Evaporating pressure (saturation temperature)				Condensing pressure (saturation temperature)			Return gas temp.			Liquid temp.			Cooling capacity			COP	EER	Power consumption			
		pe	pc	RGT	Tliq	[W]	[Btu/h]	[kcal/h]	[W/W]	[Btu/Wh]	[kcal/Wh]	P1	I	Ref. mass flow									
[°C]	[°F]											[W]	[A]	[kg/h]									
7,2	45	54	35	46	1632,7	5576	1405,1	2,27	7,75	1,95	719,6	3,95	36,22	ASHRAE HBP									
5	41	55	32	55	1340,1	4577	1153,3	1,92	6,57	1,66	696,8	3,85	33,02	cecomaf HBP									
5	41	50	20	50	1396,6	4770	1201,9	2,12	7,22	1,82	660,3	3,72	35,19	EN12900 HBP									
-7	20	54	35	46	876,5	2993	754,3	1,62	5,52	1,39	542,3	3,27	19,12	ASHRAE MBP									
-10	14	55	32	55	675,6	2307	581,4	1,36	4,63	1,17	497,9	3,13	16,34	cecomaf MBP									
-10	14	45	20	45	771,9	2636	664,3	1,64	5,61	1,41	469,8	3,04	18,07	EN12900 MBP									

Performance tables

R134a, 220V/50Hz, CSIR, fan 3m/s, VDE

	pe		Cooling capacity			COP	EER	P1	I	m	
	[°C]	[°F]	[W]	[Btu/h]	[kcal/h]	[W/W]	[Btu/Wh]	[kcal/Wh]	[W]	[A]	[kg/h]
[°C / °F]	-15	5	624,1	2131	537,1	1,52	5,18	1,31	411,1	2,87	13,60
cond. pressure	-10	14	800,8	2735	689,2	1,70	5,82	1,47	469,8	3,04	17,53
pc= 45/113	-5	23	1019,9	3483	877,7	1,94	6,64	1,67	524,9	3,22	22,43
return gas temp.	0	32	1280,8	4374	1102,2	2,22	7,58	1,91	577,1	3,40	28,32
RGT= 32/90	5	41	1583,0	5406	1362,3	2,53	8,63	2,17	626,7	3,60	35,24
liquid temp	10	50	1925,9	6577	1657,5	2,86	9,75	2,46	674,3	3,80	43,22
Tliq= 45/113	15	59	2309,1	7886	1987,2	3,21	10,95	2,76	720,2	4,00	52,30
[°C / °F]	-15	5	539,0	1841	463,8	1,27	4,33	1,09	424,8	2,90	12,97
cond. pressure	-10	14	675,6	2307	581,4	1,36	4,63	1,17	497,9	3,13	16,34
pc= 55/131	-5	23	855,0	2920	735,8	1,51	5,15	1,30	567,3	3,36	20,78
return gas temp	0	32	1076,7	3677	926,6	1,70	5,80	1,46	633,5	3,60	26,34
RGT= 32/90	5	41	1340,1	4577	1153,3	1,92	6,57	1,66	696,8	3,85	33,02
liquid temp	10	50	1644,7	5617	1415,4	2,17	7,41	1,87	757,9	4,11	40,88
Tliq= 55/131	15	59	1989,9	6796	1712,6	2,44	8,32	2,10	817,0	4,38	49,98



SC Compressors





SC Compressors

Service/Repair – R290



8545



Secop accepts no responsibility for possible errors in catalogs, brochures, and other printed material. Secop reserves the right to alter its products without notice. This also applies to products already on order provided that such alterations can be made without subsequent changes being necessary to specifications already agreed. All trademarks in this material are the property of the respective companies. Secop and the Secop logotype are trademarks of Secop GmbH. All rights reserved. www.secop.com