

## Single Pack NLX10KK.2 220-240V 50Hz RSCR

Single pack code number: **195B4423**

Position	Title	Code	Amount
1	Compressor NLX10KK.2	105H6101	1
2	PTC starting device (220V, 250hm, 4.8mm)	103N0021	1
3	Protection screen for PTC	103N0476	1
4	Run capacitor holder	117-0300	1
5	Screw for bracket M4x8mm	117-0301	1
6	Run capacitor (2μF 320V, 4.8mm)	117-7136	1
7	Cord relief	103N1010	1
8	Cover	103N2011	1
9	Bolt joint for one compressor   M6   ø16mm	118-1917	1

**Secop GmbH** • Lise-Meitner-Straße 29 • 24941 Flensburg, Germany • Tel: +49 461 4941 0 • [www.secop.com](http://www.secop.com)

Secop accepts no responsibility for possible errors in catalogs, brochures, and other printed material. Secop reserves the right to alter its products without notice. This also applies to products already on order provided that such alterations can be made without subsequent changes being necessary to specifications already agreed. All trademarks in this material are the property of the respective companies. Secop and the Secop logotype are trademarks of Secop GmbH. All rights reserved.

## Model

Designation	<b>NLX10KK.2</b>	220-240V/50Hz 1~	Sales code:	<b>105H6101</b>
-------------	------------------	------------------	-------------	-----------------

## Compressor design

Oil type	Polyolester	Refrigerant(s)	<b>R600a</b>
Oil viscosity	10,4cST	Displacement	10,09cm <sup>3</sup> / 0,62cu.in
Oil quantity	265cm <sup>3</sup> / 9fl.oz	Compressors on pallet	80
Refr. charge - tech. limit	150g / 5,3oz		
Free gas volume comp.	2360cm <sup>3</sup> / 79,8fl.oz		
Weight	10,7kg / 23,6lbs		
Motor protection	1# internal		
Winding resistance main	19,4Ω (at 25°C)		
Winding resistance aux	35Ω (at 25°C)		
Max. winding temp.	95°C / 203°F		
Max. discharge temp.	125°C / 257°F		



## General - Configurations with NLX10KK.2

	<b>Conf. 1</b>	<b>Conf. 2</b>
Motorconfiguration	RSCR	eRSCR
Power supply (nominal)	220-240V/50Hz	220-240V/50Hz
Number of phases	1	1
Voltage range	198-254V	198-254V
Approvals	VDE, CCC, EAC	VDE, CCC, EAC
Starting torque	LST	LST
Note	- / -	

## Applications with NLX10KK.2

	<b>Conf. 1</b>	<b>Conf. 2</b>
Refrigerant	R600a	R600a
Application	LBP	LBP
System cooling	static	static
Hot gas defrost	- / -	- / -
Long interval pull down	- / -	- / -

## Electrical data - Configurations with NLX10KK.2

	<b>Conf. 1</b>	<b>Conf. 2</b>
Starting device type	PTC	e-PTC
Run capacitor	2μF	4μF
Start capacitor	- / -	- / -
LRA (locked rotor amps / 4s/ U(N))	3,2A	3,2A
RLA (rated load amps / 1s/ U(N))	0,6A	0,6A
Cut in current (U(N))	6A	6A

## Model

Designation

**NLX10KK.2**

220-240V/50Hz 1~

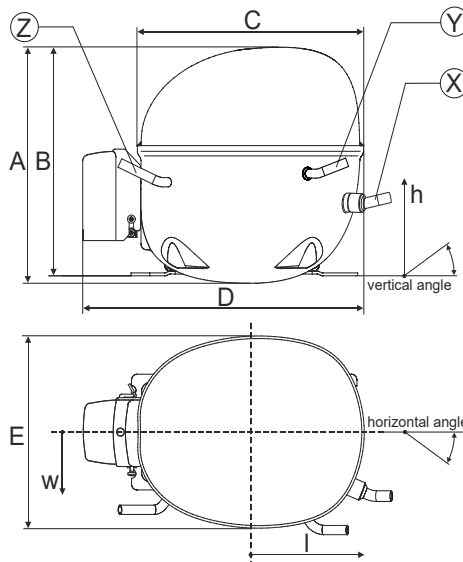
Sales code:

**105H6101**

## Compressor dimensions

Housing	A Height	203mm / 7,99in
	B Height	197mm / 7,76in
	C Length shell	205mm / 8,07in
	D Length w. cover	254mm / 10in
	E Width	166mm / 6,54in

Connectors		Suction	Discharge	Process
		X	Y	Z
Diameter	[mm]	øi 6,11-6,29	øi 5,12-5,22	øi 6,11-6,29
(i:inside, o:outside)	[in]	øi 0,24-0,25	øi 0,2-0,21	øi 0,24-0,25
Material		copper	copper	copper
Horizontal angle	±2°	0°	0°	0°
Vertical angle	±2°	15°	21°	155°
Position l/h/w	[mm]	133/71/57	91/103/81	-107/94/72
	[in]	5,2/2,8/2,2	3,6/4/3,2	-4,2/3,7/2,8
Straight tube l.	[mm]	12	12	12
	[in]	0,5	0,5	0,5



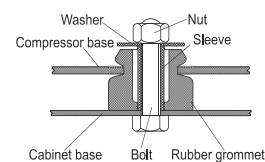
## Compressor fixation



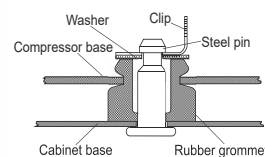
Baseplate	[mm]	[inch]
BI	204	8.03
Bw	100	3.94

Small holes	[mm]	[inch]
SI	170	6.7
Sw	70	2.76
S2l	178	7
øS	ø 16	ø 0.63

### Bolt joint



### Snap-on



## Mounting accessories

Mounting accessories	one comp.	multi pack
Bolt joint   M6   ø16mm	118-1917	118-1918
Bolt joint   ø1/4"   ø16mm	118-1946	
Bolt joint   ø1/4"   ø19mm	118-1949	
Snap-on   ø7,3   ø16mm	118-1947	118-1919

## Application notes

Provision for PE Grounding is located at the PE Stamp on the compressor

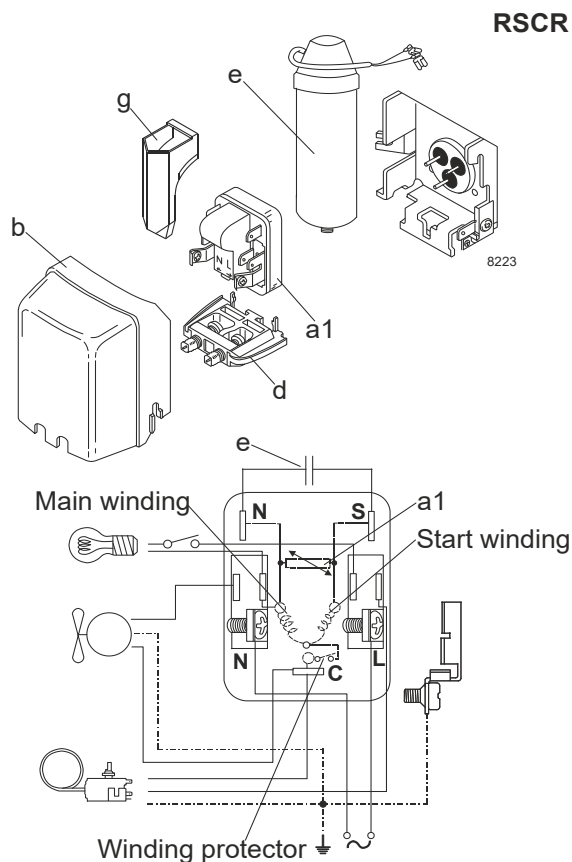
## Model

Designation	<b>NLX10KK.2</b>	<b>220-240V/50Hz</b>	<b>Conf. 1</b>	Sales code:	<b>105H6101</b>
-------------	------------------	----------------------	----------------	-------------	-----------------

## Configuration

Motorconfiguration	RSCR
Power supply (nominal)	220-240V/50Hz 1~
Refrigerant	R600a
Application	LBP
Voltage range	198-254V
Starting torque	LST
Approvals	VDE
	CCC
	EAC

## Electrical accessories / wiring diagram



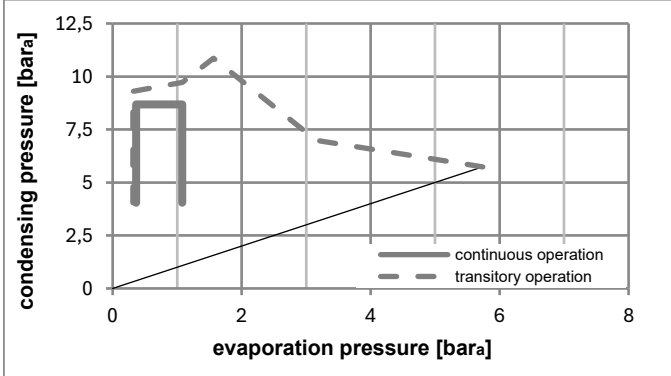
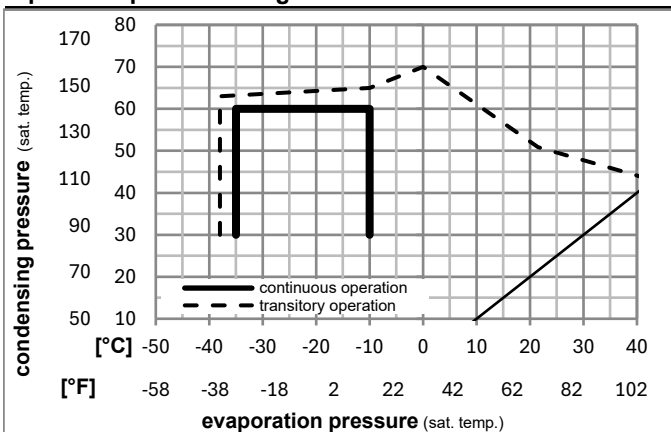
## Ambient/ machine room temperatures minimum /maximum

Ambient temperature range: 10 - 43°C / 50 - 110°F

Machine room temperature range: 10 - 48°C / 50 - 119°F

Compressor cooling: static

## Operation pressure range



## Components

a1	PTC starter (220V, 25Ohm, 4.8mm)	103N0021
e	run capacitor (2μF, 4.8mm)	117-7136
b	plastic cover	103N2010
d	cord relief	103N1010
g	protection screen for PTC	103N0476
	bracket for run capacitor	117-0300

## Alternative components

b	plastic cover	103N2011
	screw M4x8mm	117-0301

### Model

Designation **NLX10KK.2** **220-240V/50Hz** Conf. 1 Sales code: **105H6101**

### Optimization + standard conditions

R600a, 220V/50Hz, RSCR, static, VDE, CCC, EAC

	pe	pc	RGT	Tliq	Cooling capacity	COP	EER	P1	I	Ref. mass flow	
	[°C]	[°C]	[°C]	[°C]	[W]	[W/W]	[Btu/Wh]	[W]	[A]	[kg/h]	
	[°F]	[°F]	[°F]	[°F]	[Btu/h]	[kcal/h]	[kcal/Wh]	[W]	[A]	[kg/h]	
ASHRAE LBP	-23	54	32	32	177,1	1,89	6,44	93,9	0,46	1,90	
	-10	130	90	90							
cecomaf LBP	-25	55	32	55	133,0	1,49	5,08	89,5	0,44	1,74	
	-13	131	90	131							
EN12900 LBP	-35	40	20	40	95,4	1,53	5,23	62,3	0,32	1,16	
	-31	104	68	104							
ARI540 LBP	-23	49	4,4	49	145,3	1,59	5,44	91,2	0,45	2,12	
	-10	120	40	120							
AHAM LBP	-23	41	32	32	192,6	2,25	7,68	85,7	0,42	2,07	
	-10	105	90	90							
opt	-35	45	32	45	91,0	1,43	4,89	63,5	0,32	1,08	
	-31	113	90	113							

### Performance tables

R600a, 220V/50Hz, RSCR, static, VDE, CCC, EAC

	pe	Cooling capacity			COP	EER	P1	I	m		
	[°C]	[°F]	[W]	[Btu/h]	[kcal/h]	[W/W]	[Btu/Wh]	[kcal/Wh]	[W]	[A]	[kg/h]
[°C / °F]	-35	-31	91,0	311	78,3	1,43	4,89	1,23	63,5	0,32	1,08
cond. pressure	-30	-22	120,6	412	103,8	1,63	5,57	1,40	74,0	0,37	1,43
pc= 45/113	-25	-13	156,4	534	134,6	1,84	6,28	1,58	85,0	0,42	1,86
return gas temp.	-23	-10	170,1	581	146,4	1,91	6,54	1,65	88,9	0,44	2,03
RGT= 32/90	-20	-4	199,2	680	171,4	2,06	7,04	1,77	96,7	0,47	2,38
liquid temp	-15	5	250,0	854	215,2	2,29	7,82	1,97	109,2	0,53	2,99
Tliq= 45/113	-10	14	309,7	1058	266,5	2,52	8,62	2,17	122,7	0,59	3,71
[°C / °F]	-35	-31	74,5	254	64,1	1,17	4,01	1,01	63,5	0,32	0,97
cond. pressure	-30	-22	101,0	345	87,0	1,33	4,53	1,14	76,2	0,38	1,32
pc= 55/131	-25	-13	133,0	454	114,5	1,49	5,08	1,28	89,5	0,44	1,74
return gas temp	-23	-10	145,3	496	125,1	1,54	5,27	1,33	94,2	0,46	1,90
RGT= 32/90	-20	-4	171,4	585	147,5	1,65	5,65	1,42	103,6	0,51	2,24
liquid temp	-15	5	217,0	741	186,7	1,83	6,25	1,58	118,5	0,58	2,84
Tliq= 55/131	-10	14	270,7	924	232,9	2,01	6,87	1,73	134,5	0,65	3,55

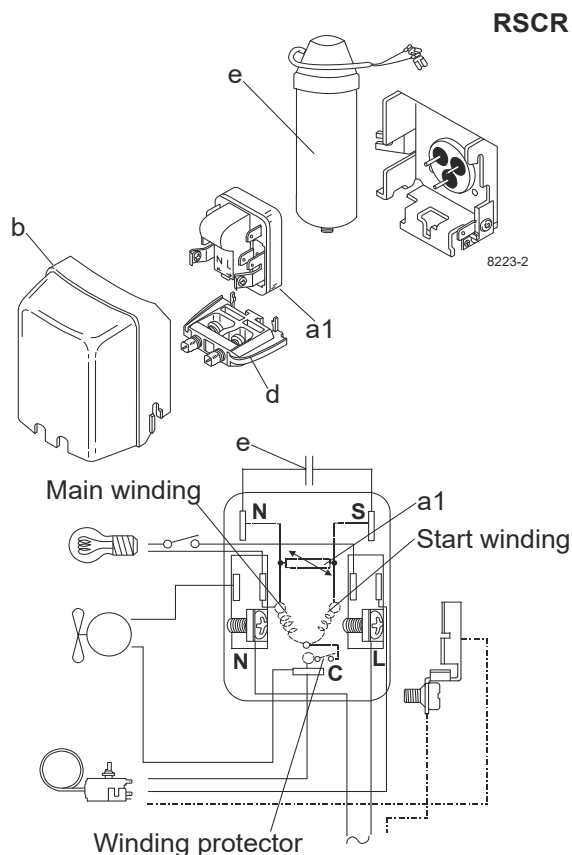
## Model

Designation	<b>NLX10KK.2</b>	<b>220-240V/50Hz</b>	<b>Conf. 2</b>	Sales code:	<b>105H6101</b>
-------------	------------------	----------------------	----------------	-------------	-----------------

## Configuration

Motorconfiguration	eRSCR
Power supply (nominal)	220-240V/50Hz 1~
Refrigerant	R600a
Application	LBP
Voltage range	198-254V
Starting torque	LST
Approvals	VDE
	CCC
	EAC

## Electrical accessories / wiring diagram



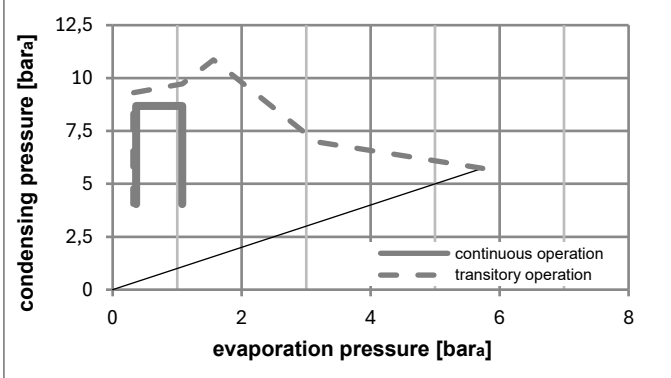
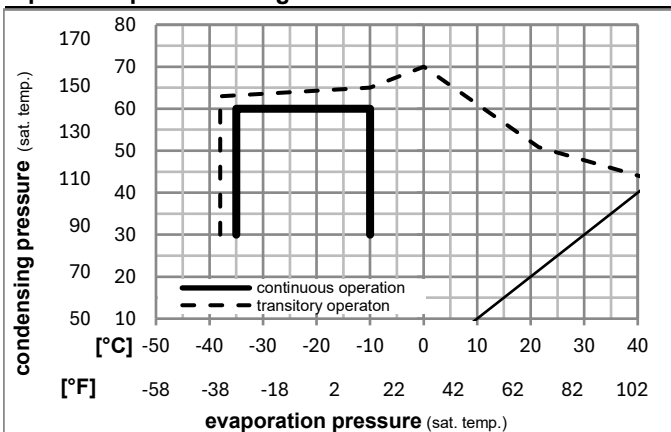
## Ambient/ machine room temperatures minimum /maximum

Ambient temperature range: 10 - 43°C / 50 - 110°F

Machine room temperature range: 10 - 48°C / 50 - 119°F

Compressor cooling: static

## Operation pressure range



## Components

a1	e-PTC starter (220V, 250hm, 4.8mm)	103N0050
e	run capacitor (4μF, 4.8mm)	117-7119
b	plastic cover	103N2010
d	cord relief bracket for run capacitor	103N1010
	screw M4x8mm	117-0301

## Alternative components

b	plastic cover	103N2011
---	---------------	----------

## Model

Designation **NLX10KK.2** **220-240V/50Hz** Conf. 2 Sales code: **105H6101**

## Optimization + standard conditions

R600a, 220V/50Hz, eRSCR, static, VDE, CCC, EAC

	Evaporating pressure (saturation temperature)				Cooling capacity			COP	EER			Power consumption			ASHRAE LBP
	pe	pc	RGT	Tliq	[W]	[Btu/h]	[kcal/h]		[W/W]	[Btu/Wh]	[kcal/Wh]	P1	I	m	
[°C]	-23	54	32	32	177,1	605	152,4	1,89	6,44	1,62	93,9	0,46	1,90		
[°F]	-10	130	90	90											
[°C]	-25	55	32	55	133,0	454	114,5	1,49	5,08	1,28	89,5	0,44	1,74	cecomaf LBP	
[°F]	-13	131	90	131											
[°C]	-35	40	20	40	95,4	326	82,1	1,53	5,23	1,32	62,3	0,32	1,16	EN12900 LBP	
[°F]	-31	104	68	104											
[°C]	-23	49	4,4	49	145,3	496	125,1	1,59	5,44	1,37	91,2	0,45	2,12	ARI540 LBP	
[°F]	-10	120	40	120											
[°C]	-23	41	32	32	192,6	658	165,8	2,25	7,68	1,93	85,7	0,42	2,07	AHAM LBP	
[°F]	-10	105	90	90											
[°C]	-35	45	32	45	91,0	311	78,3	1,43	4,89	1,23	63,5	0,32	1,08	opt	
[°F]	-31	113	90	113											

## Performance tables

R600a, 220V/50Hz, eRSCR, static, VDE, CCC, EAC

	pe		Cooling capacity			COP	EER		P1	I	m
	[°C]	[°F]	[W]	[Btu/h]	[kcal/h]		[W/W]	[Btu/Wh]			
[°C / °F]	-35	-31	91,0	311	78,3	1,43	4,89	1,23	63,5	0,32	1,08
cond. pressure	-30	-22	120,6	412	103,8	1,63	5,57	1,40	74,0	0,37	1,43
pc= 45/113	-25	-13	156,4	534	134,6	1,84	6,28	1,58	85,0	0,42	1,86
return gas temp.	-23	-10	170,1	581	146,4	1,91	6,54	1,65	88,9	0,44	2,03
RGT= 32/90	-20	-4	199,2	680	171,4	2,06	7,04	1,77	96,7	0,47	2,38
liquid temp	-15	5	250,0	854	215,2	2,29	7,82	1,97	109,2	0,53	2,99
Tliq= 45/113	-10	14	309,7	1058	266,5	2,52	8,62	2,17	122,7	0,59	3,71
[°C / °F]	-35	-31	74,5	254	64,1	1,17	4,01	1,01	63,5	0,32	0,97
cond. pressure	-30	-22	101,0	345	87,0	1,33	4,53	1,14	76,2	0,38	1,32
pc= 55/131	-25	-13	133,0	454	114,5	1,49	5,08	1,28	89,5	0,44	1,74
return gas temp	-23	-10	145,3	496	125,1	1,54	5,27	1,33	94,2	0,46	1,90
RGT= 32/90	-20	-4	171,4	585	147,5	1,65	5,65	1,42	103,6	0,51	2,24
liquid temp	-15	5	217,0	741	186,7	1,83	6,25	1,58	118,5	0,58	2,84
Tliq= 55/131	-10	14	270,7	924	232,9	2,01	6,87	1,73	134,5	0,65	3,55



# NL Compressors



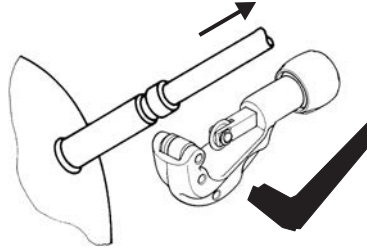




## Service/Repair – R600a, R290



8545



## Brazing on Suction Connectors (Direct Intake)

representative image



**! max. 150°C/302°F !  
at socket**  
brazing solder: phosphor (LP7) or silver

Refer to Product Bulletin:  
**Brazing on Suction Connectors  
(Compressors with Direct Suction Intake)**

Secop accepts no responsibility for possible errors in catalogs, brochures, and other printed material. Secop reserves the right to alter its products without notice. This also applies to products already on order provided that such alterations can be made without subsequential changes being necessary to specifications already agreed. All trademarks in this material are the property of the respective companies. Secop and the Secop logotype are trademarks of Secop GmbH. All rights reserved. [www.secop.com](http://www.secop.com)