

Single Pack SCE18CNLX 115V 60Hz CSCR

Single pack code number: **195B4435**

Position	Title	Code	Amount
1	Compressor SCE18CNLX	104H7878	1
2	SC starting device (600mm)	117-7801	1
3	Bolt joint for one compressor M6 ø16mm	118-1917	1

Secop GmbH • Lise-Meitner-Straße 29 • 24941 Flensburg, Germany • Tel: +49 461 4941 0 • www.secop.com

Secop accepts no responsibility for possible errors in catalogs, brochures, and other printed material. Secop reserves the right to alter its products without notice. This also applies to products already on order provided that such alterations can be made without subsequent changes being necessary to specifications already agreed. All trademarks in this material are the property of the respective companies. Secop and the Secop logotype are trademarks of Secop GmbH. All rights reserved.

Model

Designation	SCE18CNLX	115V/60Hz 1~	Sales code:	104H7878
-------------	------------------	--------------	-------------	-----------------

Compressor design

Oil type	Polyolester	Refrigerant(s)	R290
Oil viscosity	32cSt	Displacement	17,68cm ³ / 1,08cu.in
Oil quantity	550cm ³ / 18,6fl.oz	Compressors on pallet	80
Refr. charge - tech. limit	450g / 15,9oz		
Free gas volume comp.	1460cm ³ / 49,4fl.oz		
Weight	14,2kg / 31,3lbs		
Motor protection	external		
Winding resistance main	0,82Ω (at 25°C)		
Winding resistance aux	2,9Ω (at 25°C)		
Max. winding temp.	125°C / 257°F		
Max. discharge temp.	140°C / 284°F		



General - Configurations with SCE18CNLX

	Conf. 1	Conf. 2
Motorconfiguration	CSCR	CSCR
Power supply (nominal)	115V/60Hz	115V/60Hz
Number of phases	1	1
Voltage range	103-127V	95-135V
Approvals	UL	UL
Starting torque	HST	HST
Note	Protector and cover are included and pre-assembled to compressor.	

Applications with SCE18CNLX

	Conf. 1	Conf. 2
Refrigerant	R290	R290
Application	LBP	LBP
System cooling	fan 3m/s	fan 3m/s
Hot gas defrost	OK	OK
Long interval pull down	-/-	-/-

Electrical data - Configurations with SCE18CNLX

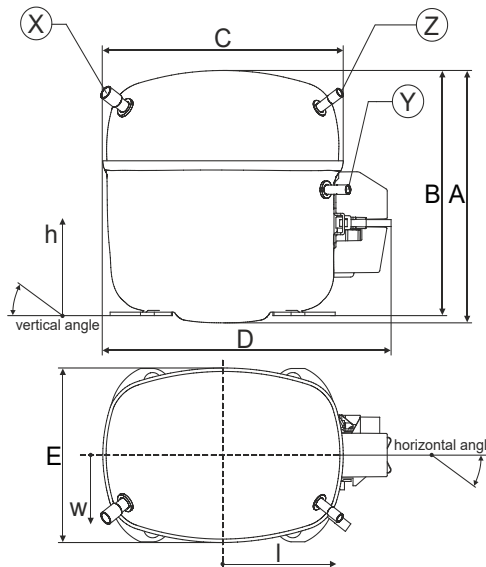
	Conf. 1	Conf. 2
Starting device type	relay	relay
Run capacitor	23,5μF	23,5μF
Start capacitor	280μF	280μF
LRA (locked rotor amps / 4s/ U(N))	44,12A	44,12A
RLA (rated load amps / 1s/ U(N))	7,48A	7,48A
Cut in current (U(N))	44,12A	44,12A

Model

Designation	SCE18CNLX	115V/60Hz 1~	Sales code:	104H7878
-------------	------------------	--------------	-------------	-----------------

Compressor dimensions

Housing	A Height	219mm / 8,62in
	B Height	213mm / 8,39in
	C Length shell	218mm / 8,58in
	D Length w. cover	255mm / 10,04in
	E Width	151mm / 5,94in



Connectors		Suction	Discharge	Process
		X	Y	Z
Diameter	[mm]	øi 9,54-9,72	øi 6,41-6,59	øi 6,41-6,59
(i:inside, o:outside)	[in]	øi 0,38-0,38	øi 0,25-0,26	øi 0,25-0,26
Material		copper	copper	copper
Horizontal angle	±2°	37°	37°	143°
Vertical angle	±2°	30°	0°	150°
Position l/h/w	[mm]	107/193/55	115/110/63	-107/193/55
	[in]	4,2/7,6/2,2	4,5/4,3/2,5	-4,2/7,6/2,2
Straight tube l.	[mm]	12	12	12
	[in]	0,5	0,5	0,5

Compressor fixation

Baseplate	[mm]	[inch]
BI	204	8.03
Bw	150	5.9
øE	ø 9.7	ø 0.38

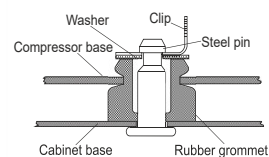
Large holes	[mm]	[inch]
LI	165	6.5
Lw	101.6	4
øL	ø 19	ø 0.75

Small holes	[mm]	[inch]
SI	170	6.7
Sw	70	2.76
øS	ø 16	ø 0.63
QI	127	5
Qw	127	5

Bolt joint



Snap-on



Mounting accessories

	one comp.	multi pack
Bolt joint M6 ø16mm	118-1917	118-1918
Bolt joint ø1/4" ø16mm	118-1946	
Bolt joint ø1/4" ø19mm	118-1949	
Snap-on ø7,3 ø16mm	118-1947	118-1919

Application notes

Provision for PE Grounding is located at the PE Stamp on the compressor

Model

Designation	SCE18CNLX	115V/60Hz	Conf. 1	Sales code:	104H7878
-------------	------------------	------------------	----------------	-------------	-----------------

Configuration

Motorconfiguration	CSCR
Power supply (nominal)	115V/60Hz 1~
Refrigerant	R290
Application	LBP
Voltage range	103-127V
Starting torque	HST
Approvals	UL

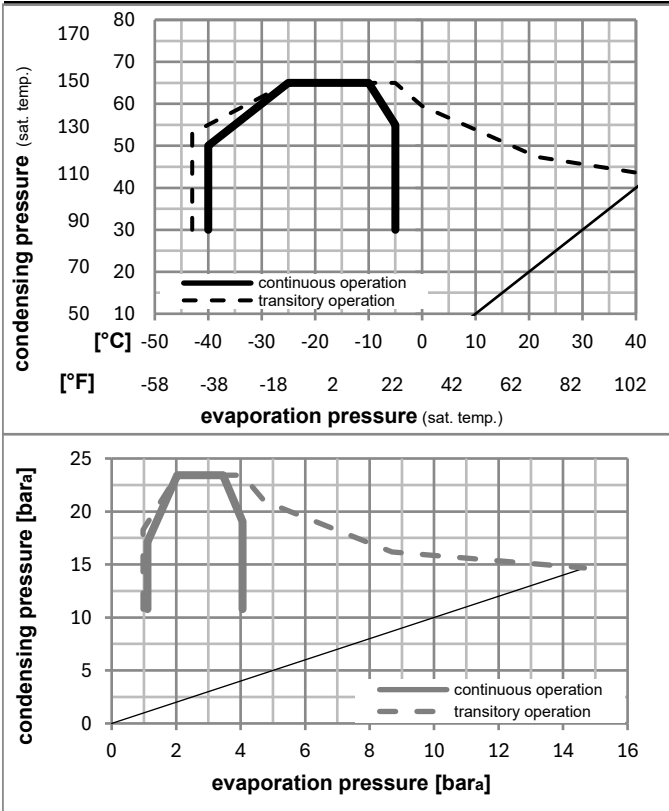
Electrical accessories / wiring diagram



Ambient/ machine room temperatures minimum /maximum

Ambient temperature range:	10 - 43°C / 50 - 110°F
Machine room temperature range:	10 - 48°C / 50 - 119°F
Compressor cooling:	fan 3m/s

Operation pressure range



Components (protector (f)+ holder (h)+ cover (b): pre assembled)

a3	SC starter kit (550mm)	117-7801
h	protector holder	117U0439
f	ext. protector (T1100)	117U3219
b	plastic cover + clamp	117U1021

Alternative comp.

a2	potential relay (RVA 7AA3R)	117-7441
e	run capacitor (23,5μF, 6.3mm)	117-7133
c	start capacitor (280μF, 6.3mm)	117U5350

Model

Designation	SCE18CNLX	115V/60Hz	Conf. 1	Sales code:	104H7878
-------------	------------------	------------------	----------------	-------------	-----------------

Optimization + standard conditions

R290, 115V/60Hz, CSCR, fan 3m/s, UL

	pe	pc	RGT	Tliq	Cooling capacity	COP	EER	P1	I	Ref. mass flow	
	[°C]	[°C]	[°C]	[°C]	[W]	[W/W]	[Btu/Wh]	[W]	[A]	[kg/h]	
ASHRAE LBP	-23	54	32	32	943,6	1,61	5,50	586,2	5,89	9,56	
	[°F]				[Btu/h]		[kcal/h]				
	-10	130	90	90	3223		1,39				
cecomaf LBP	-25	55	32	55	693,9	1,25	4,25	557,0	5,66	8,64	
	[°F]										
	-13	131	90	131	2370		1,07				
EN12900 LBP	-35	40	20	40	465,5	1,16	3,96	401,0	4,46	5,32	
	[°F]										
	-31	104	68	104	1590		1,00				
ARI540 LBP	-23	49	4,4	49	786,1	1,35	4,63	580,4	5,84	10,89	
	[°F]										
	-10	120	40	120	2685		1,17				
AHAM LBP	-23	41	32	32	1076,0	1,91	6,51	564,8	5,70	10,90	
	[°F]										
	-10	105	90	90	3675		1,64				
opt	-35	45	32	45	403,5	1,03	3,51	392,8	4,41	4,52	
	[°F]										
	-31	113	90	113	1378		0,88				

Performance tables

R290, 115V/60Hz, CSCR, fan 3m/s, UL

	pe	Cooling capacity	COP	EER	P1	I	m				
	[°C]	[°F]	[W]	[Btu/h]	[kcal/h]	[W/W]	[Btu/Wh]	[kcal/Wh]	[W]	[A]	[kg/h]
[°C / °F]	-40	-40	163,1	557	140,3	0,53	1,81	0,46	307,7	3,82	1,82
cond. pressure	-34	-30	428,9	1465	369,1	1,07	3,64	0,92	402,0	4,47	4,81
pc= 45/113	-29	-20	677,1	2312	582,7	1,38	4,71	1,19	490,6	5,13	7,62
return gas temp.	-23	-10	928,9	3172	799,5	1,62	5,53	1,39	573,2	5,78	10,49
RGT= 32/90	-21	-5	1062,9	3630	914,8	1,74	5,93	1,49	612,1	6,09	12,03
liquid temp	-15	5	1360,5	4646	1170,9	1,99	6,78	1,71	685,0	6,70	15,48
Tliq= 45/113	-5	23	2054,7	7017	1768,3	2,57	8,79	2,21	798,7	7,70	23,66
[°C / °F]	-40	-40	75,8	259	65,2	0,27	0,93	0,24	277,5	3,62	0,93
cond. pressure	-34	-30	319,1	1090	274,7	0,83	2,84	0,72	384,0	4,35	3,95
pc= 55/131	-29	-20	540,5	1846	465,2	1,11	3,79	0,96	487,0	5,11	6,71
return gas temp	-23	-10	761,3	2600	655,2	1,30	4,43	1,12	586,3	5,89	9,49
RGT= 32/90	-21	-5	878,2	2999	755,8	1,38	4,73	1,19	634,5	6,29	10,98
liquid temp	-15	5	1138,4	3888	979,7	1,56	5,34	1,35	727,6	7,07	14,31
Tliq= 55/131	-5	23	1754,5	5992	1509,9	1,99	6,78	1,71	883,3	8,45	22,35

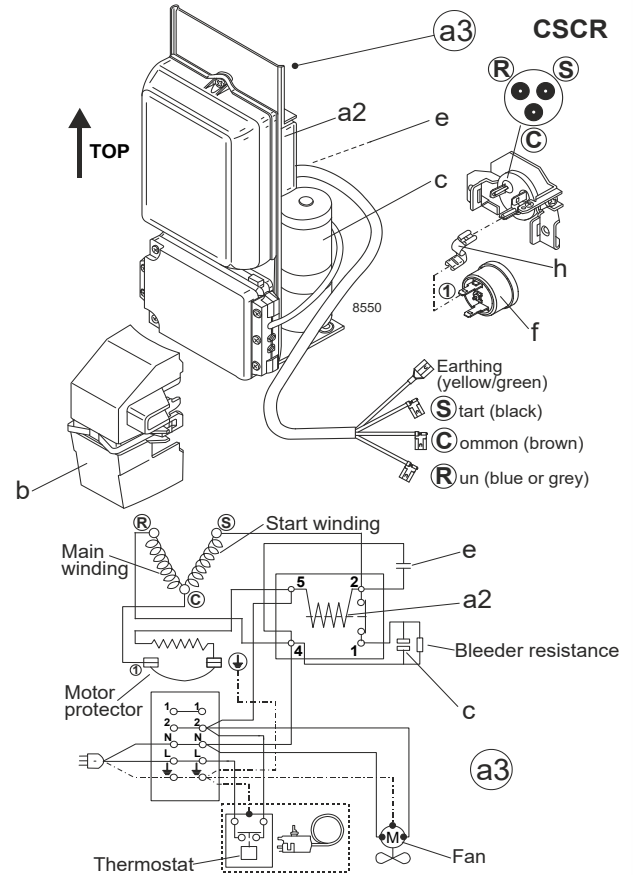
Model

Designation	SCE18CNLX	115V/60Hz	Conf. 2	Sales code:	104H7878
-------------	------------------	------------------	----------------	-------------	-----------------

Configuration

Motorconfiguration	CSCR
Power supply (nominal)	115V/60Hz 1~
Refrigerant	R290
Application	LBP
Voltage range	95-135V
Starting torque	HST
Approvals	UL

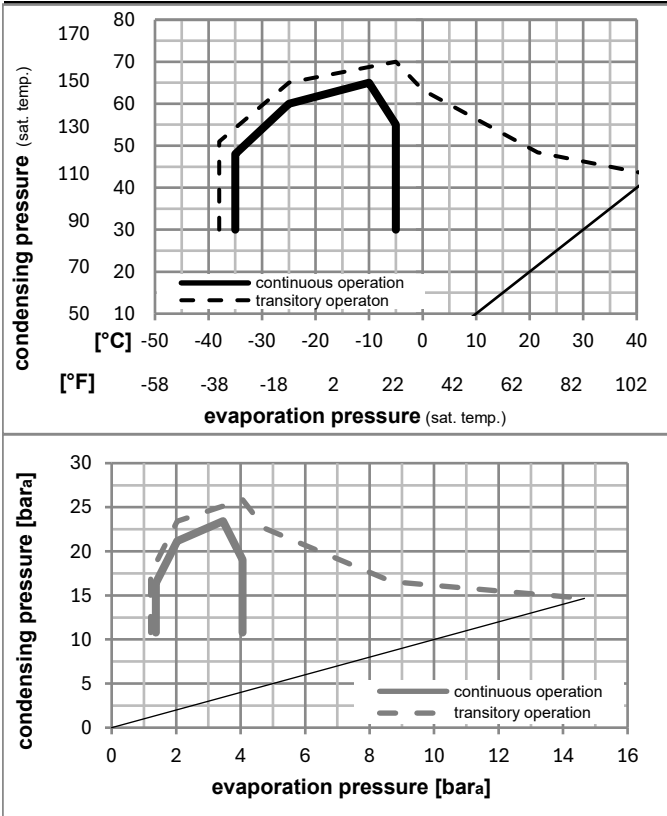
Electrical accessories / wiring diagram



Ambient/ machine room temperatures minimum /maximum

Ambient temperature range:	10 - 43°C / 50 - 110°F
Machine room temperature range:	10 - 48°C / 50 - 119°F
Compressor cooling:	fan 3m/s

Operation pressure range



Components (protector (f)+ holder (h)+ cover (b): pre assembled)

a3	SC starter kit (550mm)	117-7801
h	protector holder	117U0439
f	ext. protector (T1100)	117U3219
b	plastic cover + clamp	117U1021

Alternative comp.

a2	potential relay (RVA 7AA3R)	117-7441
e	run capacitor (23,5μF, 6.3mm)	117-7133
c	start capacitor (280μF, 6.3mm)	117U5350

Model

Designation **SCE18CNLX 115V/60Hz** Conf. 2 Sales code: **104H7878**

Optimization + standard conditions

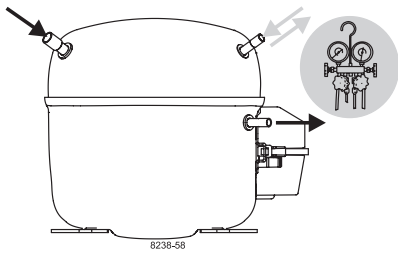
R290, 115V/60Hz, CSCR, fan 3m/s, UL

	Evaporating pressure (saturation temperature)				Cooling capacity			COP	EER			Power consumption			ASHRAE LBP
	pe	pc	RGT	Tliq	[W]	[Btu/h]	[kcal/h]		[W/W]	[Btu/Wh]	[kcal/Wh]	P1	I	m	
[°C]	-23	54	32	32	943,6	3223	812,1	1,61	5,50	1,39	586,2	5,89	9,56		
[°F]	-10	130	90	90											
[°C]	-25	55	32	55	693,9	2370	597,2	1,25	4,25	1,07	557,0	5,66	8,64	cecomaf LBP	
[°F]	-13	131	90	131											
[°C]	-35	40	20	40	465,5	1590	400,6	1,16	3,96	1,00	401,0	4,46	5,32	EN12900 LBP	
[°F]	-31	104	68	104											
[°C]	-23	49	4,4	49	786,1	2685	676,5	1,35	4,63	1,17	580,4	5,84	10,89	ARI540 LBP	
[°F]	-10	120	40	120											
[°C]	-23	41	32	32	1076,0	3675	926,0	1,91	6,51	1,64	564,8	5,70	10,90	AHAM LBP	
[°F]	-10	105	90	90											
[°C]	-35	45	32	45	403,5	1378	347,3	1,03	3,51	0,88	392,8	4,41	4,52	opt	
[°F]	-31	113	90	113											

Performance tables

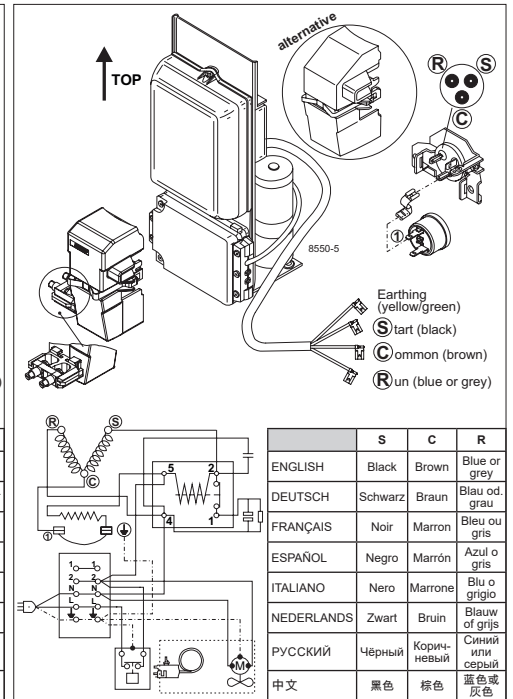
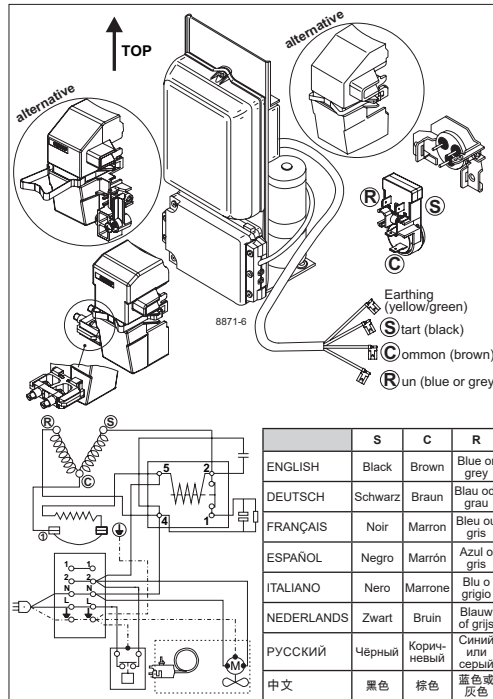
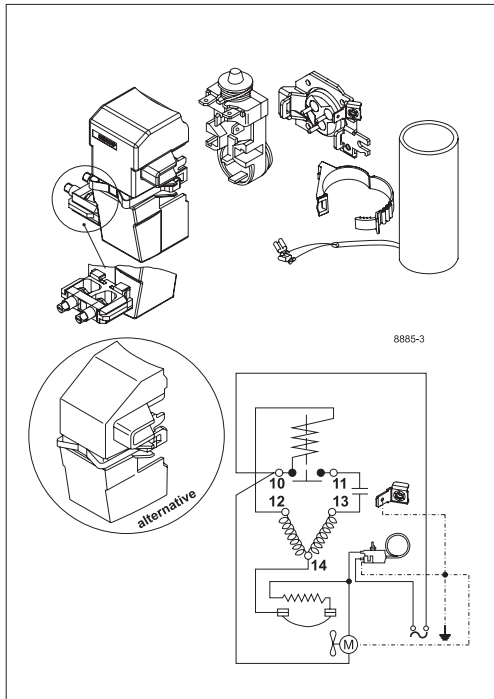
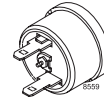
R290, 115V/60Hz, CSCR, fan 3m/s, UL

	pe		Cooling capacity			COP	EER		P1	I	m
	[°C]	[°F]	[W]	[Btu/h]	[kcal/h]	[W/W]	[Btu/Wh]	[kcal/Wh]	[W]	[A]	[kg/h]
[°C / °F]	-35	-31	403,5	1378	347,3	1,03	3,51	0,88	392,8	4,41	4,52
cond. pressure	-29	-20	677,1	2312	582,7	1,38	4,71	1,19	490,6	5,13	7,62
pc= 45/113	-26	-15	801,2	2736	689,5	1,50	5,14	1,29	532,7	5,46	9,03
return gas temp.	-23	-10	928,9	3172	799,5	1,62	5,53	1,39	573,2	5,78	10,49
RGT= 32/90	-21	-5	1062,9	3630	914,8	1,74	5,93	1,49	612,1	6,09	12,03
liquid temp	-15	5	1360,5	4646	1170,9	1,99	6,78	1,71	685,0	6,70	15,48
Tliq= 45/113	-5	23	2054,7	7017	1768,3	2,57	8,79	2,21	798,7	7,70	23,66
[°C / °F]	-35	-31	296,2	1011	254,9	0,79	2,71	0,68	373,5	4,28	3,66
cond. pressure	-29	-20	540,5	1846	465,2	1,11	3,79	0,96	487,0	5,11	6,71
pc= 55/131	-26	-15	649,7	2219	559,1	1,21	4,13	1,04	537,2	5,50	8,08
return gas temp	-23	-10	761,3	2600	655,2	1,30	4,43	1,12	586,3	5,89	9,49
RGT= 32/90	-21	-5	878,2	2999	755,8	1,38	4,73	1,19	634,5	6,29	10,98
liquid temp	-15	5	1138,4	3888	979,7	1,56	5,34	1,35	727,6	7,07	14,31
Tliq= 55/131	-5	23	1754,5	5992	1509,9	1,99	6,78	1,71	883,3	8,45	22,35



SCE Compressors

(External Protector)



	S	C	R
ENGLISH	Black	Brown	Blue or grey
DEUTSCH	Schwarz	Braun	Blau od. grau
FRANÇAIS	Noir	Marron	Bleu ou gris
ESPAÑOL	Negro	Marrón	Azul o gris
ITALIANO	Nero	Marrone	Blu o grigio
NEDERLANDS	Zwart	Bruin	Blauw of grijs
РУССКИЙ	Чёрный	Коричневый	Синий или серый
中文	黑色	棕色	蓝色或灰色

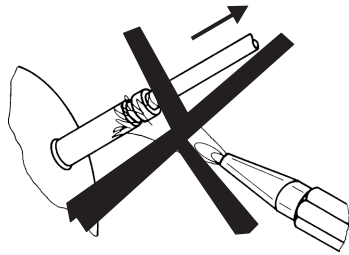
	S	C	R
ENGLISH	Black	Brown	Blue or grey
DEUTSCH	Schwarz	Braun	Blau od. grau
FRANÇAIS	Noir	Marron	Bleu ou gris
ESPAÑOL	Negro	Marrón	Azul o gris
ITALIANO	Nero	Marrone	Blu o grigio
NEDERLANDS	Zwart	Bruin	Blauw of grijs
РУССКИЙ	Чёрный	Коричневый	Синий или серый
中文	黑色	棕色	蓝色或灰色



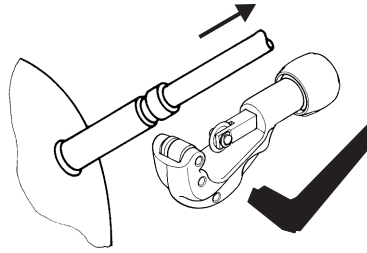
SCE Compressors (External Protector)



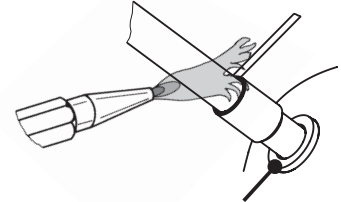
Service/Repair – R290



8545



Brazing on Suction Connectors (Direct Intake)



! max. 350°C/662°F !
at socket
 brazing solder: phosphor (LP7) or silver

8882

Refer to Product Bulletin:
Brazing on Suction Connectors
(SCE Compressors with Direct Suction Intake)

Secop accepts no responsibility for possible errors in catalogs, brochures, and other printed material. Secop reserves the right to alter its products without notice. This also applies to products already on order provided that such alterations can be made without subsequent changes being necessary to specifications already agreed. All trademarks in this material are the property of the respective companies. Secop and the Secop logotype are trademarks of Secop GmbH. All rights reserved. www.secop.com