

Single Pack KLF6.6CND 220-240V 50Hz CSIR

Single pack code number: **195B4596**

Position	Title	Code	Amount
1	Compressor KLF6.6CND	106H2700	1
2	KL accessories	103N1060	1
3	Starting capacitor (80 μ F 220V, 6.3mm)	117U5001	1
4	Starting relay (QLZ-5.5A, overload protector T0377/L6)	117U7071	1
5	Bolt joint for one compressor M6 \varnothing 16mm	118-1917	1

Secop GmbH • Lise-Meitner-Straße 29 • 24941 Flensburg, Germany • Tel: +49 461 4941 0 • www.secop.com

Secop accepts no responsibility for possible errors in catalogs, brochures, and other printed material. Secop reserves the right to alter its products without notice. This also applies to products already on order provided that such alterations can be made without subsequent changes being necessary to specifications already agreed. All trademarks in this material are the property of the respective companies. Secop and the Secop logotype are trademarks of Secop GmbH. All rights reserved.

Model

Designation	KLF6.6CND	220-240V/50Hz 1~	Sales code:	106H2700
-------------	------------------	------------------	-------------	-----------------

Compressor design

Oil type	Polyolester	Refrigerant(s)	R290
Oil viscosity	10,4cSt	Displacement	6,6cm ³ / 0,4cu.in
Oil quantity	174cm ³ / 5,9fl.oz	Compressors on pallet	100
Refr. charge - tech. limit	200g / 7,1oz		
Free gas volume comp.	1583cm ³ / 53,5fl.oz		
Weight	9,5kg / 20,9lbs		
Motor protection	external		
Winding resistance main	8,4Ω (at 25°C)		
Winding resistance aux	11,9Ω (at 25°C)		
Max. winding temp.	125°C / 257°F		
Max. discharge temp.	130°C / 266°F		



General - Configurations with KLF6.6CND

	Conf. 1	Conf. 2
Motorconfiguration	CSIR	RSCR
Power supply (nominal)	220-240V/50Hz	220-240V/50Hz
Number of phases	1	1
Voltage range	198-254V	198-254V
Approvals	VDE, CCC	VDE, CCC
Starting torque	HST	LST
Note	- / -	

Applications with KLF6.6CND

	Conf. 1	Conf. 2
Refrigerant	R290	R290
Application	LBP+MBP	LBP+MBP
System cooling	fan 3m/s	fan 3m/s
Hot gas defrost	OK	OK
Long interval pull down	OK	OK

Electrical data - Configurations with KLF6.6CND

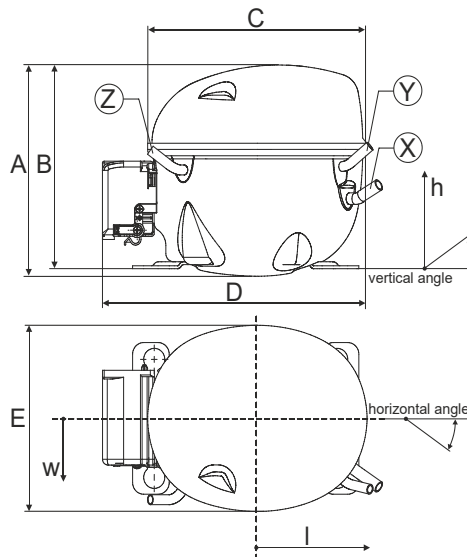
	Conf. 1	Conf. 2
Starting device type	relay	PTC
Run capacitor	- / -	5μF
Start capacitor	80μF	- / -
LRA (locked rotor amps / 4s/ U(N))	13,2A	13,2A
RLA (rated load amps / 1s/ U(N))	2,1A	2,1A
Cut in current (U(N))	12,3A	18,1A

Model

Designation	KLF6.6CND	220-240V/50Hz 1~	Sales code:	106H2700
-------------	------------------	------------------	-------------	-----------------

Compressor dimensions

Housing	A Height	182mm / 7,17in
	B Height	175mm / 6,89in
	C Length shell	198mm / 7,8in
	D Length w. cover	238mm / 9,37in
	E Width	160mm / 6,3in



Connectors		Suction	Discharge	Process
		X	Y	Z
Diameter	[mm]	øi 8,11-8,29	øi 6,11-6,29	øi 6,11-6,29
(i:inside, o:outside)	[in]	øi 0,32-0,33	øi 0,24-0,25	øi 0,24-0,25
Material		copper	copper	copper
Horizontal angle	±2°	35°	13°	0°
Vertical angle	±2°	30°	40°	145°
Position l/h/w	[mm]	119/73/59	117/107/66	-88/101/71
	[in]	4,7/2,9/2,3	4,6/4,2/2,6	-3,5/4/2,8
Straight tube l.	[mm]	14	14	14
	[in]	0,5	0,5	0,5

Compressor fixation



Bolt joint



Snap-on



Mounting accessories	one comp.	multi pack
Bolt joint M6 ø16mm	118-1917	118-1918
Bolt joint ø1/4" ø16mm	118-1946	
Bolt joint ø1/4" ø19mm	118-1949	
Snap-on ø7,3 ø16mm	118-1947	118-1919

Application notes

Provision for PE Grounding is located at the PE Stamp on the compressor

Model

Designation	KLF6.6CND	220-240V/50Hz	Conf. 1	Sales code:	106H2700
-------------	------------------	----------------------	----------------	-------------	-----------------

Configuration

Motorconfiguration	CSIR
Power supply (nominal)	220-240V/50Hz 1~
Refrigerant	R290
Application	LBP+MBP
Voltage range	198-254V
Starting torque	HST
Approvals	VDE CCC

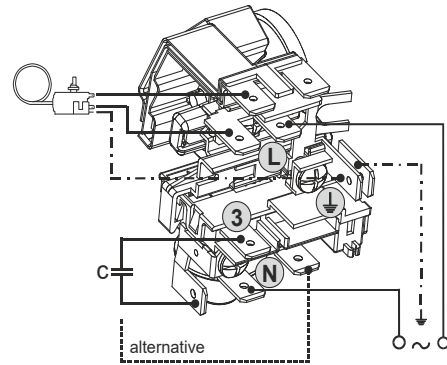
Electrical accessories / wiring diagram

CSIR

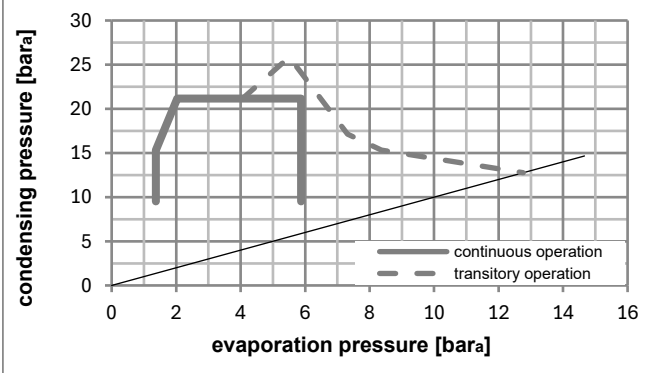
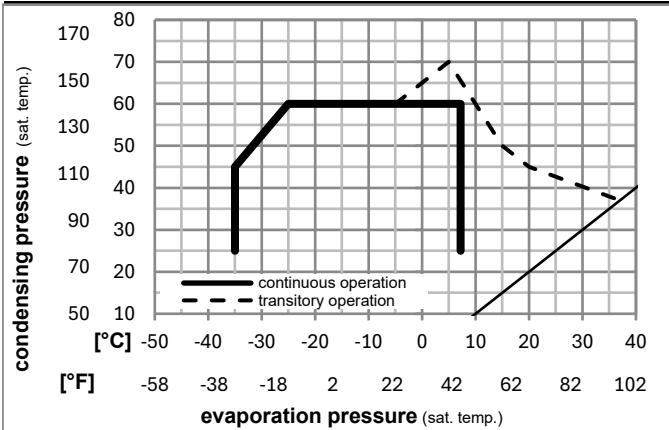


Ambient/ machine room temperatures minimum /maximum

Ambient temperature range:	10 - 43°C / 50 - 110°F
Machine room temperature range:	10 - 48°C / 50 - 119°F
Compressor cooling:	fan 3m/s



Operation pressure range



Components

a5	current relay (T0377/L6-S1)	117U7071
c	start capacitor (80μF, 6.3mm)	117U5001
b, d	cover + clamp + screws(5VA) in bag	103N1060

Alternative components

b, d	100x cover + clamp + screws(5VA)	103N2060
b, d	cover + clamp + screws(5VA-compl.)	103N0600

Model

Designation **KLF6.6CND** **220-240V/50Hz** Conf. 1 Sales code: **106H2700**

Optimization + standard conditions

R290, 220V/50Hz, CSIR, fan 3m/s, VDE, CCC

	Evaporating pressure (saturation temperature)				Cooling capacity			COP	EER	P1	Power consumption		ASHRAE LBP	
	pe	pc	RGT	Tliq	[W]	[Btu/h]	[kcal/h]				I	m		
	[°C]	[°F]	[°C]	[°F]	[W]	[Btu/h]	[kcal/h]	[W/W]	[Btu/Wh]	[kcal/Wh]	[W]	[A]	[kg/h]	
	-23	54	32	32	336,8	1150	289,9	1,51	5,15	1,30	223,4	1,59	3,41	ASHRAE LBP
	-10	130	90	90										
	-25	55	32	55	251,5	859	216,5	1,17	3,98	1,00	215,7	1,57	3,13	cecomaf LBP
	-13	131	90	131										
	-35	40	20	40	188,2	643	161,9	1,20	4,11	1,04	156,3	1,42	2,15	EN12900 LBP
	-31	104	68	104										
	-7	54	35	46	595,8	2035	512,8	2,01	6,88	1,73	296,0	1,82	6,80	ASHRAE MBP
	20	130	95	115										
	-10	55	32	55	475,1	1622	408,9	1,67	5,70	1,44	284,6	1,78	6,01	cecomaf MBP
	14	131	90	131										
	-10	45	20	45	525,2	1794	452,0	2,04	6,98	1,76	257,0	1,69	6,45	EN12900 MBP
	14	113	68	113										

Performance tables

R290, 220V/50Hz, CSIR, fan 3m/s, VDE, CCC

	pe		Cooling capacity			COP	EER	P1	I	m	
	[°C]	[°F]	[W]	[Btu/h]	[kcal/h]						
[°C / °F]	-35	-31	178,1	608	153,2	1,12	3,82	0,96	159,2	1,43	2,00
cond. pressure	-25	-13	294,9	1007	253,8	1,46	4,97	1,25	202,7	1,53	3,33
pc= 45/113	-15	5	450,6	1539	387,8	1,87	6,40	1,61	240,5	1,64	5,13
return gas temp.	-10	14	546,8	1867	470,6	2,13	7,27	1,83	257,0	1,69	6,26
RGT= 32/90	-5	23	657,2	2245	565,6	2,42	8,26	2,08	271,8	1,74	7,57
liquid temp	0	32	783,4	2675	674,2	2,75	9,40	2,37	284,7	1,78	9,09
Tliq= 45/113	7,2	45	995,8	3401	857,0	3,32	11,34	2,86	299,9	1,84	11,70
[°C / °F]	-35	-31	139,7	477	120,3	0,87	2,96	0,74	161,5	1,44	1,73
cond. pressure	-25	-13	251,5	859	216,5	1,17	3,98	1,00	215,7	1,57	3,13
pc= 55/131	-15	5	391,1	1336	336,6	1,48	5,07	1,28	263,4	1,71	4,92
return gas temp	-10	14	475,1	1622	408,9	1,67	5,70	1,44	284,6	1,78	6,01
RGT= 32/90	-5	23	570,5	1948	491,0	1,88	6,41	1,62	303,8	1,85	7,27
liquid temp	0	32	679,0	2319	584,3	2,12	7,23	1,82	320,9	1,91	8,72
Tliq= 55/131	7,2	45	861,0	2940	741,0	2,52	8,60	2,17	341,8	1,99	11,22

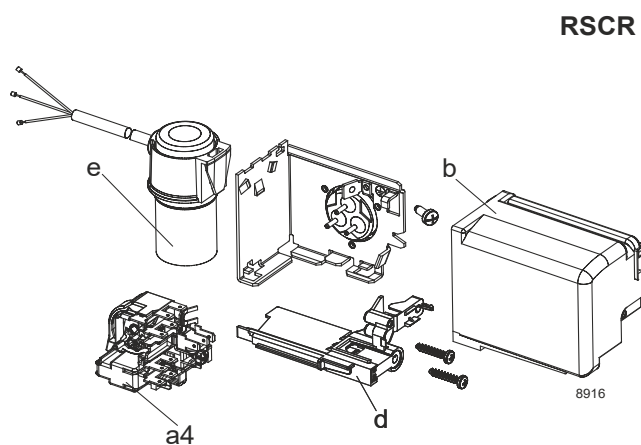
Model

Designation	KLF6.6CND	220-240V/50Hz	Conf. 2	Sales code:	106H2700
-------------	------------------	----------------------	----------------	-------------	-----------------

Configuration

Motorconfiguration	RSCR
Power supply (nominal)	220-240V/50Hz 1~
Refrigerant	R290
Application	LBP+MBP
Voltage range	198-254V
Starting torque	LST
Approvals	VDE CCC

Electrical accessories / wiring diagram

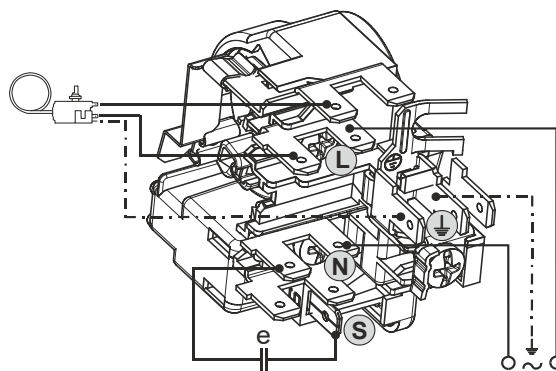


Ambient/ machine room temperatures minimum /maximum

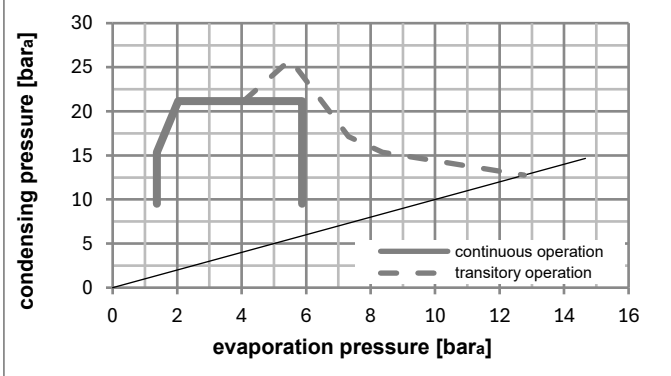
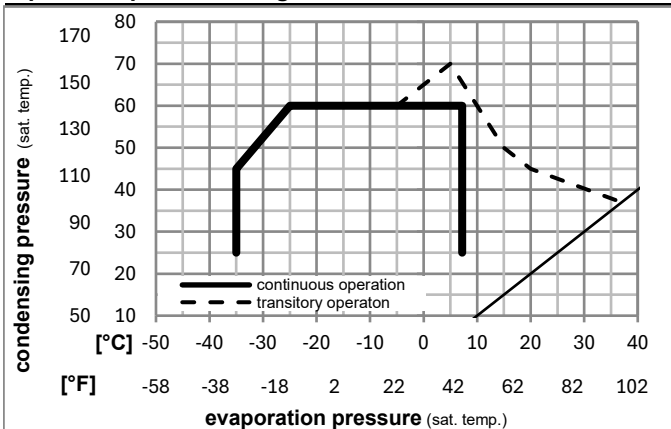
Ambient temperature range: 10 - 43°C / 50 - 110°F

Machine room temperature range: 10 - 48°C / 50 - 119°F

Compressor cooling: fan 3m/s



Operation pressure range



Components

a4	DAS1 (PTC,6.3mm, T0377/L6 - S1)	103N0250
e	run capacitor (5μF, 6.3mm)	117-7191
b, d	cover + clamp + screws(5VA) in bag	103N1060

Alternative components

a4	ZAS1 (PTC,4.8mm, T0377/L6 - S1)	103N0252
e	run capacitor (5μF, 4.8mm)	117-7190

b, d	100x cover + clamp + screws(5VA)	103N2060
b, d	cover + clamp + screws(5VA-compl.)	103N0600

Model

Designation **KLF6.6CND** **220-240V/50Hz** Conf. 2 Sales code: **106H2700**

Optimization + standard conditions

R290, 220V/50Hz, RSCR, fan 3m/s, VDE, CCC

	Evaporating pressure (saturation temperature)				Cooling capacity			COP	EER			Power consumption			ASHRAE LBP
	pe	pc	RGT	Tliq	[W]	[Btu/h]	[kcal/h]		[W/W]	[Btu/Wh]	[kcal/Wh]	P1	I	m	
[°C]	-23	54	32	32	337,5	1153	290,5	1,58	5,40	1,36	213,6	1,25	3,42		
[°F]	-10	130	90	90											
[°C]	-25	55	32	55	252,1	861	216,9	1,22	4,17	1,05	206,3	1,23	3,14	cecomaf LBP	
[°F]	-13	131	90	131											
[°C]	-35	40	20	40	188,4	643	162,1	1,25	4,28	1,08	150,3	1,05	2,15	EN12900 LBP	
[°F]	-31	104	68	104											
[°C]	-7	54	35	46	597,8	2041	514,4	2,12	7,24	1,83	281,8	1,51	6,82	ASHRAE MBP	
[°F]	20	130	95	115											
[°C]	-10	55	32	55	476,5	1627	410,1	1,76	6,00	1,51	271,1	1,47	6,03	cecomaf MBP	
[°F]	14	131	90	131											
[°C]	-10	45	20	45	526,6	1799	453,2	2,15	7,34	1,85	245,2	1,37	6,47	EN12900 MBP	
[°F]	14	113	68	113											

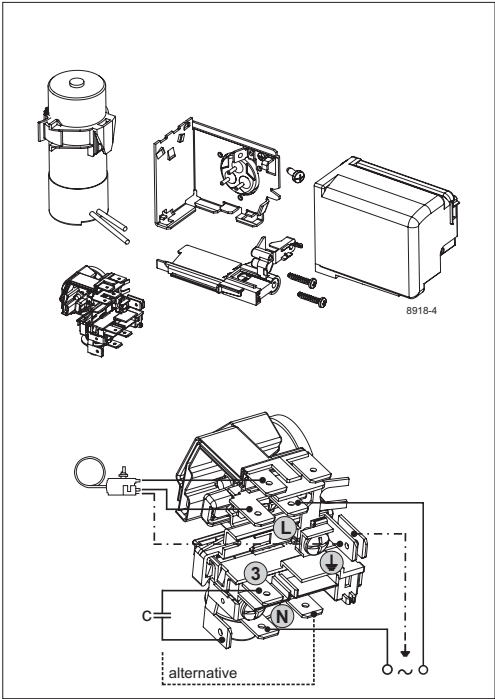
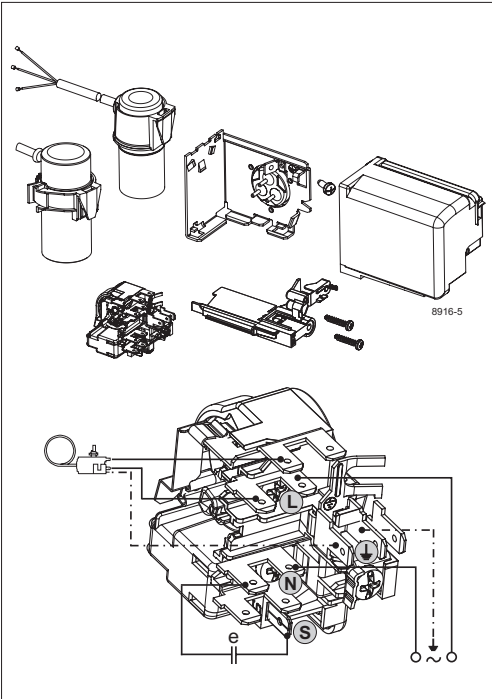
Performance tables

R290, 220V/50Hz, RSCR, fan 3m/s, VDE, CCC

	pe		Cooling capacity			COP	EER		P1	I	m
	[°C]	[°F]	[W]	[Btu/h]	[kcal/h]		[W/W]	[Btu/Wh]			
[°C / °F]	-35	-31	178,3	609	153,4	1,17	3,98	1,00	152,9	1,06	2,00
cond. pressure	-25	-13	295,5	1009	254,3	1,52	5,20	1,31	194,1	1,18	3,33
pc= 45/113	-15	5	451,7	1543	388,7	1,97	6,72	1,69	229,7	1,31	5,14
return gas temp.	-10	14	548,3	1872	471,8	2,24	7,64	1,92	245,2	1,37	6,27
RGT= 32/90	-5	23	659,1	2251	567,2	2,54	8,69	2,19	259,1	1,42	7,59
liquid temp	0	32	785,8	2684	676,3	2,90	9,89	2,49	271,3	1,47	9,11
Tliq= 45/113	7,2	45	999,1	3412	859,8	3,50	11,94	3,01	285,7	1,53	11,74
[°C / °F]	-35	-31	139,9	478	120,4	0,90	3,08	0,78	155,0	1,07	1,73
cond. pressure	-25	-13	252,1	861	216,9	1,22	4,17	1,05	206,3	1,23	3,14
pc= 55/131	-15	5	392,2	1339	337,5	1,56	5,33	1,34	251,2	1,39	4,93
return gas temp	-10	14	476,5	1627	410,1	1,76	6,00	1,51	271,1	1,47	6,03
RGT= 32/90	-5	23	572,4	1955	492,6	1,98	6,76	1,70	289,2	1,54	7,29
liquid temp	0	32	681,4	2327	586,4	2,23	7,62	1,92	305,3	1,61	8,75
Tliq= 55/131	7,2	45	864,3	2952	743,8	2,66	9,08	2,29	325,1	1,69	11,26



KL Compressors





KL Compressors



Service/Repair – R290



8545



Secop accepts no responsibility for possible errors in catalogs, brochures, and other printed material. Secop reserves the right to alter its products without notice. This also applies to products already on order provided that such alterations can be made without subsequent changes being necessary to specifications already agreed. All trademarks in this material are the property of the respective companies. Secop and the Secop logotype are trademarks of Secop GmbH. All rights reserved. www.secop.com