

## Single Pack HXK80AT 200-240V 50Hz / 208-230V 60Hz RSIR

Single pack code number: **195B4617**

| Position | Title                 | Code     | Amount |
|----------|-----------------------|----------|--------|
| 1        | Compressor HXK80AT    | 16408600 | 1      |
| 2        | Clip                  | 10633900 | 4      |
| 3        | Steel pin             | 10634100 | 4      |
| 4        | Washer                | 10634300 | 4      |
| 5        | Screw for cable clamp | 10636000 | 1      |
| 6        | Screw for cable clamp | 10636200 | 1      |
| 7        | Cover                 | 10636401 | 1      |
| 8        | Earth screw           | 10641201 | 1      |
| 9        | Rubber grommet 16mm   | 11322600 | 4      |
| 10       | Cable clamp           | 11341000 | 1      |
| 11       | Terminal board 6.3mm  | 16403700 | 1      |

Secop GmbH • Lise-Meitner-Straße 29 • 24941 Flensburg, Germany • Tel: +49 461 4941 0 • [www.secop.com](http://www.secop.com)

Secop accepts no responsibility for possible errors in catalogs, brochures, and other printed material. Secop reserves the right to alter its products without notice. This also applies to products already on order provided that such alterations can be made without subsequent changes being necessary to specifications already agreed. All trademarks in this material are the property of the respective companies. Secop and the Secop logotype are trademarks of Secop GmbH. All rights reserved.

## Model

|             |                |                                   |             |                 |
|-------------|----------------|-----------------------------------|-------------|-----------------|
| Designation | <b>HXK80AT</b> | 200-240V/50Hz 1~ 208-230V/60Hz 1~ | Sales code: | <b>16408600</b> |
|-------------|----------------|-----------------------------------|-------------|-----------------|

## Compressor design

|                            |                                 |                       |                                |
|----------------------------|---------------------------------|-----------------------|--------------------------------|
| Oil type                   | Mineral                         | Refrigerant(s)        | <b>R600a</b>                   |
| Oil viscosity              | 5cST                            | Displacement          | 8,1cm <sup>3</sup> / 0,49cu.in |
| Oil quantity               | 162cm <sup>3</sup> / 5,5fl.oz   | Compressors on pallet | 100                            |
| Refr. charge - tech. limit | 150g / 5,3oz                    |                       |                                |
| Free gas volume comp.      | 1620cm <sup>3</sup> / 54,8fl.oz |                       |                                |
| Weight                     | 8,1kg / 17,9lbs                 |                       |                                |
| Motor protection           | external                        |                       |                                |
| Winding resistance main    | 24,3Ω (at 25°C)                 |                       |                                |
| Winding resistance aux     | 13,8Ω (at 25°C)                 |                       |                                |
| Max. winding temp.         | 130°C / 266°F                   |                       |                                |
| Max. discharge temp.       | 130°C / 266°F                   |                       |                                |



## General - Configurations with HXK80AT

|                        | Conf. 1  | Conf. 2       | Conf. 3       | Conf. 4       |
|------------------------|--|---------------|---------------|---------------|
| Motorconfiguration     | RSCR   | RSIR          | RSCR          | RSCR          |
| Power supply (nominal) | 200-240V/50Hz  | 200-240V/50Hz | 220-240V/50Hz | 208-230V/60Hz |
| Number of phases       | 1  | 1             | 1             | 1             |
| Voltage range          | 170-264V   | 170-264V      | 170-264V      | 198-253V      |
| Approvals              | VDE  | VDE           | VDE           | VDE           |
| Starting torque        | LST  | LST           | LST           | LST           |
| Note                   | Various options of connectors are possible - please contact SECOP-Sales. |               |               |               |

## Applications with HXK80AT

|                         | Conf. 1 | Conf. 2 | Conf. 3 | Conf. 4 |
|-------------------------|---------|---------|---------|---------|
| Refrigerant             | R600a   | R600a   | R600a   | R600a   |
| Application             | LBP     | LBP     | LBP     | LBP     |
| System cooling          | static  | static  | static  | static  |
| Hot gas defrost         | -/-     | -/-     | -/-     | -/-     |
| Long interval pull down | -/-     | -/-     | -/-     | -/-     |

## Electrical data - Configurations with HXK80AT

|                                    | Conf. 1 | Conf. 2 | Conf. 3 | Conf. 4 |
|------------------------------------|---------|---------|---------|---------|
| Starting device type               | PTC     | PTC     | PTC     | PTC     |
| Run capacitor                      | 4μF     | -/-     | 4μF     | 4μF     |
| Start capacitor                    | -/-     | -/-     | -/-     | -/-     |
| LRA (locked rotor amps / 4s/ U(N)) |         |         |         |         |
| RLA (rated load amps / 1s/ U(N))   | -/-A    | -/-A    |         | -/-A    |
| Cut in current (U(N))              |         |         |         |         |

## Model

Designation

**HXK80AT**

200-240V/50Hz 1~ 208-230V/60Hz 1~

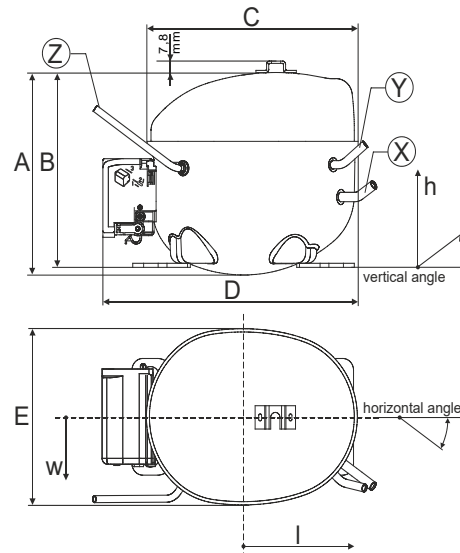
Sales code:

**16408600**

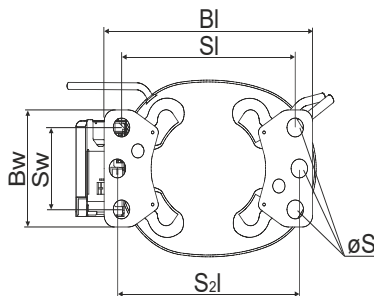
## Compressor dimensions

| Housing | A Height          | 174mm / 6,85in |
|---------|-------------------|----------------|
|         | B Height          | 167mm / 6,57in |
|         | C Length shell    | 194mm / 7,64in |
|         | D Length w. cover | 238mm / 9,37in |
|         | E Width           | 151mm / 5,94in |

| Connectors       |                            | Suction      | Discharge   | Process      |
|------------------|----------------------------|--------------|-------------|--------------|
|                  |                            | X            | Y           | Z            |
| Diameter         | [mm]                       | øi 6,1-6,2   | øi 5,1-5,2  | øo 5,92-6,08 |
|                  | (i:inside, o:outside) [in] | øi 0,24-0,24 | øi 0,2-0,2  | øo 0,23-0,24 |
| Material         |                            | copper       | copper      | copper       |
| Horizontal angle | ±2°                        | 45°          | 13°         | 0°           |
| Vertical angle   | ±2°                        | 30°          | 40°         | 145°         |
| Position l/h/w   | [mm]                       | 120/72/62    | 112/106/62  | -140/136/70  |
|                  | [in]                       | 4,7/2,8/2,4  | 4,4/4,2/2,4 | -5,5/5,4/2,8 |
| Straight tube l. | [mm]                       | 14           | 14          | 75           |
|                  | [in]                       | 0,5          | 0,5         | 3            |

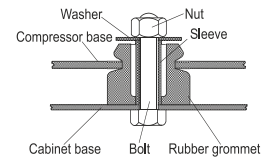


## Compressor fixation

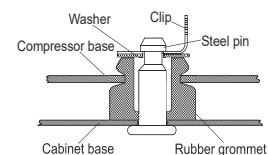


| Baseplate   | [mm] | [inch] |
|-------------|------|--------|
| BI          | 204  | 8.03   |
| BW          | 100  | 3.94   |
| Small holes |      |        |
|             | [mm] | [inch] |
| SI          | 170  | 6.7    |
| SW          | 70   | 2.76   |
| S2l         | 178  | 7      |
| øS          | ø 16 | ø 0.63 |

### Bolt joint



### Snap-on



## Mounting accessories

|   | order code          |
|---|---------------------|
| '4ZN' with rubber grommet                   | 772N                |
| '4ZN' with rubber grommet and sleeve for M6 | 768N                |
| Bolt joint kit                              | 4ZN + 118-1917 (18) |
| '4ZN' with Snap on kit                      | 776N                |

## Application notes

- Provision for PE Grounding is located at the PE Stamp on the compressor Housing with dip-tray fixture (omega bracket).
- Various options of connectors are possible - please contact SECOP-Sales.

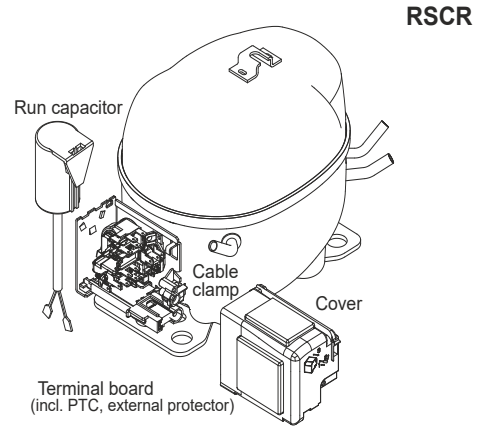
## Model

|             |                |                      |         |             |                 |
|-------------|----------------|----------------------|---------|-------------|-----------------|
| Designation | <b>HXK80AT</b> | <b>200-240V/50Hz</b> | Conf. 1 | Sales code: | <b>16408600</b> |
|-------------|----------------|----------------------|---------|-------------|-----------------|

## Configuration

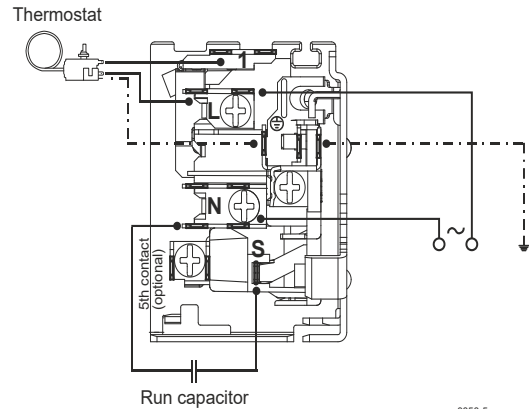
|                        |                  |
|------------------------|------------------|
| Motorconfiguration     | RSCR             |
| Power supply (nominal) | 200-240V/50Hz 1~ |
| Refrigerant            | R600a            |
| Application            | LBP              |
| Voltage range          | 170-264V         |
| Starting torque        | LST              |
| Approvals              | VDE              |

## Electrical accessories / wiring diagram

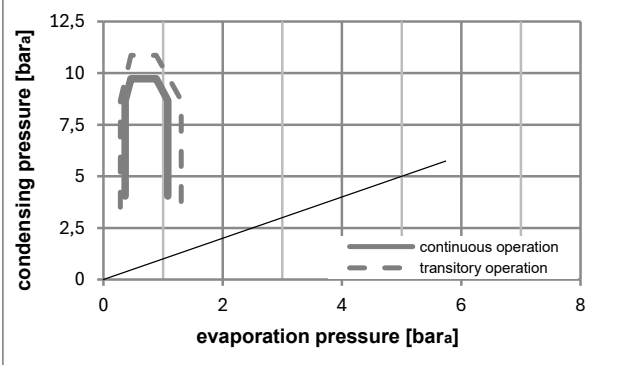
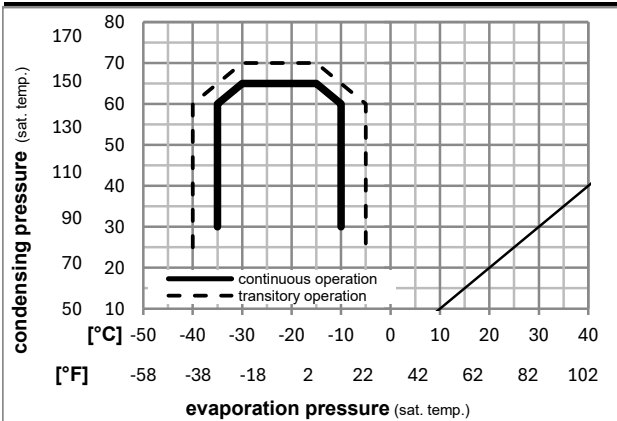


## Ambient/ machine room temperatures minimum /maximum

|                                 |                        |
|---------------------------------|------------------------|
| Ambient temperature range:      | 10 - 43°C / 50 - 110°F |
| Machine room temperature range: | 10 - 48°C / 50 - 119°F |
| Compressor cooling:             | static                 |



## Operation pressure range



## Components

|                               |          |
|-------------------------------|----------|
| . terminal board (PTC, 6.3mm) | 16403700 |
| . run capacitor (4μF, 6.3mm)  | 15186801 |
| b cover terminal board        | 10636401 |
| . cable clamp                 | 11341000 |
| . screw - uni6954             | 10636000 |
| . screw - uni6954             | 10636200 |

## Alternative components

|                         |          |
|-------------------------|----------|
| . screw uni en iso 4757 | 10641201 |
|-------------------------|----------|

### Model

|             |                |                      |         |             |                 |
|-------------|----------------|----------------------|---------|-------------|-----------------|
| Designation | <b>HXK80AT</b> | <b>200-240V/50Hz</b> | Conf. 1 | Sales code: | <b>16408600</b> |
|-------------|----------------|----------------------|---------|-------------|-----------------|

### Optimization + standard conditions

R600a, 200V/50Hz, RSCR, static, VDE

|      |      | Evaporating pressure (saturation temperature) |      |       |      | Condensing pressure (saturation temperature) |         |          | Return gas temp. |          | Liquid temp. |      | Cooling capacity |        |  | COP | EER | Power consumption |   | Current consumption |  | Ref. mass flow |  |
|------|------|---|------|-------|------|--|---------|----------|------------------|----------|--------------|------|------------------|--------|--|-----|-----|-------------------|---|---------------------|--|----------------|--|
|      |      | pe  | pc   | RGT   | Tliq | [W]  | [Btu/h] | [kcal/h] | [W/W]            | [Btu/Wh] | [kcal/Wh]    | [W]  | [A]              | [kg/h] |  |     | P1  | I                 | m |                     |  |                |  |
| [°C] | [°F] | [°C]  | [°F] | [°C]  | [°C] |  |         |          |                  |          |              |      |                  |        |  |     |     |                   |   |                     |  |                |  |
| -23  | 54   | 32  | 32   | 139,8 | 477  | 120,3  | 1,75    | 5,97     | 1,51             | 79,9     | 0,38         | 1,50 |                  |        |  |     |     |                   |   |                     |  | ASHRAE LBP     |  |
| -10  | 130  | 90  | 90   |       |      |  |         |          |                  |          |              |      |                  |        |  |     |     |                   |   |                     |  |                |  |
| -25  | 55   | 32  | 55   | 104,9 | 358  | 90,3   | 1,37    | 4,66     | 1,17             | 76,8     | 0,37         | 1,37 |                  |        |  |     |     |                   |   |                     |  | cecomaf LBP    |  |
| -13  | 131  | 90  | 131  |       |      |  |         |          |                  |          |              |      |                  |        |  |     |     |                   |   |                     |  |                |  |
| -35  | 40   | 20  | 40   | 79,8  | 273  | 68,7   | 1,42    | 4,84     | 1,22             | 56,3     | 0,29         | 0,97 |                  |        |  |     |     |                   |   |                     |  | EN12900 LBP    |  |
| -31  | 104  | 68  | 104  |       |      |  |         |          |                  |          |              |      |                  |        |  |     |     |                   |   |                     |  |                |  |
| -23  | 49   | 4,4   | 49   | 113,7 | 388  | 97,9   | 1,46    | 4,99     | 1,26             | 77,9     | 0,37         | 1,66 |                  |        |  |     |     |                   |   |                     |  | ARI540 LBP     |  |
| -10  | 120  | 40  | 120  |       |      |  |         |          |                  |          |              |      |                  |        |  |     |     |                   |   |                     |  |                |  |
| -23  | 41   | 32  | 32   | 148,8 | 508  | 128,1  | 2,00    | 6,83     | 1,72             | 74,4     | 0,36         | 1,60 |                  |        |  |     |     |                   |   |                     |  | AHAM LBP       |  |
| -10  | 105  | 90  | 90   |       |      |  |         |          |                  |          |              |      |                  |        |  |     |     |                   |   |                     |  |                |  |
| -35  | 45   | 32  | 45   | 77,1  | 263  | 66,3   | 1,35    | 4,60     | 1,16             | 57,1     | 0,29         | 0,92 |                  |        |  |     |     |                   |   |                     |  | opt            |  |
| -31  | 113  | 90  | 113  |       |      |  |         |          |                  |          |              |      |                  |        |  |     |     |                   |   |                     |  |                |  |

### Performance tables

R600a, 200V/50Hz, RSCR, static, VDE

|                  | pe   |      | Cooling capacity |         |          | COP   | EER      | P1        | I     | m    |        |
|------------------|------|------|------------------|---------|----------|-------|----------|-----------|-------|------|--------|
|                  | [°C] | [°F] | [W]              | [Btu/h] | [kcal/h] | [W/W] | [Btu/Wh] | [kcal/Wh] | [W]   | [A]  | [kg/h] |
| [°C / °F]        | -35  | -31  | 77,1             | 263     | 66,3     | 1,35  | 4,60     | 1,16      | 57,1  | 0,29 | 0,92   |
| cond. pressure   | -30  | -22  | 96,2             | 329     | 82,8     | 1,46  | 5,00     | 1,26      | 65,8  | 0,32 | 1,14   |
| pc= 45/113       | -25  | -13  | 121,8            | 416     | 104,8    | 1,65  | 5,65     | 1,42      | 73,7  | 0,35 | 1,45   |
| return gas temp. | -23  | -10  | 132,1            | 451     | 113,6    | 1,73  | 5,91     | 1,49      | 76,3  | 0,37 | 1,57   |
| RGT= 32/90       | -20  | -4   | 154,3            | 527     | 132,8    | 1,90  | 6,48     | 1,63      | 81,4  | 0,39 | 1,84   |
| liquid temp      | -15  | 5    | 194,3            | 664     | 167,3    | 2,17  | 7,42     | 1,87      | 89,5  | 0,44 | 2,32   |
| Tliq= 45/113     | -10  | 14   | 242,4            | 828     | 208,6    | 2,46  | 8,40     | 2,12      | 98,5  | 0,48 | 2,90   |
| [°C / °F]        | -35  | -31  | 56,5             | 193     | 48,6     | 1,01  | 3,46     | 0,87      | 55,8  | 0,27 | 0,73   |
| cond. pressure   | -30  | -22  | 78,8             | 269     | 67,8     | 1,18  | 4,03     | 1,02      | 66,8  | 0,32 | 1,03   |
| pc= 55/131       | -25  | -13  | 104,9            | 358     | 90,3     | 1,37  | 4,66     | 1,17      | 76,8  | 0,37 | 1,37   |
| return gas temp  | -23  | -10  | 114,7            | 392     | 98,7     | 1,43  | 4,89     | 1,23      | 80,2  | 0,39 | 1,50   |
| RGT= 32/90       | -20  | -4   | 135,3            | 462     | 116,5    | 1,56  | 5,34     | 1,35      | 86,6  | 0,42 | 1,77   |
| liquid temp      | -15  | 5    | 170,7            | 583     | 146,9    | 1,77  | 6,04     | 1,52      | 96,5  | 0,47 | 2,23   |
| Tliq= 55/131     | -10  | 14   | 211,4            | 722     | 182,0    | 1,97  | 6,73     | 1,70      | 107,2 | 0,52 | 2,78   |

## Model

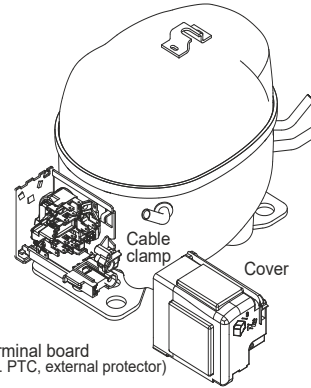
|             |                |                      |                |             |                 |
|-------------|----------------|----------------------|----------------|-------------|-----------------|
| Designation | <b>HXK80AT</b> | <b>200-240V/50Hz</b> | <b>Conf. 2</b> | Sales code: | <b>16408600</b> |
|-------------|----------------|----------------------|----------------|-------------|-----------------|

## Configuration

|                        |                  |
|------------------------|------------------|
| Motorconfiguration     | RSIR             |
| Power supply (nominal) | 200-240V/50Hz 1~ |
| Refrigerant            | R600a            |
| Application            | LBP              |
| Voltage range          | 170-264V         |
| Starting torque        | LST              |
| Approvals              | VDE              |

## Electrical accessories / wiring diagram

RSIR

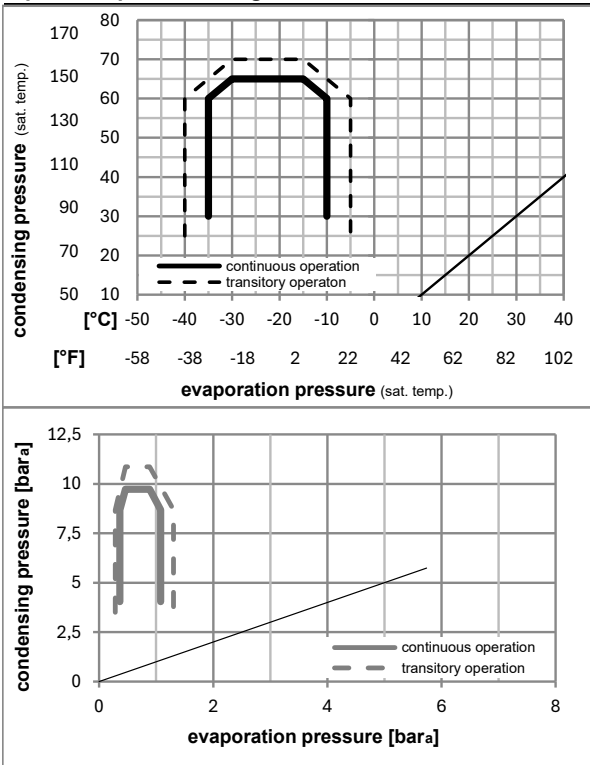


## Ambient/ machine room temperatures minimum /maximum

|                                 |                        |
|---------------------------------|------------------------|
| Ambient temperature range:      | 10 - 43°C / 50 - 110°F |
| Machine room temperature range: | 10 - 48°C / 50 - 119°F |
| Compressor cooling:             | static                 |



## Operation pressure range



## Components

|                               |          |
|-------------------------------|----------|
| . terminal board (PTC, 6.3mm) | 16403700 |
| b cover terminal board        | 10636401 |
| . cable clamp                 | 11341000 |
| . screw - uni6954             | 10636000 |
| . screw - uni6954             | 10636200 |
| . screw uni en iso 4757       | 10641201 |

8858-6

## Model

|             |                |                      |                |             |                 |
|-------------|----------------|----------------------|----------------|-------------|-----------------|
| Designation | <b>HXK80AT</b> | <b>200-240V/50Hz</b> | <b>Conf. 2</b> | Sales code: | <b>16408600</b> |
|-------------|----------------|----------------------|----------------|-------------|-----------------|

## Optimization + standard conditions

R600a, 200V/50Hz, RSIR, static, VDE

|      |      | Evaporating pressure (saturation temperature) |      |              |      | Condensing pressure (saturation temperature) |         |          |       |          |           | Power consumption |                |        |             |
|------|------|---|------|--------------|------|--|---------|----------|-------|----------|-----------|-------------------|----------------|--------|-------------|
|      |      | Return gas temp.                              |      | Liquid temp. |      | Cooling capacity                             |         | COP      | EER   |          | P1        | I                 | Ref. mass flow |        |             |
|      |      | pe  | pc   | RGT          | Tliq | [W]  | [Btu/h] | [kcal/h] | [W/W] | [Btu/Wh] | [kcal/Wh] | [W]               | [A]            | [kg/h] |             |
| [°C] | [°F] | [°C]  | [°F] | [°C]         | [°C] |  |         |          |       |          |           |                   |                |        |             |
| -23  | -10  | 54  | 130  | 32           | 32   | 139,8  | 477     | 120,3    | 1,67  | 5,70     | 1,44      | 83,8              | 0,40           | 1,50   | ASHRAE LBP  |
| -25  | -13  | 55  | 131  | 32           | 55   | 104,9  | 358     | 90,3     | 1,31  | 4,47     | 1,13      | 80,2              | 0,38           | 1,37   | cecomaf LBP |
| -35  | -31  | 40  | 104  | 20           | 40   | 79,8   | 273     | 68,7     | 1,39  | 4,75     | 1,20      | 57,4              | 0,29           | 0,97   | EN12900 LBP |
| -23  | -10  | 49  | 120  | 4,4          | 49   | 113,7  | 388     | 97,9     | 1,40  | 4,77     | 1,20      | 81,4              | 0,39           | 1,66   | ARI540 LBP  |
| -23  | -10  | 41  | 105  | 32           | 32   | 148,8  | 508     | 128,1    | 1,93  | 6,58     | 1,66      | 77,3              | 0,37           | 1,60   | AHAM LBP    |
| -35  | -31  | 45  | 113  | 32           | 45   | 77,1   | 263     | 66,3     | 1,32  | 4,50     | 1,13      | 58,5              | 0,29           | 0,92   | opt         |

## Performance tables

R600a, 200V/50Hz, RSIR, static, VDE

|                  | pe   |      | Cooling capacity |         |          | COP   | EER      |           | P1    | I    | m      |
|------------------|------|------|------------------|---------|----------|-------|----------|-----------|-------|------|--------|
|                  | [°C] | [°F] | [W]              | [Btu/h] | [kcal/h] | [W/W] | [Btu/Wh] | [kcal/Wh] | [W]   | [A]  | [kg/h] |
| [°C / °F]        | -35  | -31  | 77,1             | 263     | 66,3     | 1,32  | 4,50     | 1,13      | 58,5  | 0,29 | 0,92   |
| cond. pressure   | -30  | -22  | 96,2             | 329     | 82,8     | 1,42  | 4,85     | 1,22      | 67,8  | 0,33 | 1,14   |
| pc= 45/113       | -25  | -13  | 121,8            | 416     | 104,8    | 1,59  | 5,44     | 1,37      | 76,5  | 0,37 | 1,45   |
| return gas temp. | -23  | -10  | 132,1            | 451     | 113,6    | 1,66  | 5,67     | 1,43      | 79,5  | 0,38 | 1,57   |
| RGT= 32/90       | -20  | -4   | 154,3            | 527     | 132,8    | 1,81  | 6,17     | 1,55      | 85,4  | 0,41 | 1,84   |
| liquid temp      | -15  | 5    | 194,3            | 664     | 167,3    | 2,04  | 6,98     | 1,76      | 95,1  | 0,46 | 2,32   |
| Tliq= 45/113     | -10  | 14   | 242,4            | 828     | 208,6    | 2,28  | 7,79     | 1,96      | 106,3 | 0,51 | 2,90   |
| [°C / °F]        | -35  | -31  | 56,5             | 193     | 48,6     | 0,99  | 3,39     | 0,85      | 56,9  | 0,27 | 0,73   |
| cond. pressure   | -30  | -22  | 78,8             | 269     | 67,8     | 1,14  | 3,91     | 0,98      | 68,9  | 0,33 | 1,03   |
| pc= 55/131       | -25  | -13  | 104,9            | 358     | 90,3     | 1,31  | 4,47     | 1,13      | 80,2  | 0,38 | 1,37   |
| return gas temp  | -23  | -10  | 114,7            | 392     | 98,7     | 1,37  | 4,66     | 1,17      | 84,0  | 0,40 | 1,50   |
| RGT= 32/90       | -20  | -4   | 135,3            | 462     | 116,5    | 1,48  | 5,04     | 1,27      | 91,6  | 0,44 | 1,77   |
| liquid temp      | -15  | 5    | 170,7            | 583     | 146,9    | 1,64  | 5,62     | 1,42      | 103,8 | 0,50 | 2,23   |
| Tliq= 55/131     | -10  | 14   | 211,4            | 722     | 182,0    | 1,80  | 6,16     | 1,55      | 117,3 | 0,56 | 2,78   |

## Model

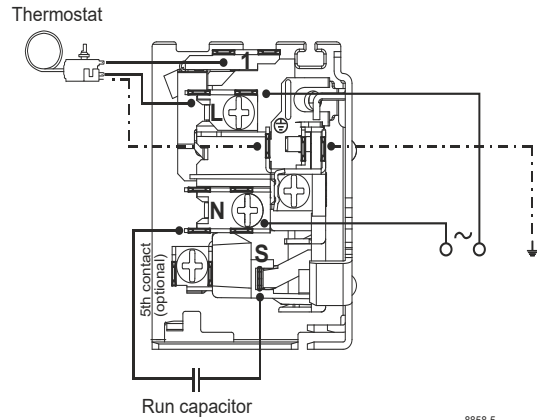
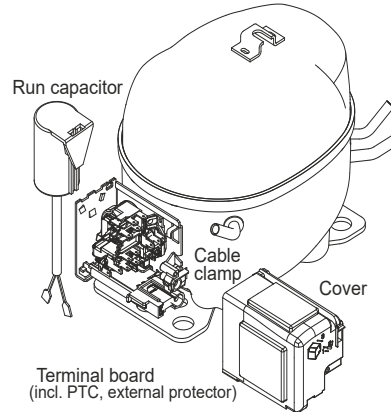
|             |                |                      |                |             |                 |
|-------------|----------------|----------------------|----------------|-------------|-----------------|
| Designation | <b>HXK80AT</b> | <b>220-240V/50Hz</b> | <b>Conf. 3</b> | Sales code: | <b>16408600</b> |
|-------------|----------------|----------------------|----------------|-------------|-----------------|

## Configuration

|                        |                  |
|------------------------|------------------|
| Motorconfiguration     | RSCR             |
| Power supply (nominal) | 220-240V/50Hz 1~ |
| Refrigerant            | R600a            |
| Application            | LBP              |
| Voltage range          | 170-264V         |
| Starting torque        | LST              |
| Approvals              | VDE              |

## Electrical accessories / wiring diagram

RSCR

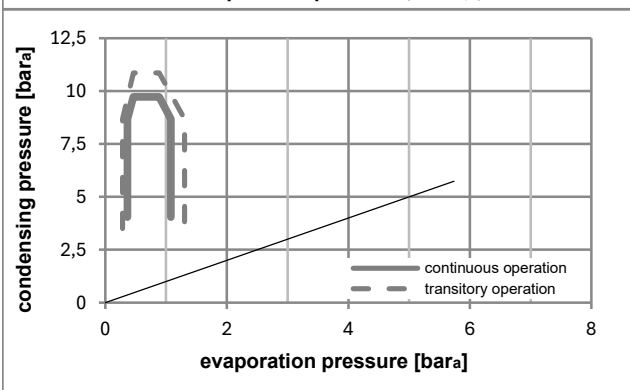
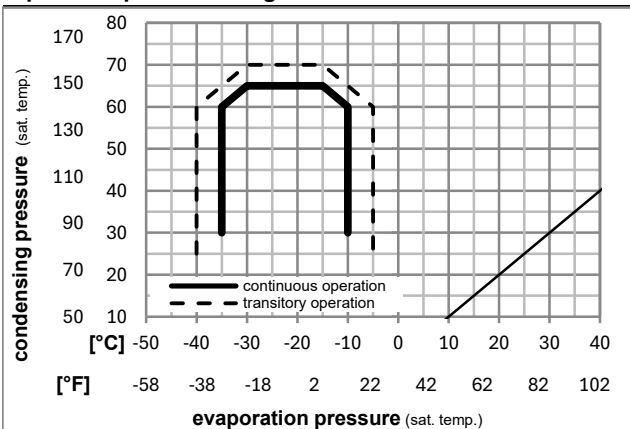


8858-5

## Ambient/ machine room temperatures minimum /maximum

|                                 |                        |
|---------------------------------|------------------------|
| Ambient temperature range:      | 10 - 43°C / 50 - 110°F |
| Machine room temperature range: | 10 - 48°C / 50 - 119°F |
| Compressor cooling:             | static                 |

## Operation pressure range



## Components

|                               |          |
|-------------------------------|----------|
| . terminal board (PTC, 6.3mm) | 16403700 |
| . run capacitor (4μF, 6.3mm)  | 15186801 |
| b cover terminal board        | 10636401 |
| . cable clamp                 | 11341000 |
| . screw - uni6954             | 10636000 |
| . screw - uni6954             | 10636200 |

## Alternative components

|                         |          |
|-------------------------|----------|
| . screw uni en iso 4757 | 10641201 |
|-------------------------|----------|



### Model

|             |                |                      |                |             |                 |
|-------------|----------------|----------------------|----------------|-------------|-----------------|
| Designation | <b>HXK80AT</b> | <b>220-240V/50Hz</b> | <b>Conf. 3</b> | Sales code: | <b>16408600</b> |
|-------------|----------------|----------------------|----------------|-------------|-----------------|

### Optimization + standard conditions

R600a, 230V/50Hz, RSCR, static, VDE

|   | pe   | pc   | RGT  | Tliq | Cooling capacity | COP   | EER      | P1   | I    | Ref. mass flow |             |
|---|------|------|------|------|------------------|-------|----------|------|------|----------------|-------------|
|   | [°C] | [°C] | [°C] | [°C] | [W]              | [W/W] | [Btu/Wh] | [W]  | [A]  | [kg/h]         |             |
| Evaporating pressure (saturation temperature) | -23  | 54   | 32   | 32   | 140,4            | 1,69  | 5,79     | 82,8 | 0,40 | 1,51           | ASHRAE LBP  |
| Condensing pressure (saturation temperature)  | -10  | 130  | 90   | 90   | 479              | 1,69  | 5,79     | 82,8 | 0,40 | 1,51           | ASHRAE LBP  |
| Return gas temp.                              |      |      |      |      | 120,8            | 1,69  | 5,79     | 82,8 | 0,40 | 1,51           | ASHRAE LBP  |
| Liquid temp.                                  |      |      |      |      | 140,4            | 1,69  | 5,79     | 82,8 | 0,40 | 1,51           | ASHRAE LBP  |
| Current consumption                           |      |      |      |      |                  |       |          | 82,8 | 0,40 | 1,51           | ASHRAE LBP  |
| Power consumption                             |      |      |      |      |                  |       |          | 82,8 | 0,40 | 1,51           | ASHRAE LBP  |
|   | [°F] | [°F] | [°F] | [°F] | [Btu/h]          | [W/W] | [Btu/Wh] | [W]  | [A]  | [kg/h]         |             |
|   | -10  | 130  | 90   | 90   | 479              | 1,69  | 5,79     | 82,8 | 0,40 | 1,51           | ASHRAE LBP  |
|   |      |      |      |      | 120,8            | 1,32  | 4,52     | 79,6 | 0,38 | 1,37           | cecomaf LBP |
|   |      |      |      |      | 105,3            | 1,32  | 4,52     | 79,6 | 0,38 | 1,37           | cecomaf LBP |
|   |      |      |      |      | 90,7             | 1,32  | 4,52     | 79,6 | 0,38 | 1,37           | cecomaf LBP |
|   |      |      |      |      | 80,2             | 1,37  | 4,69     | 58,3 | 0,30 | 0,98           | EN12900 LBP |
|   |      |      |      |      | 274              | 1,37  | 4,69     | 58,3 | 0,30 | 0,98           | EN12900 LBP |
|   |      |      |      |      | 69,0             | 1,37  | 4,69     | 58,3 | 0,30 | 0,98           | EN12900 LBP |
|   |      |      |      |      | 114,2            | 1,41  | 4,83     | 80,7 | 0,39 | 1,67           | ARI540 LBP  |
|   |      |      |      |      | 390              | 1,41  | 4,83     | 80,7 | 0,39 | 1,67           | ARI540 LBP  |
|   |      |      |      |      | 98,3             | 1,41  | 4,83     | 80,7 | 0,39 | 1,67           | ARI540 LBP  |
|   |      |      |      |      | 149,4            | 1,94  | 6,62     | 77,0 | 0,37 | 1,60           | AHAM LBP    |
|   |      |      |      |      | 510              | 1,94  | 6,62     | 77,0 | 0,37 | 1,60           | AHAM LBP    |
|   |      |      |      |      | 128,6            | 1,94  | 6,62     | 77,0 | 0,37 | 1,60           | AHAM LBP    |
|   |      |      |      |      | 77,4             | 1,31  | 4,46     | 59,2 | 0,30 | 0,92           | opt         |
|   |      |      |      |      | 264              | 1,31  | 4,46     | 59,2 | 0,30 | 0,92           | opt         |
|   |      |      |      |      | 66,6             | 1,31  | 4,46     | 59,2 | 0,30 | 0,92           | opt         |

### Performance tables

R600a, 230V/50Hz, RSCR, static, VDE

|                  | pe   | pc   | RGT  | Tliq | Cooling capacity | COP   | EER      | P1    | I    | m      |
|------------------|------|------|------|------|------------------|-------|----------|-------|------|--------|
|                  | [°C] | [°F] | [°C] | [°C] | [W]              | [W/W] | [Btu/Wh] | [W]   | [A]  | [kg/h] |
| cond. pressure   | -35  | -31  | -30  | -22  | 77,4             | 1,31  | 4,46     | 59,2  | 0,30 | 0,92   |
| pc= 45/113       | -25  | -13  | -25  | -13  | 122,3            | 1,60  | 5,47     | 76,3  | 0,37 | 1,46   |
| return gas temp. | -23  | -10  | -23  | -10  | 132,6            | 1,68  | 5,73     | 79,0  | 0,38 | 1,58   |
| RGT= 32/90       | -20  | -4   | -20  | -4   | 155,0            | 1,84  | 6,28     | 84,3  | 0,41 | 1,85   |
| liquid temp      | -15  | 5    | -15  | 5    | 195,1            | 2,10  | 7,19     | 92,7  | 0,45 | 2,33   |
| Tliq= 45/113     | -10  | 14   | -10  | 14   | 243,4            | 2,38  | 8,15     | 102,1 | 0,49 | 2,91   |
| cond. pressure   | -35  | -31  | -30  | -22  | 56,7             | 0,98  | 3,35     | 57,8  | 0,28 | 0,74   |
| pc= 55/131       | -25  | -13  | -25  | -13  | 105,3            | 1,32  | 4,52     | 79,6  | 0,38 | 1,37   |
| return gas temp. | -23  | -10  | -23  | -10  | 115,2            | 1,39  | 4,74     | 83,1  | 0,40 | 1,50   |
| RGT= 32/90       | -20  | -4   | -20  | -4   | 135,9            | 1,51  | 5,17     | 89,7  | 0,43 | 1,78   |
| liquid temp      | -15  | 5    | -15  | 5    | 171,4            | 1,71  | 5,85     | 100,0 | 0,49 | 2,24   |
| Tliq= 55/131     | -10  | 14   | -10  | 14   | 212,3            | 1,91  | 6,53     | 111,1 | 0,53 | 2,79   |

## Model

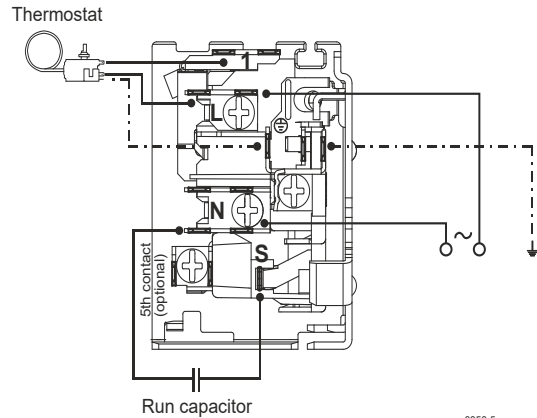
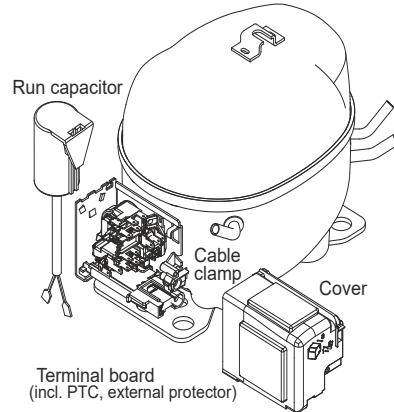
|             |                |                      |                |             |                 |
|-------------|----------------|----------------------|----------------|-------------|-----------------|
| Designation | <b>HXK80AT</b> | <b>208-230V/60Hz</b> | <b>Conf. 4</b> | Sales code: | <b>16408600</b> |
|-------------|----------------|----------------------|----------------|-------------|-----------------|

## Configuration

|                        |                  |
|------------------------|------------------|
| Motorconfiguration     | RSCR             |
| Power supply (nominal) | 208-230V/60Hz 1~ |
| Refrigerant            | R600a            |
| Application            | LBP              |
| Voltage range          | 198-253V         |
| Starting torque        | LST              |
| Approvals              | VDE              |

## Electrical accessories / wiring diagram

RSCR

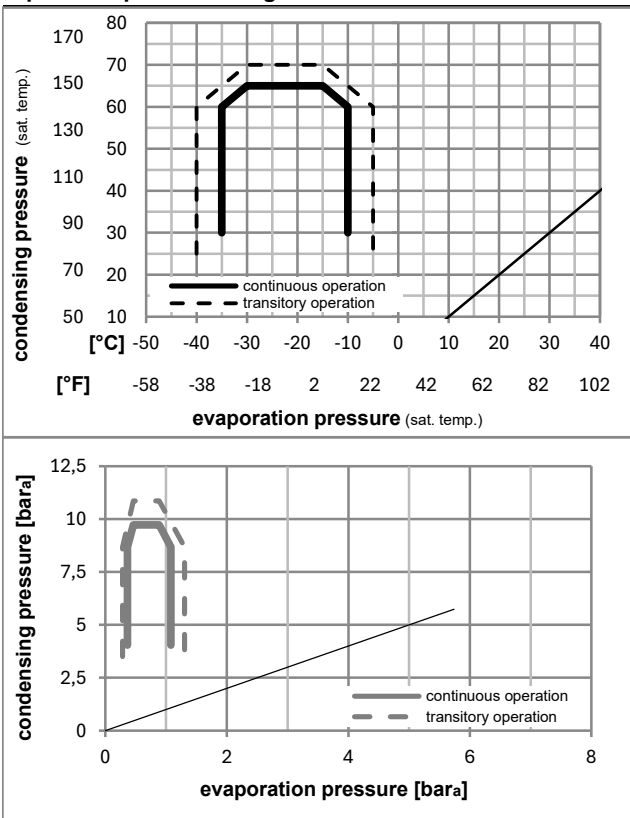


8858-5

## Ambient/ machine room temperatures minimum /maximum

|                                 |                        |
|---------------------------------|------------------------|
| Ambient temperature range:      | 10 - 43°C / 50 - 110°F |
| Machine room temperature range: | 10 - 48°C / 50 - 119°F |
| Compressor cooling:             | static                 |

## Operation pressure range



## Components

|                               |          |
|-------------------------------|----------|
| . terminal board (PTC, 6.3mm) | 16403700 |
| . run capacitor (4μF, 6.3mm)  | 15186801 |
| b cover terminal board        | 10636401 |
| . cable clamp                 | 11341000 |
| . screw - uni6954             | 10636000 |
| . screw - uni6954             | 10636200 |

## Alternative components

|                         |          |
|-------------------------|----------|
| . screw uni en iso 4757 | 10641201 |
|-------------------------|----------|

### Model

|             |                |                      |                |             |                 |
|-------------|----------------|----------------------|----------------|-------------|-----------------|
| Designation | <b>HXK80AT</b> | <b>208-230V/60Hz</b> | <b>Conf. 4</b> | Sales code: | <b>16408600</b> |
|-------------|----------------|----------------------|----------------|-------------|-----------------|

### Optimization + standard conditions

R600a, 220V/60Hz, RSCR, static, VDE

|      | Evaporating pressure (saturation temperature) |     |     |      | Cooling capacity |         |          | COP  | EER  | Power consumption |      |      | ASHRAE LBP |                    |
|------|---|-----|-----|------|------------------|---------|----------|------|------|-------------------|------|------|------------|--------------------|
|      | pe  | pc  | RGT | Tliq | [W]              | [Btu/h] | [kcal/h] |      |      | P1                | I    | ṁ    |            |                    |
| [°C] | -23   | 54  | 32  | 32   | 167,7            | 573     | 144,4    | 1,77 | 6,04 | 1,52              | 94,8 | 0,46 | 1,80       |                    |
| [°F] | -10   | 130 | 90  | 90   |                  |         |          |      |      |                   |      |      |            |                    |
|      | -25   | 55  | 32  | 55   | 125,9            | 430     | 108,4    | 1,39 | 4,75 | 1,20              | 90,6 | 0,44 | 1,64       | <b>cecomaf LBP</b> |
|      | -13   | 131 | 90  | 131  |                  |         |          |      |      |                   |      |      |            |                    |
|      | -35   | 40  | 20  | 40   | 94,7             | 323     | 81,5     | 1,44 | 4,93 | 1,24              | 65,6 | 0,33 | 1,15       | <b>EN12900 LBP</b> |
|      | -31   | 104 | 68  | 104  |                  |         |          |      |      |                   |      |      |            |                    |
|      | -23   | 49  | 4,4 | 49   | 136,0            | 465     | 117,1    | 1,46 | 5,00 | 1,26              | 92,9 | 0,45 | 1,99       | <b>ARI540 LBP</b>  |
|      | -10   | 120 | 40  | 120  |                  |         |          |      |      |                   |      |      |            |                    |
|      | -23   | 41  | 32  | 32   | 176,6            | 603     | 152,0    | 1,99 | 6,80 | 1,71              | 88,7 | 0,43 | 1,90       | <b>AHAM LBP</b>    |
|      | -10   | 105 | 90  | 90   |                  |         |          |      |      |                   |      |      |            |                    |
|      | -35   | 45  | 32  | 45   | 92,1             | 315     | 79,3     | 1,39 | 4,74 | 1,19              | 66,4 | 0,33 | 1,09       | <b>opt</b>         |
|      | -31   | 113 | 90  | 113  |                  |         |          |      |      |                   |      |      |            |                    |

### Performance tables

R600a, 220V/60Hz, RSCR, static, VDE

|                  | pe   |      | Cooling capacity |         |          | COP  | EER  | P1   | I     | m    |      |
|------------------|------|------|------------------|---------|----------|------|------|------|-------|------|------|
|                  | [°C] | [°F] | [W]              | [Btu/h] | [kcal/h] |      |      |      |       |      |      |
| [°C / °F]        | -35  | -31  | 92,1             | 315     | 79,3     | 1,39 | 4,74 | 1,19 | 66,4  | 0,33 | 1,09 |
| cond. pressure   | -30  | -22  | 114,7            | 392     | 98,7     | 1,49 | 5,08 | 1,28 | 77,1  | 0,37 | 1,36 |
| pc= 45/113       | -25  | -13  | 145,0            | 495     | 124,8    | 1,66 | 5,66 | 1,43 | 87,5  | 0,42 | 1,73 |
| return gas temp. | -23  | -10  | 157,2            | 537     | 135,3    | 1,73 | 5,89 | 1,48 | 91,1  | 0,44 | 1,87 |
| RGT= 32/90       | -20  | -4   | 183,7            | 627     | 158,1    | 1,87 | 6,39 | 1,61 | 98,2  | 0,48 | 2,19 |
| liquid temp      | -15  | 5    | 231,4            | 790     | 199,1    | 2,11 | 7,19 | 1,81 | 109,8 | 0,53 | 2,76 |
| Tliq= 45/113     | -10  | 14   | 288,8            | 986     | 248,5    | 2,35 | 8,02 | 2,02 | 123,0 | 0,59 | 3,46 |
| [°C / °F]        | -35  | -31  | 68,6             | 234     | 59,0     | 1,06 | 3,61 | 0,91 | 64,9  | 0,31 | 0,89 |
| cond. pressure   | -30  | -22  | 94,9             | 324     | 81,7     | 1,22 | 4,17 | 1,05 | 77,8  | 0,37 | 1,24 |
| pc= 55/131       | -25  | -13  | 125,9            | 430     | 108,4    | 1,39 | 4,75 | 1,20 | 90,6  | 0,44 | 1,64 |
| return gas temp  | -23  | -10  | 137,6            | 470     | 118,5    | 1,45 | 4,95 | 1,25 | 95,1  | 0,46 | 1,80 |
| RGT= 32/90       | -20  | -4   | 162,2            | 554     | 139,6    | 1,56 | 5,33 | 1,34 | 103,9 | 0,51 | 2,12 |
| liquid temp      | -15  | 5    | 204,5            | 698     | 176,0    | 1,73 | 5,90 | 1,49 | 118,4 | 0,58 | 2,68 |
| Tliq= 55/131     | -10  | 14   | 253,4            | 865     | 218,1    | 1,88 | 6,43 | 1,62 | 134,6 | 0,65 | 3,33 |



# K-Series Compressors

## GTK, HKK, HMK, HTK, HXK, HZK

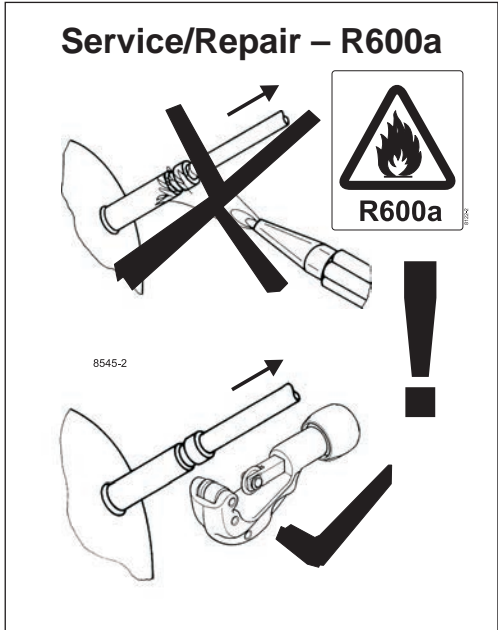
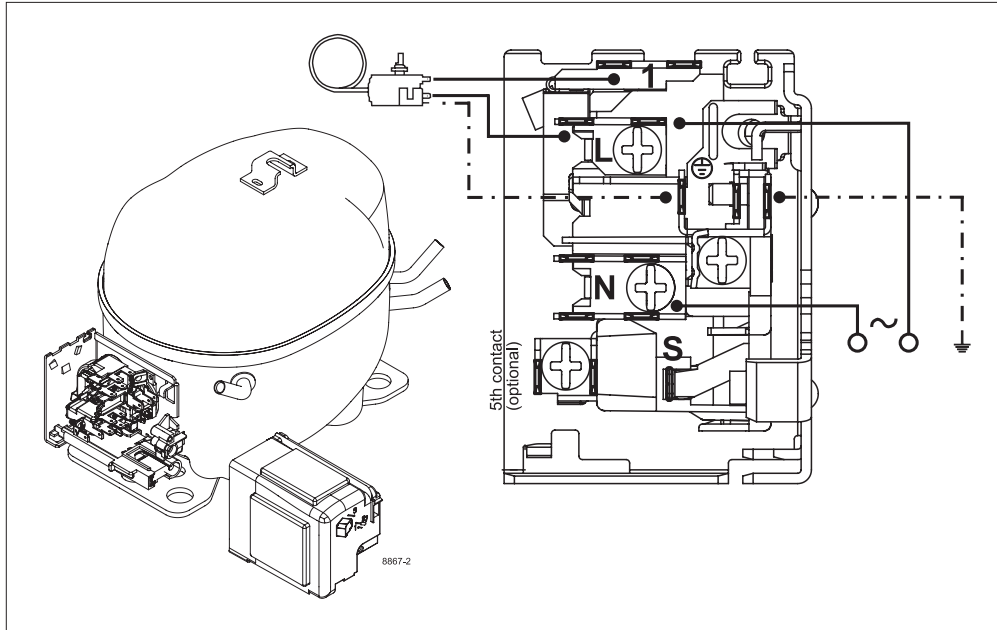


### Service/Repair – R600a



# K-Series Compressors

## GTK, HKK, HMK, HTK, HXK, HZK



Secop accepts no responsibility for possible errors in catalogs, brochures, and other printed material. Secop reserves the right to alter its products without notice. This also applies to products already on order provided that such alterations can be made without subsequential changes being necessary to specifications already agreed. All trademarks in this material are the property of the respective companies. Secop and the Secop logotype are trademarks of Secop GmbH. All rights reserved. [www.secop.com](http://www.secop.com)