

Single Pack HXK80AA_F 220-240V 50Hz RSIR

Single pack code number: **195B4665**

Position	Title	Code	Amount
1	Compressor HXK80AA_F	16414500	1
2	Sleeve	10631600	4
3	Screw for cable clamp	10636000	1
4	Screw for cable clamp	10636200	1
5	Cover	10636401	1
6	Earth screw	10641201	1
7	Rubber grommet 16mm	11322600	4
8	Cable clamp	11341000	1
9	e-PTC starting device (240V, overload protector AE24FW6F4)	15619800	1

Secop GmbH • Lise-Meitner-Straße 29 • 24941 Flensburg, Germany • Tel: +49 461 4941 0 • www.secop.com

Secop accepts no responsibility for possible errors in catalogs, brochures, and other printed material. Secop reserves the right to alter its products without notice. This also applies to products already on order provided that such alterations can be made without subsequent changes being necessary to specifications already agreed. All trademarks in this material are the property of the respective companies. Secop and the Secop logotype are trademarks of Secop GmbH. All rights reserved.

Model

Designation	HXK80AA	220-240V/50Hz 1~	Sales code:	16414500
-------------	----------------	------------------	-------------	-----------------

Compressor design

Oil type	Mineral	Refrigerant(s)	R600a
Oil viscosity	5cST	Displacement	8,1cm ³ / 0,49cu.in
Oil quantity	162cm ³ / 5,5fl.oz	Compressors on pallet	100
Refr. charge - tech. limit	150g / 5,3oz		
Free gas volume comp.	1620cm ³ / 54,8fl.oz		
Weight	9kg / 19,8lbs		
Motor protection	external		
Winding resistance main	27,7Ω (at 25°C)		
Winding resistance aux	18,8Ω (at 25°C)		
Max. winding temp.	130°C / 266°F		
Max. discharge temp.	130°C / 266°F		



General - Configurations with HXK80AA

	Conf. 1	Conf. 2
Motorconfiguration	eRSCR	RSCR
Power supply (nominal)	220-240V/50Hz	220-240V/50Hz
Number of phases	1	1
Voltage range	187-264V	187-264V
Approvals	VDE	VDE
Starting torque	LST	LST
Note	Various options of connectors are possible - please contact SECOP-Sales.	

Applications with HXK80AA

	Conf. 1	Conf. 2
Refrigerant	R600a	R600a
Application	LBP	LBP
System cooling	static	static
Hot gas defrost	-/-	-/-
Long interval pull down	-/-	-/-

Electrical data - Configurations with HXK80AA

	Conf. 1	Conf. 2
Starting device type	e-PTC	PTC
Run capacitor	3μF	3μF
Start capacitor	-/-	-/-
LRA (locked rotor amps / 4s/ U(N))		
RLA (rated load amps / 1s/ U(N))	-/-A	-/-A
Cut in current (U(N))		

Model

Designation

HXK80AA

220-240V/50Hz 1~

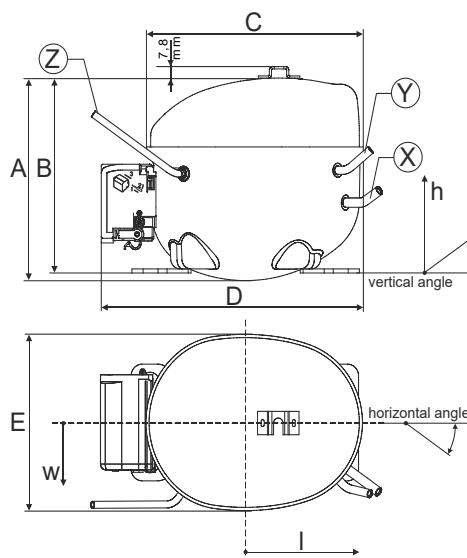
Sales code:

16414500

Compressor dimensions

Housing	A Height	174mm / 6,85in
	B Height	167mm / 6,57in
	C Length shell	194mm / 7,64in
	D Length w. cover	238mm / 9,37in
	E Width	151mm / 5,94in

Connectors		Suction	Discharge	Process
		X	Y	Z
Diameter	[mm]	øi 6,1-6,2	øi 5,1-5,2	øo 5,92-6,08
(i:inside, o:outside)	[in]	øi 0,24-0,24	øi 0,2-0,2	øo 0,23-0,24
Material		copper	copper	copper
Horizontal angle	±2°	45°	13°	0°
Vertical angle	±2°	30°	40°	145°
Position l/h/w	[mm]	120/72/62	112/106/62	-140/136/70
	[in]	4,7/2,8/2,4	4,4/4,2/2,4	-5,5/5,4/2,8
Straight tube l.	[mm]	14	14	75
	[in]	0,5	0,5	3



Compressor fixation



Baseplate	[mm]	[inch]
BI	204	8,03
BW	100	3,94
Small holes	[mm]	[inch]
SI	170	6,7
SW	70	2,76
S2l	178	7
øS	ø 16	ø 0.63

Bolt joint



Snap-on



Mounting accessories

'4ZN' with rubber grommet

order code

772N

'4ZN' with rubber grommet and sleeve for M6

768N

Bolt joint kit

4ZN + 118-1917 (18)

'4ZN' with Snap on kit

776N

Application notes

Provision for PE Grounding is located at the PE Stamp on the compressor

Housing with dip-tray fixture (omega bracket).

Various options of connectors are possible - please contact SECOP-Sales.

Model

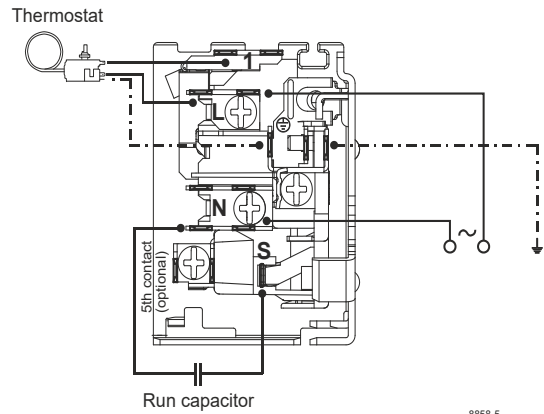
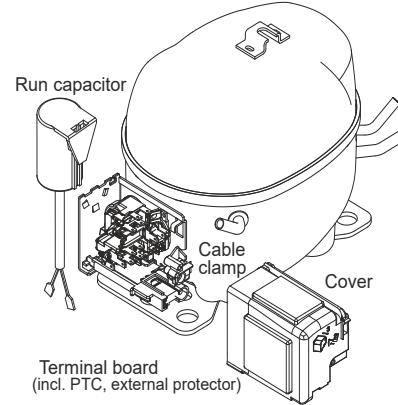
Designation	HXK80AA	220-240V/50Hz	Conf. 1	Sales code:	16414500
-------------	----------------	----------------------	---------	-------------	-----------------

Configuration

Motorconfiguration	eRSCR
Power supply (nominal)	220-240V/50Hz 1~
Refrigerant	R600a
Application	LBP
Voltage range	187-264V
Starting torque	LST
Approvals	VDE

Electrical accessories / wiring diagram

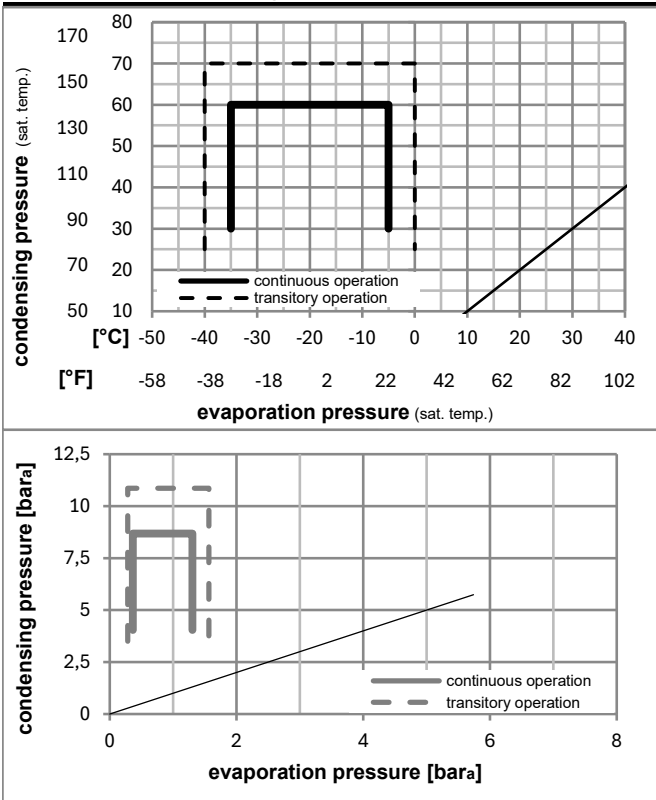
RSCR



Ambient/ machine room temperatures minimum /maximum

Ambient temperature range:	10 - 43°C / 50 - 110°F
Machine room temperature range:	10 - 48°C / 50 - 119°F
Compressor cooling:	static

Operation pressure range



Components

. terminal board (e-PTC, 4.8mm)	15619800
. run capacitor (3μF, 4.8mm)	10692902
b cover terminal board	10636401
. Cable clamp (screws not included)	11341000
. screw - uni6954	10636000
. screw - uni6954	10636200

Alternative components

. run capacitor (3μF, 4.8mm)	10693200
. screw uni en iso 4757	10641201

Model

Designation	HXK80AA	220-240V/50Hz	Conf. 1	Sales code:	16414500
-------------	----------------	----------------------	----------------	-------------	-----------------

Optimization + standard conditions

R600a, 220V/50Hz, eRSCR, static, VDE

	Evaporating pressure (saturation temperature)				Cooling capacity			COP	EER	P1	Power consumption		Ref. mass flow	ASHRAE LBP
	pe	pc	RGT	Tliq	[W]	[Btu/h]	[kcal/h]				I	m		
	[°C]	[°C]	[°C]	[°C]	[W]	[Btu/h]	[kcal/h]	[W/W]	[Btu/Wh]	[kcal/Wh]	[W]	[A]	[kg/h]	
	-23	54	32	32	140,0	478	120,4	1,90	6,48	1,63	73,7	0,35	1,50	
	[°F]													
	-10	130	90	90										
														ASHRAE LBP
	-25	55	32	55	105,0	359	90,4	1,49	5,09	1,28	70,4	0,34	1,37	
	[°F]													
	-13	131	90	131										
														cecomaf LBP
	-35	40	20	40	72,5	247	62,4	1,42	4,85	1,22	51,0	0,27	0,88	
	[°F]													
	-31	104	68	104										
														EN12900 LBP
	-23	49	4,4	49	113,6	388	97,7	1,58	5,39	1,36	71,9	0,34	1,66	
	[°F]													
	-10	120	40	120										
														ARI540 LBP
	-23	41	32	32	149,6	511	128,8	2,15	7,35	1,85	69,5	0,33	1,61	
	[°F]													
	-10	105	90	90										
														AHAM LBP
	-35	45	32	45	69,0	236	59,4	1,35	4,61	1,16	51,2	0,28	0,82	
	[°F]													
	-31	113	90	113										
														opt

Performance tables

R600a, 220V/50Hz, eRSCR, static, VDE

	pe		Cooling capacity			COP	EER		P1	I	m
	[°C]	[°F]	[W]	[Btu/h]	[kcal/h]		[Btu/Wh]	[kcal/Wh]			
[°C / °F]	-35	-31	69,0	236	59,4	1,35	4,61	1,16	51,2	0,28	0,82
cond. pressure	-30	-22	92,7	317	79,8	1,57	5,37	1,35	59,0	0,30	1,10
pc= 45/113	-25	-13	121,4	415	104,5	1,79	6,13	1,54	67,7	0,33	1,45
return gas temp.	-23	-10	132,3	452	113,9	1,87	6,38	1,61	70,8	0,34	1,58
RGT= 32/90	-20	-4	155,2	530	133,6	2,01	6,88	1,73	77,1	0,36	1,85
liquid temp	-15	5	194,0	663	167,0	2,23	7,63	1,92	86,9	0,39	2,32
Tliq= 45/113	-5	23	286,6	979	246,7	2,69	9,18	2,31	106,7	0,48	3,44
[°C / °F]	-35	-31	57,8	197	49,8	1,12	3,83	0,97	51,5	0,28	0,75
cond. pressure	-30	-22	78,9	269	67,9	1,31	4,46	1,12	60,4	0,31	1,03
pc= 55/131	-25	-13	105,0	359	90,4	1,49	5,09	1,28	70,4	0,34	1,37
return gas temp	-23	-10	115,0	393	99,0	1,55	5,31	1,34	74,0	0,35	1,50
RGT= 32/90	-20	-4	136,1	465	117,2	1,67	5,72	1,44	81,3	0,38	1,78
liquid temp	-15	5	172,3	588	148,2	1,86	6,34	1,60	92,8	0,42	2,26
Tliq= 55/131	-5	23	259,4	886	223,2	2,23	7,60	1,92	116,6	0,52	3,41

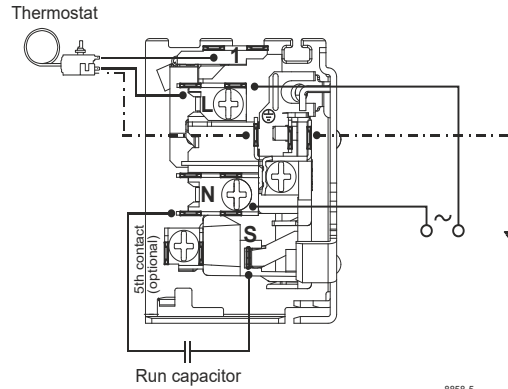
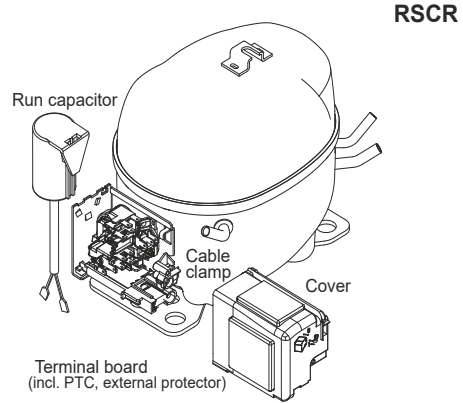
Model

Designation	HXK80AA	220-240V/50Hz	Conf. 2	Sales code:	16414500
-------------	----------------	----------------------	----------------	-------------	-----------------

Configuration

Motorconfiguration	RSCR
Power supply (nominal)	220-240V/50Hz 1~
Refrigerant	R600a
Application	LBP
Voltage range	187-264V
Starting torque	LST
Approvals	VDE

Electrical accessories / wiring diagram



Ambient/ machine room temperatures minimum /maximum

Ambient temperature range:	10 - 43°C / 50 - 110°F
Machine room temperature range:	10 - 48°C / 50 - 119°F
Compressor cooling:	static

Operation pressure range



Components

. terminal board (PTC, 4.8mm)	15661200
. run capacitor (3μF, 4.8mm)	10692902
b cover terminal board	10636401
. Cable clamp (screws not included)	11341000
. screw - uni6954	10636000
. screw - uni6954	10636200

Alternative components

. run capacitor (3μF, 4.8mm)	10693200
. screw uni en iso 4757	10641201

Model

Designation	HXK80AA	220-240V/50Hz	Conf. 2	Sales code:	16414500
-------------	----------------	----------------------	----------------	-------------	-----------------

Optimization + standard conditions

R600a, 220V/50Hz, RSCR, static, VDE

	pe	pc	RGT	Tliq	Cooling capacity	COP	EER	P1	I	Ref. mass flow	
	[°C]	[°C]	[°C]	[°C]	[W]	[W/W]	[Btu/Wh]	[W]	[A]	[kg/h]	
ASHRAE LBP	-23	54	32	32	140,0	1,90	6,48	73,7	0,35	1,50	
	[°F]				[Btu/h]		[kcal/h]				
	-10	130	90	90	478	1,90	6,48	73,7	0,35	1,50	
cecomaf LBP	-25	55	32	55	105,0	1,49	5,09	70,4	0,34	1,37	
	[°F]				[Btu/h]		[kcal/h]				
	-13	131	90	131	359	1,49	5,09	70,4	0,34	1,37	
EN12900 LBP	-35	40	20	40	72,5	1,42	4,85	51,0	0,27	0,88	
	[°F]				[Btu/h]		[kcal/h]				
	-31	104	68	104	247	1,42	4,85	51,0	0,27	0,88	
ARI540 LBP	-23	49	4,4	49	113,6	1,58	5,39	71,9	0,34	1,66	
	[°F]				[Btu/h]		[kcal/h]				
	-10	120	40	120	388	1,58	5,39	71,9	0,34	1,66	
AHAM LBP	-23	41	32	32	149,6	2,15	7,35	69,5	0,33	1,61	
	[°F]				[Btu/h]		[kcal/h]				
	-10	105	90	90	511	2,15	7,35	69,5	0,33	1,61	
opt	-35	45	32	45	69,0	1,35	4,61	51,2	0,28	0,82	
	[°F]				[Btu/h]		[kcal/h]				
	-31	113	90	113	236	1,35	4,61	51,2	0,28	0,82	

Performance tables

R600a, 220V/50Hz, RSCR, static, VDE

	pe	Cooling capacity			COP	EER	P1	I	m		
	[°C]	[°F]	[W]	[Btu/h]	[kcal/h]	[W/W]	[Btu/Wh]	[kcal/Wh]	[W]	[A]	[kg/h]
[°C / °F]	-35	-31	69,0	236	59,4	1,35	4,61	1,16	51,2	0,28	0,82
cond. pressure	-30	-22	92,7	317	79,8	1,57	5,37	1,35	59,0	0,30	1,10
pc= 45/113	-25	-13	121,4	415	104,5	1,79	6,13	1,54	67,7	0,33	1,45
return gas temp.	-23	-10	132,3	452	113,9	1,87	6,38	1,61	70,8	0,34	1,58
RGT= 32/90	-20	-4	155,2	530	133,6	2,01	6,88	1,73	77,1	0,36	1,85
liquid temp	-15	5	194,0	663	167,0	2,23	7,63	1,92	86,9	0,39	2,32
Tliq= 45/113	-5	23	286,6	979	246,7	2,69	9,18	2,31	106,7	0,48	3,44
[°C / °F]	-35	-31	57,8	197	49,8	1,12	3,83	0,97	51,5	0,28	0,75
cond. pressure	-30	-22	78,9	269	67,9	1,31	4,46	1,12	60,4	0,31	1,03
pc= 55/131	-25	-13	105,0	359	90,4	1,49	5,09	1,28	70,4	0,34	1,37
return gas temp	-23	-10	115,0	393	99,0	1,55	5,31	1,34	74,0	0,35	1,50
RGT= 32/90	-20	-4	136,1	465	117,2	1,67	5,72	1,44	81,3	0,38	1,78
liquid temp	-15	5	172,3	588	148,2	1,86	6,34	1,60	92,8	0,42	2,26
Tliq= 55/131	-5	23	259,4	886	223,2	2,23	7,60	1,92	116,6	0,52	3,41



K-Series Compressors

GTK, HKK, HMK, HTK, HXK, HZK



Service/Repair – R600a

8545-2



K-Series Compressors

GTK, HKK, HMK, HTK, HXK, HZK



Service/Repair – R600a

Secop accepts no responsibility for possible errors in catalogs, brochures, and other printed material. Secop reserves the right to alter its products without notice. This also applies to products already on order provided that such alterations can be made without subsequential changes being necessary to specifications already agreed. All trademarks in this material are the property of the respective companies. Secop and the Secop logotype are trademarks of Secop GmbH. All rights reserved. www.secop.com