

## Single Pack HTK55AA 220-240V 50Hz RSIR

Single pack code number: **195B4677**

Position	Title	Code	Amount
1	Compressor HTK55AA	16128200	1
2	Clip	10633900	4
3	Steel pin	10634100	4
4	Washer	10634300	4
5	Screw for cable clamp	10636000	1
6	Screw for cable clamp	10636200	1
7	Cover	10636401	1
8	Earth screw	10641201	1
9	Rubber grommet 16mm	11322600	4
10	Cable clamp	11341000	1
11	Terminal board 4.8mm	15165700	1

Secop GmbH • Lise-Meitner-Straße 29 • 24941 Flensburg, Germany • Tel: +49 461 4941 0 • [www.secop.com](http://www.secop.com)

Secop accepts no responsibility for possible errors in catalogs, brochures, and other printed material. Secop reserves the right to alter its products without notice. This also applies to products already on order provided that such alterations can be made without subsequent changes being necessary to specifications already agreed. All trademarks in this material are the property of the respective companies. Secop and the Secop logotype are trademarks of Secop GmbH. All rights reserved.

## Model

Designation	<b>HTK55AA</b>	220-240V/50Hz 1~	Sales code:	<b>16128200</b>
-------------	----------------	------------------	-------------	-----------------

## Compressor design

Oil type	Mineral	Refrigerant(s)	<b>R600a</b>
Oil viscosity	5cST	Displacement	5,6cm <sup>3</sup> / 0,34cu.in
Oil quantity	162cm <sup>3</sup> / 5,5fl.oz	Compressors on pallet	100
Refr. charge - tech. limit	150g / 5,3oz		
Free gas volume comp.	1500cm <sup>3</sup> / 50,7fl.oz		
Weight	7,8kg / 17,2lbs		
Motor protection	external		
Winding resistance main	32,7Ω (at 25°C)		
Winding resistance aux	29,2Ω (at 25°C)		
Max. winding temp.	130°C / 266°F		
Max. discharge temp.	130°C / 266°F		



## General - Configurations with HTK55AA

	Conf. 1	Conf. 2
Motorconfiguration	RSIR	RSCR
Power supply (nominal)	220-240V/50Hz	220-240V/50Hz
Number of phases	1	1
Voltage range	187-264V	187-264V
Approvals	VDE	VDE
Starting torque	LST	LST
Note	Various options of connectors are possible - please contact SECOP-Sales.	

## Applications with HTK55AA

	Conf. 1	Conf. 2
Refrigerant	R600a	R600a
Application	LBP	LBP
System cooling	static	static
Hot gas defrost	-/-	-/-
Long interval pull down	-/-	-/-

## Electrical data - Configurations with HTK55AA

	Conf. 1	Conf. 2
Starting device type	PTC	PTC
Run capacitor	-/-	2,5μF
Start capacitor	-/-	-/-
LRA (locked rotor amps / 4s/ U(N))		
RLA (rated load amps / 1s/ U(N))	-/-A	-/-A
Cut in current (U(N))		

## Model

Designation

**HTK55AA**

220-240V/50Hz 1~

Sales code:

**16128200**

## Compressor dimensions

Housing	A Height	174mm / 6,85in
	B Height	167mm / 6,57in
	C Length shell	194mm / 7,64in
	D Length w. cover	238mm / 9,37in
	E Width	151mm / 5,94in

Connectors		Suction	Discharge	Process
		X	Y	Z
Diameter	[mm]	øi 6,16-6,24	øi 5,1-5,2	øi 6,11-6,29
	(i:inside, o:outside) [in]	øi 0,24-0,25	øi 0,2-0,2	øi 0,24-0,25
Material		copper	copper	copper
Horizontal angle	±2°	54°	35°	45°
Vertical angle	±2°	35°	40°	35°
Position l/h/w	[mm]	120/92/57	112/106/81	-86/94/72
	[in]	4,7/3,6/2,2	4,4/4,2/3,2	-3,4/3,7/2,8
Straight tube l.	[mm]	14	14	14
	[in]	0,5	0,5	0,5



## Compressor fixation



Baseplate	[mm]	[inch]
BI	204	8.03
BW	100	3.94
Small holes	[mm]	[inch]
SI	170	6.7
SW	70	2.76
S2l	178	7
øS	ø 16	ø 0.63

## Bolt joint



## Snap-on



## Mounting accessories

'4ZN' with rubber grommet

'4ZN' with rubber grommet and sleeve for M6

Bolt joint kit

'4ZN' with Snap on kit

order code

772N

768N

4ZN + 118-1917 (18)

776N

## Application notes

Provision for PE Grounding is located at the PE Stamp on the compressor

Housing with dip-tray fixture (omega bracket).

Various options of connectors are possible - please contact SECOP-Sales.

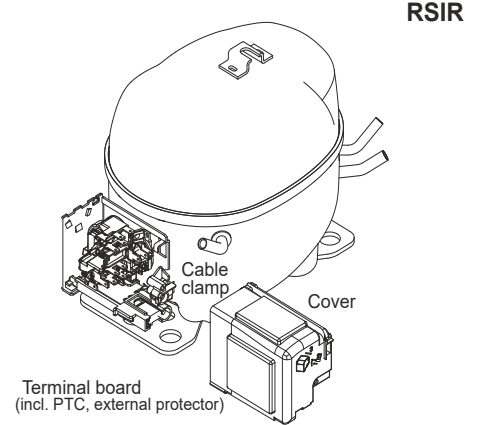
### Model

Designation	<b>HTK55AA</b>	<b>220-240V/50Hz</b>	Conf. 1	Sales code:	<b>16128200</b>
-------------	----------------	----------------------	---------	-------------	-----------------

### Configuration

Motorconfiguration	RSIR
Power supply (nominal)	220-240V/50Hz 1~
Refrigerant	R600a
Application	LBP
Voltage range	187-264V
Starting torque	LST
Approvals	VDE

### Electrical accessories / wiring diagram

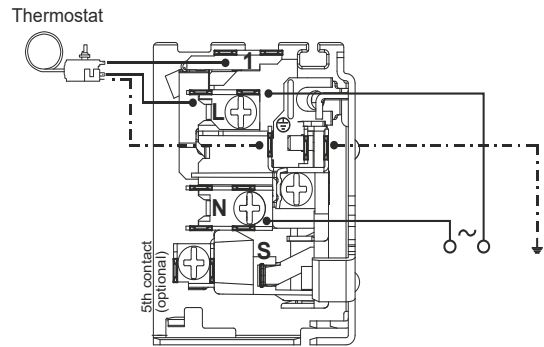


### Ambient/ machine room temperatures minimum /maximum

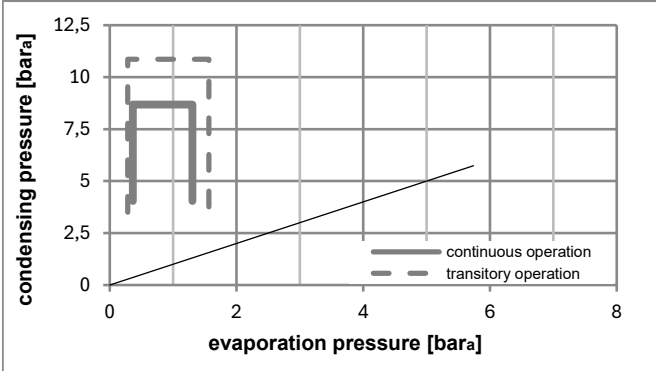
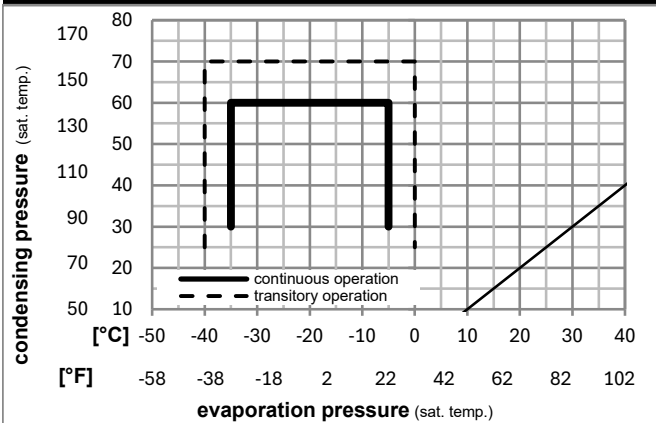
Ambient temperature range: 10 - 43°C / 50 - 110°F

Machine room temperature range: 10 - 48°C / 50 - 119°F

Compressor cooling: static



### Operation pressure range



### Components

a	terminal board (PTC, 4.8mm)	15165700
b	cover terminal board	10636401
c	cable clamp	11341000
d	screw - uni6954	10636000
e	screw - uni6954	10636200
f	screw uni en iso 4757	10641201

## Model

Designation	<b>HTK55AA</b>	<b>220-240V/50Hz</b>	<b>Conf. 1</b>	Sales code:	<b>16128200</b>
-------------	----------------	----------------------	----------------	-------------	-----------------

## Optimization + standard conditions

R600a, 220V/50Hz, RSIR, static, VDE

	Evaporating pressure (saturation temperature)				Cooling capacity			COP	EER	P1	Power consumption		Ref. mass flow	ASHRAE LBP
	pe	pc	RGT	Tliq	[W]	[Btu/h]	[kcal/h]				I	m		
	[°C]	[°F]	[°C]	[°F]	[W]	[Btu/h]	[kcal/h]	[W/W]	[Btu/Wh]	[kcal/Wh]	[W]	[A]	[kg/h]	
	-23	54	32	32	93,0	318	80,0	1,55	5,29	1,33	60,0	0,40	1,00	ASHRAE LBP
	[°F]	-10	130	90										
	-25	55	32	55	68,7	235	59,1	1,20	4,09	1,03	57,3	0,39	0,90	cecomaf LBP
	[°F]	-13	131	90										
	-35	40	20	40	41,0	140	35,3	1,02	3,50	0,88	40,0	0,33	0,50	EN12900 LBP
	[°F]	-31	104	68										
	-23	49	4,4	49	76,7	262	66,0	1,31	4,48	1,13	58,5	0,39	1,12	ARI540 LBP
	[°F]	-10	120	40										
	-23	41	32	32	103,0	352	88,7	1,82	6,23	1,57	56,5	0,38	1,11	AHAM LBP
	[°F]	-10	105	90										
	-35	45	32	45	38,8	133	33,4	0,97	3,30	0,83	40,2	0,32	0,46	opt
	[°F]	-31	113	90										

## Performance tables

R600a, 220V/50Hz, RSIR, static, VDE

	pe		Cooling capacity			COP	EER		P1	I	m
	[°C]	[°F]	[W]	[Btu/h]	[kcal/h]		[Btu/Wh]	[kcal/Wh]			
[°C / °F]	-35	-31	38,8	133	33,4	0,97	3,30	0,83	40,2	0,32	0,46
cond. pressure	-30	-22	58,9	201	50,7	1,23	4,19	1,06	48,0	0,35	0,70
pc= 45/113	-25	-13	81,9	280	70,5	1,48	5,06	1,27	55,3	0,38	0,97
return gas temp.	-23	-10	90,4	309	77,8	1,57	5,35	1,35	57,7	0,39	1,08
RGT= 32/90	-20	-4	107,9	369	92,9	1,73	5,92	1,49	62,3	0,41	1,29
liquid temp	-15	5	137,2	468	118,1	1,99	6,78	1,71	69,1	0,44	1,64
Tliq= 45/113	-5	23	205,9	703	177,2	2,50	8,53	2,15	82,4	0,50	2,47
[°C / °F]	-35	-31	31,7	108	27,2	0,80	2,73	0,69	39,7	0,31	0,41
cond. pressure	-30	-22	48,5	166	41,8	1,00	3,42	0,86	48,5	0,35	0,63
pc= 55/131	-25	-13	68,7	235	59,1	1,20	4,09	1,03	57,3	0,39	0,90
return gas temp	-23	-10	76,3	261	65,7	1,27	4,32	1,09	60,3	0,40	1,00
RGT= 32/90	-20	-4	92,3	315	79,4	1,40	4,77	1,20	66,1	0,42	1,21
liquid temp	-15	5	119,5	408	102,8	1,59	5,44	1,37	75,0	0,46	1,56
Tliq= 55/131	-5	23	185,1	632	159,3	1,98	6,76	1,70	93,5	0,54	2,44

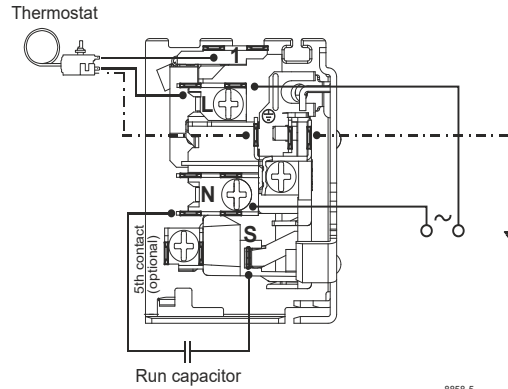
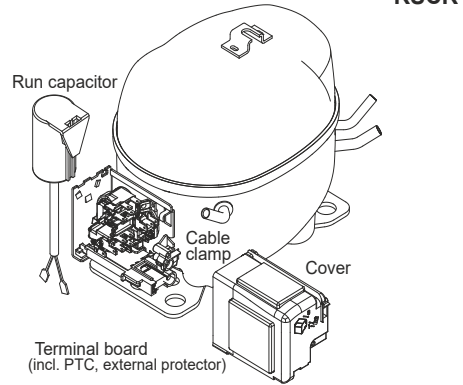
### Model

Designation	<b>HTK55AA</b>	<b>220-240V/50Hz</b>	<b>Conf. 2</b>	Sales code:	<b>16128200</b>
-------------	----------------	----------------------	----------------	-------------	-----------------

### Configuration

Motorconfiguration	RSCR
Power supply (nominal)	220-240V/50Hz 1~
Refrigerant	R600a
Application	LBP
Voltage range	187-264V
Starting torque	LST
Approvals	VDE

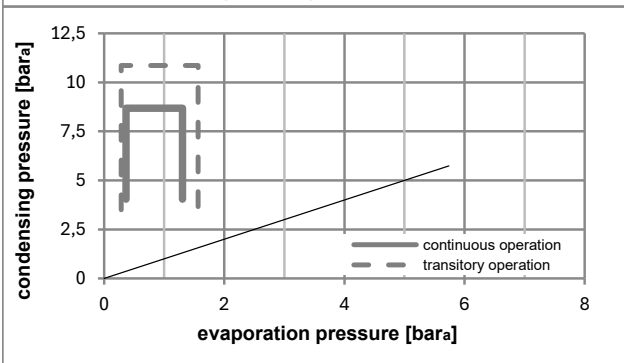
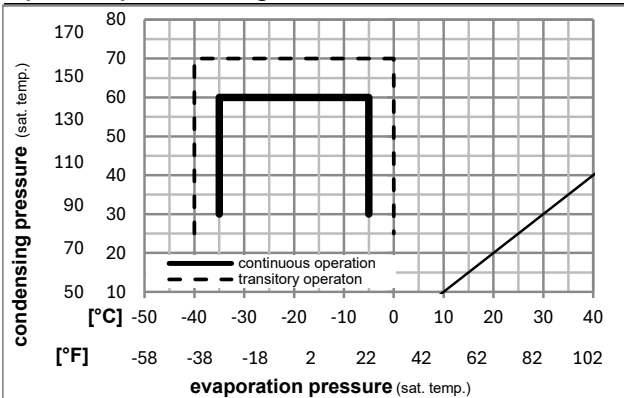
### Electrical accessories / wiring diagram



### Ambient/ machine room temperatures minimum /maximum

Ambient temperature range:	10 - 43°C / 50 - 110°F
Machine room temperature range:	10 - 48°C / 50 - 119°F
Compressor cooling:	static

### Operation pressure range



### Components

. terminal board (PTC, 4.8mm)	15165700
. run capacitor (2,5µF, 4.8mm)	10692802
b cover terminal board	10636401
. cable clamp	11341000
. screw - uni6954	10636000
. screw - uni6954	10636200

### Alternative components

. screw uni en iso 4757	10641201
-------------------------	----------

### Model

Designation	<b>HTK55AA</b>	<b>220-240V/50Hz</b>	<b>Conf. 2</b>	Sales code:	<b>16128200</b>
-------------	----------------	----------------------	----------------	-------------	-----------------

### Optimization + standard conditions

R600a, 220V/50Hz, RSCR, static, VDE

		Evaporating pressure (saturation temperature)				Condensing pressure (saturation temperature)			Return gas temp.		Liquid temp.		Cooling capacity			COP	EER	Power consumption			
		pe	pc	RGT	Tliq	[W]	[Btu/h]	[kcal/h]	[W/W]	[Btu/Wh]	[kcal/Wh]	P1	I	m							
[°C]	[°F]	[°C]	[°F]	[°C]	[°F]							[W]	[A]	[kg/h]							
-23	-10	54	130	32	90	93,0	318	80,0	1,61	5,49	1,38	57,8	0,29	1,00						<b>ASHRAE LBP</b>	
-25	-13	55	131	32	90	68,7	235	59,1	1,25	4,25	1,07	55,2	0,28	0,90						<b>cecomaf LBP</b>	
-35	-31	40	104	20	68	41,0	140	35,3	1,08	3,68	0,93	38,0	0,24	0,50						<b>EN12900 LBP</b>	
-23	-10	49	120	4,4	40	76,7	262	66,0	1,36	4,63	1,17	56,6	0,29	1,12						<b>ARI540 LBP</b>	
-23	-10	41	105	32	90	103,0	352	88,7	1,88	6,42	1,62	54,8	0,28	1,11						<b>AHAM LBP</b>	
-35	-31	45	113	32	90	38,8	133	33,4	1,01	3,47	0,87	38,3	0,24	0,46						<b>opt</b>	

### Performance tables

R600a, 220V/50Hz, RSCR, static, VDE

	pe		Cooling capacity			COP	EER	P1	I	m	
	[°C]	[°F]	[W]	[Btu/h]	[kcal/h]	[W/W]	[Btu/Wh]	[kcal/Wh]	[W]	[A]	[kg/h]
[°C / °F]	-35	-31	38,8	133	33,4	1,01	3,47	0,87	38,3	0,24	0,46
cond. pressure	-30	-22	58,9	201	50,7	1,28	4,36	1,10	46,1	0,26	0,70
pc= 45/113	-25	-13	81,9	280	70,5	1,53	5,23	1,32	53,5	0,28	0,97
return gas temp.	-23	-10	90,4	309	77,8	1,62	5,52	1,39	55,9	0,28	1,08
RGT= 32/90	-20	-4	107,9	369	92,9	1,79	6,10	1,54	60,5	0,30	1,29
liquid temp	-15	5	137,2	468	118,1	2,04	6,97	1,76	67,2	0,32	1,64
Tliq= 45/113	-5	23	205,9	703	177,2	2,55	8,70	2,19	80,8	0,37	2,47
[°C / °F]	-35	-31	31,7	108	27,2	0,84	2,85	0,72	37,9	0,23	0,41
cond. pressure	-30	-22	48,5	166	41,8	1,04	3,56	0,90	46,6	0,25	0,63
pc= 55/131	-25	-13	68,7	235	59,1	1,25	4,25	1,07	55,2	0,28	0,90
return gas temp	-23	-10	76,3	261	65,7	1,31	4,49	1,13	58,1	0,29	1,00
RGT= 32/90	-20	-4	92,3	315	79,4	1,45	4,95	1,25	63,7	0,31	1,21
liquid temp	-15	5	119,5	408	102,8	1,65	5,64	1,42	72,4	0,34	1,56
Tliq= 55/131	-5	23	185,1	632	159,3	2,04	6,96	1,75	90,9	0,39	2,44



# K-Series Compressors

## GTK, HKK, HMK, HTK, HXK, HZK



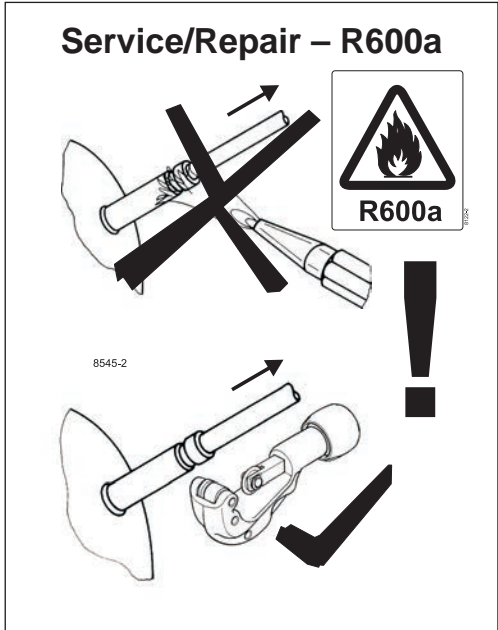
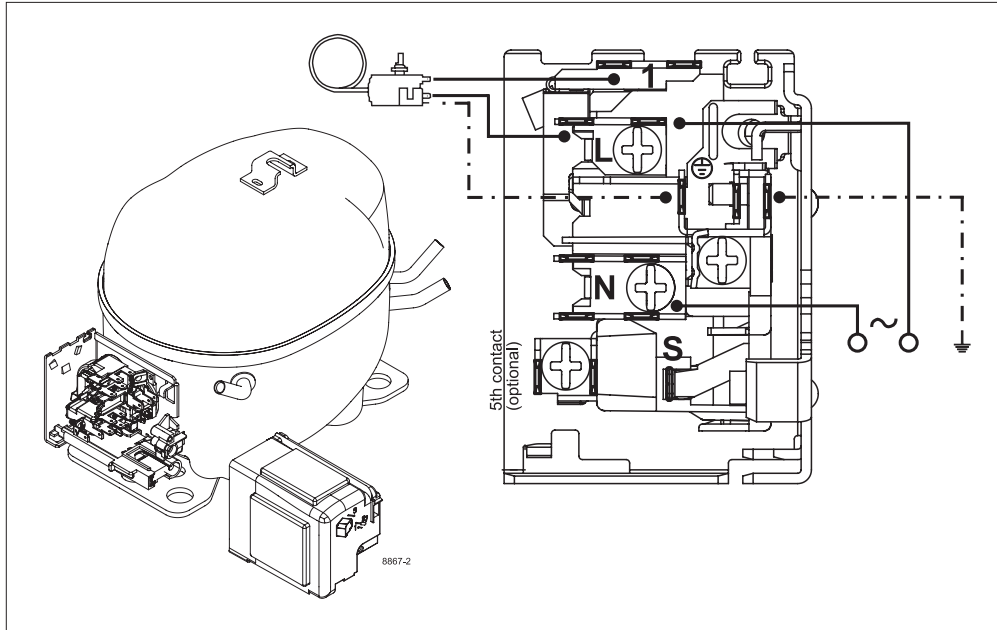
### Service/Repair – R600a





# K-Series Compressors

## GTK, HKK, HMK, HTK, HXK, HZK



Secop accepts no responsibility for possible errors in catalogs, brochures, and other printed material. Secop reserves the right to alter its products without notice. This also applies to products already on order provided that such alterations can be made without subsequential changes being necessary to specifications already agreed. All trademarks in this material are the property of the respective companies. Secop and the Secop logotype are trademarks of Secop GmbH. All rights reserved. [www.secop.com](http://www.secop.com)