

Single Pack HMK12AA 220-240V 50Hz RSIR

Single pack code number: **195B4712**

Position	Title	Code	Amount
1	Compressor HMK12AA	16229100	1
2	Screw for cable clamp	10636000	1
3	Screw for cable clamp	10636200	1
4	Earth screw	10641201	1
5	Cable clamp	11341000	1
6	Terminal board 4.8mm	15164700	1
7	Cover	10636401	1
8	Bolt joint for one compressor M6 ø16mm	118-1917	1

Secop GmbH • Lise-Meitner-Straße 29 • 24941 Flensburg, Germany • Tel: +49 461 4941 0 • www.secop.com

Secop accepts no responsibility for possible errors in catalogs, brochures, and other printed material. Secop reserves the right to alter its products without notice. This also applies to products already on order provided that such alterations can be made without subsequent changes being necessary to specifications already agreed. All trademarks in this material are the property of the respective companies. Secop and the Secop logotype are trademarks of Secop GmbH. All rights reserved.

Model

Designation	HMK12AA	220-240V/50Hz 1~	Sales code:	16229100
-------------	----------------	------------------	-------------	-----------------

Compressor design

Oil type	Mineral	Refrigerant(s)	R600a
Oil viscosity	5cST	Displacement	11,2cm ³ / 0,68cu.in
Oil quantity	162cm ³ / 5,5fl.oz	Compressors on pallet	100
Refr. charge - tech. limit	150g / 5,3oz		
Free gas volume comp.	1560cm ³ / 52,7fl.oz		
Weight	9kg / 19,8lbs		
Motor protection	external		
Winding resistance main	15,7Ω (at 25°C)		
Winding resistance aux	12,6Ω (at 25°C)		
Max. winding temp.	130°C / 266°F		
Max. discharge temp.	130°C / 266°F		



General - Configurations with HMK12AA

	Conf. 1
Motorconfiguration	RSIR
Power supply (nominal)	220-240V/50Hz
Number of phases	1
Voltage range	187-264V
Approvals	VDE
Starting torque	LST
Note	Various options of connectors are possible - please contact SECOP-Sales.

Applications with HMK12AA

	Conf. 1
Refrigerant	R600a
Application	LBP
System cooling	static
Hot gas defrost	-/-
Long interval pull down	-/-

Electrical data - Configurations with HMK12AA

	Conf. 1
Starting device type	PTC
Run capacitor	-/-
Start capacitor	-/-
LRA (locked rotor amps / 4s/ U(N))	6,2A
RLA (rated load amps / 1s/ U(N))	1,2A
Cut in current (U(N))	12,9A

Model

Designation

HMK12AA

220-240V/50Hz 1~

Sales code:

16229100

Compressor dimensions

Housing	A Height	182mm / 7,17in
	B Height	175mm / 6,89in
	C Length shell	194mm / 7,64in
	D Length w. cover	238mm / 9,37in
	E Width	151mm / 5,94in

Connectors		Suction	Discharge	Process
		X	Y	Z
Diameter	[mm]	øi 6,16-6,24	øi 5,1-5,2	øi 6,11-6,29
	(i:inside, o:outside) [in]	øi 0,24-0,25	øi 0,2-0,2	øi 0,24-0,25
Material		copper	copper	copper
Horizontal angle	±2°	54°	35°	45°
Vertical angle	±2°	35°	40°	35°
Position l/h/w	[mm]	120/92/57	112/106/81	-86/94/72
	[in]	4,7/3,6/2,2	4,4/4,2/3,2	-3,4/3,7/2,8
Straight tube l.	[mm]	14	14	14
	[in]	0,5	0,5	0,5



Compressor fixation



Baseplate	[mm]	[inch]
BI	204	8.03
BW	100	3.94
Small holes		
SI	170	6.7
SW	70	2.76
S2l	178	7
øS	ø 16	ø 0.63

Bolt joint



Snap-on



Mounting accessories

'4ZN' with rubber grommet

'4ZN' with rubber grommet and sleeve for M6

Bolt joint kit

'4ZN' with Snap on kit

order code

772N

768N

4ZN + 118-1917 (18)

776N

Application notes

Provision for PE Grounding is located at the PE Stamp on the compressor

Housing with dip-tray fixture (omega bracket).

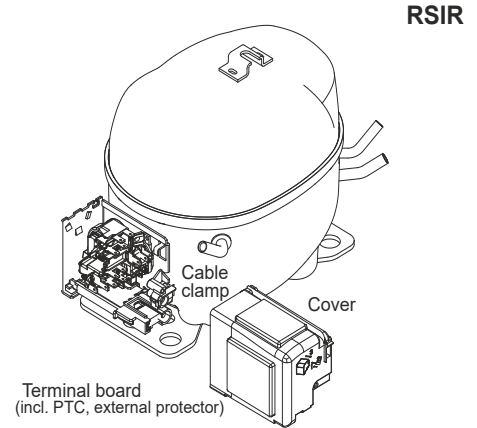
Model

Designation	HMK12AA	220-240V/50Hz	Conf. 1	Sales code:	16229100
-------------	----------------	----------------------	---------	-------------	-----------------

Configuration

Motorconfiguration	RSIR
Power supply (nominal)	220-240V/50Hz 1~
Refrigerant	R600a
Application	LBP
Voltage range	187-264V
Starting torque	LST
Approvals	VDE

Electrical accessories / wiring diagram

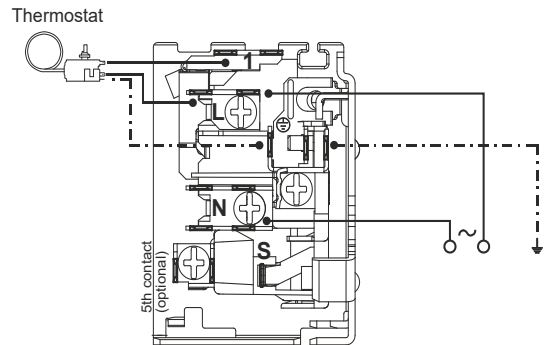


Ambient/ machine room temperatures minimum /maximum

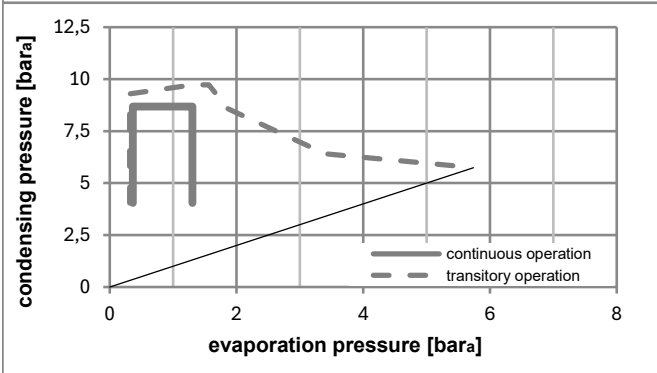
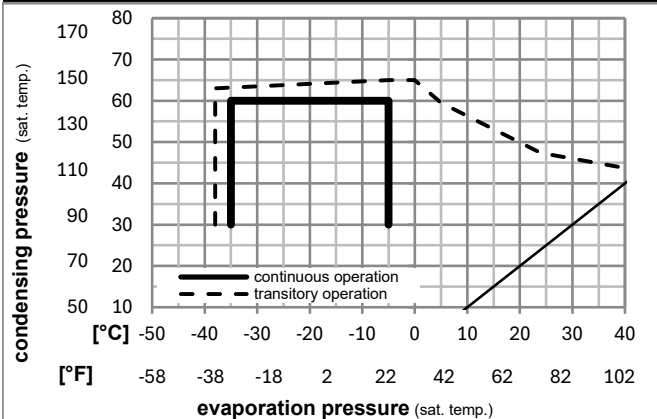
Ambient temperature range: 10 - 43°C / 50 - 110°F

Machine room temperature range: 10 - 48°C / 50 - 119°F

Compressor cooling: static



Operation pressure range



8858-6

Components

. terminal board (PTC, 4.8mm)	15164700
b cover terminal board	10636401
. cable clamp	11341000
. screw - uni6954	10636000
. screw - uni6954	10636200
. screw uni en iso 4757	10641201

Alternative components

. terminal board (PTC, 6.3mm)	15588600
-------------------------------	----------

Model

Designation **HMK12AA** **220-240V/50Hz** Conf. 1 Sales code: **16229100**

Optimization + standard conditions

R600a, 220V/50Hz, RSIR, static, VDE

	Evaporating pressure (saturation temperature)				Cooling capacity			COP	EER	P1	Power consumption		ASHRAE LBP	
	pe	pc	RGT	Tliq	[W]	[Btu/h]	[kcal/h]				I	m		
	[°C]	[°F]	[°C]	[°F]	[W]	[Btu/h]	[kcal/h]	[W/W]	[Btu/Wh]	[kcal/Wh]	[W]	[A]	[kg/h]	
	-23	54	32	32	197,9	676	170,4	1,53	5,23	1,32	129,2	0,87	2,12	
	[°F]	-10	130	90										
	-25	55	32	55	149,0	509	128,2	1,20	4,10	1,03	124,0	0,85	1,94	cecomaf LBP
	[°F]	-13	131	90										
	-35	40	20	40	93,7	320	80,6	1,08	3,68	0,93	87,0	0,72	1,14	EN12900 LBP
	[°F]	-31	104	68										
	-23	49	4,4	49	160,7	549	138,3	1,28	4,37	1,10	125,5	0,86	2,35	ARI540 LBP
	[°F]	-10	120	40										
	-23	41	32	32	211,6	723	182,1	1,75	5,99	1,51	120,7	0,84	2,27	AHAM LBP
	[°F]	-10	105	90										
	-35	45	32	45	91,7	313	78,9	1,04	3,54	0,89	88,5	0,71	1,09	opt
	[°F]	-31	113	90										

Performance tables

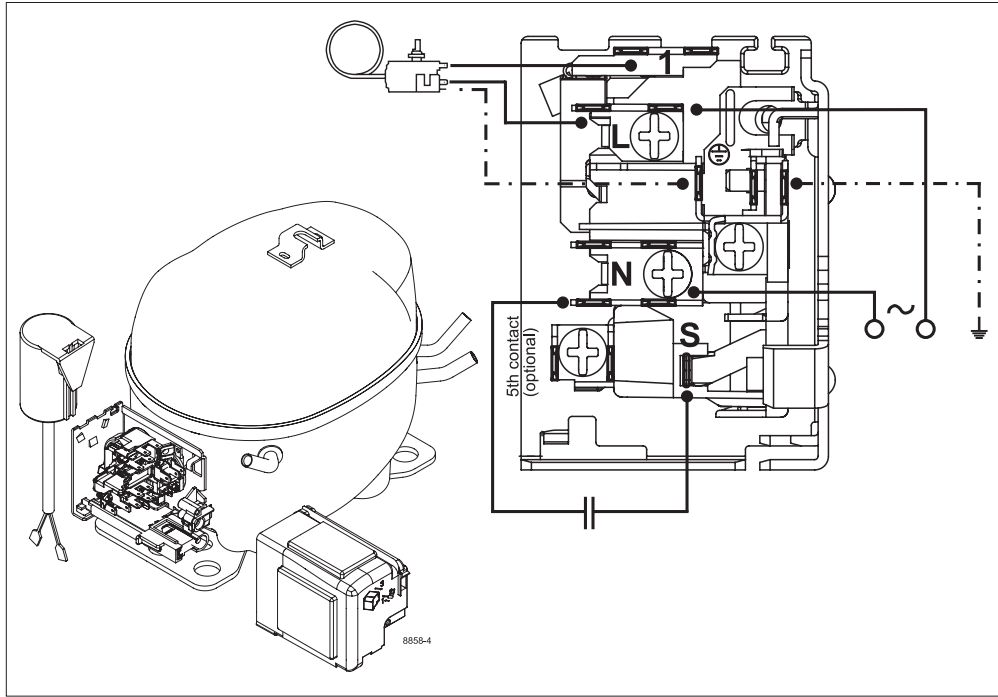
R600a, 220V/50Hz, RSIR, static, VDE

	pe		Cooling capacity			COP	EER		P1	I	m
	[°C]	[°F]	[W]	[Btu/h]	[kcal/h]		[Btu/Wh]	[kcal/Wh]			
[°C / °F]	-35	-31	91,7	313	78,9	1,04	3,54	0,89	88,5	0,71	1,09
cond. pressure	-30	-22	129,3	442	111,3	1,25	4,26	1,07	103,8	0,77	1,54
pc= 45/113	-25	-13	171,7	586	147,8	1,45	4,95	1,25	118,4	0,83	2,04
return gas temp.	-23	-10	187,2	639	161,1	1,52	5,19	1,31	123,3	0,85	2,23
RGT= 32/90	-20	-4	218,8	747	188,3	1,65	5,64	1,42	132,4	0,89	2,61
liquid temp	-15	5	270,5	924	232,8	1,86	6,34	1,60	145,8	0,96	3,23
Tliq= 45/113	-5	23	387,4	1323	333,4	2,27	7,75	1,95	170,7	1,10	4,65
[°C / °F]	-35	-31	81,6	279	70,2	0,90	3,07	0,77	90,8	0,69	1,06
cond. pressure	-30	-22	112,5	384	96,8	1,05	3,58	0,90	107,3	0,76	1,47
pc= 55/131	-25	-13	149,0	509	128,2	1,20	4,10	1,03	124,0	0,85	1,94
return gas temp	-23	-10	162,7	556	140,0	1,25	4,28	1,08	129,8	0,87	2,12
RGT= 32/90	-20	-4	191,0	652	164,4	1,35	4,62	1,16	141,1	0,93	2,50
liquid temp	-15	5	238,4	814	205,1	1,50	5,13	1,29	158,6	1,01	3,12
Tliq= 55/131	-5	23	349,2	1193	300,5	1,79	6,12	1,54	194,9	1,18	4,60



K-Series Compressors

GTK, HKK, HMK, HTK, HXK, HZK



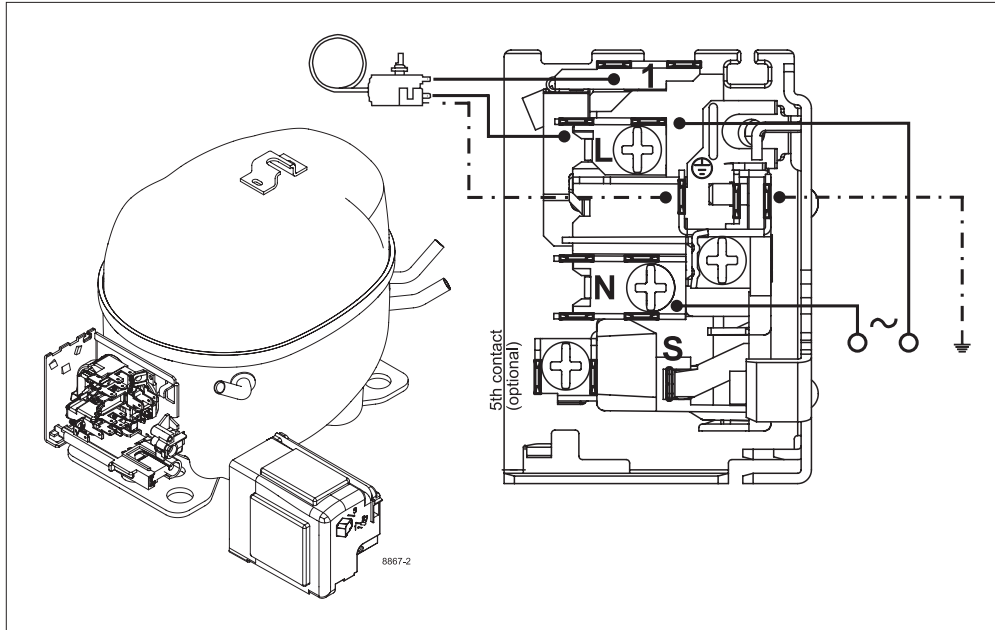
Service/Repair – R600a

8545-2



K-Series Compressors

GTK, HKK, HMK, HTK, HXK, HZK



Service/Repair – R600a

Secop accepts no responsibility for possible errors in catalogs, brochures, and other printed material. Secop reserves the right to alter its products without notice. This also applies to products already on order provided that such alterations can be made without subsequential changes being necessary to specifications already agreed. All trademarks in this material are the property of the respective companies. Secop and the Secop logotype are trademarks of Secop GmbH. All rights reserved. www.secop.com