

## Single Pack NF10FX 115-127V 60Hz CSIR

Single pack code number: **195B4015**

Position	Title	Code	Amount
1	Compressor NF10FX	105G5952	1
2	Bolt joint for one compressor   M6   ø16mm	118-1917	1

**Secop GmbH** • Lise-Meitner-Straße 29 • 24941 Flensburg, Germany • Tel: +49 461 4941 0 • [www.secop.com](http://www.secop.com)

Secop accepts no responsibility for possible errors in catalogs, brochures, and other printed material. Secop reserves the right to alter its products without notice. This also applies to products already on order provided that such alterations can be made without subsequent changes being necessary to specifications already agreed. All trademarks in this material are the property of the respective companies. Secop and the Secop logotype are trademarks of Secop GmbH. All rights reserved.

## Model

Designation	<b>NF10FX</b>	115-127V/60Hz 1~	Sales code:	<b>105G5952</b>
-------------	---------------	------------------	-------------	-----------------

## Compressor design

Oil type	Polyolester	Refrigerant(s)	<b>R134a</b>
Oil viscosity	32cST	Displacement	10,09cm <sup>3</sup> / 0,62cu.in
Oil quantity	298cm <sup>3</sup> / 10,1fl.oz	Compressors on pallet	80
Refr. charge - tech. limit	460g / 16,2oz		
Free gas volume comp.	2360cm <sup>3</sup> / 79,8fl.oz		
Weight	10kg / 22lbs		
Motor protection	external		
Winding resistance main	1,62Ω (at 25°C)		
Winding resistance aux	4,9Ω (at 25°C)		
Max. winding temp.	125°C / 257°F		
Max. discharge temp.	110°C / 230°F		



## General - Configurations with NF10FX

	<b>Conf. 1</b>
Motorconfiguration	CSIR
Power supply (nominal)	115-127V/60Hz
Number of phases	1
Voltage range	95-135V
Approvals	UL
Starting torque	HST
Note	Electrical equipment is included and pre-assembled to compressor.

## Applications with NF10FX

	<b>Conf. 1</b>
Refrigerant	R134a
Application	LBP+MBP
System cooling	fan 1,5m/s
Hot gas defrost	OK
Long interval pull down	OK

## Electrical data - Configurations with NF10FX

	<b>Conf. 1</b>
Starting device type	relay
Run capacitor	-/-
Start capacitor	320μF
LRA (locked rotor amps / 4s/ U(N))	30,8A
RLA (rated load amps / 1s/ U(N))	4,9A
Cut in current (U(N))	30,8A

## Model

Designation

**NF10FX**

115-127V/60Hz 1~

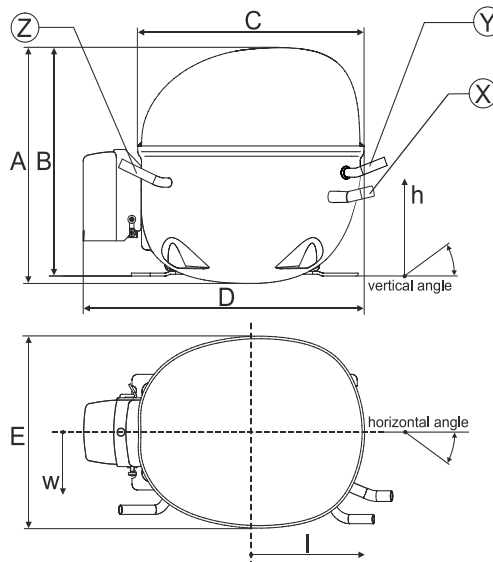
Sales code:

**105G5952**

## Compressor dimensions

Housing	A Height	197mm / 7,76in
	B Height	191mm / 7,52in
	C Length shell	205mm / 8,07in
	D Length w. cover	254mm / 10in
	E Width	166mm / 6,54in

Connectors		Suction	Discharge	Process
		X	Y	Z
Diameter	[mm]	øi 8,11-8,29	øi 6,41-6,59	øi 6,41-6,59
(i:inside, o:outside)	[in]	øi 0,32-0,33	øi 0,25-0,26	øi 0,25-0,26
Material		copper	copper	copper
Horizontal angle	±2°	0°	0°	0°
Vertical angle	±2°	15°	35°	155°
Position l/h/w	[mm]	126/76/78	133/103/54	-107/94/72
	[in]	4,9/3/3,1	5,2/4/2,1	-4,2/3,7/2,8
Straight tube l.	[mm]	12	12	12
	[in]	0,5	0,5	0,5



## Compressor fixation



### Bolt joint



### Snap-on



## Mounting accessories

Mounting accessories	one comp.	multi pack
Bolt joint   M6   ø16mm	118-1917	118-1918
Bolt joint   ø1/4"   ø16mm	118-1946	
Bolt joint   ø1/4"   ø19mm	118-1949	
Snap-on   ø7,3   ø16mm	118-1947	118-1919

## Application notes

Provision for PE Grounding is located at the PE Stamp on the compressor

## Model

Designation	<b>NF10FX</b>	<b>115-127V/60Hz</b>	<b>Conf. 1</b>	Sales code:	<b>105G5952</b>
-------------	---------------	----------------------	----------------	-------------	-----------------

## Configuration

Motor configuration	CSIR
Power supply (nominal)	115-127V/60Hz 1~
Refrigerant	R134a
Application	LBP+MBP
Voltage range	95-135V
Starting torque	HST
Approvals	UL

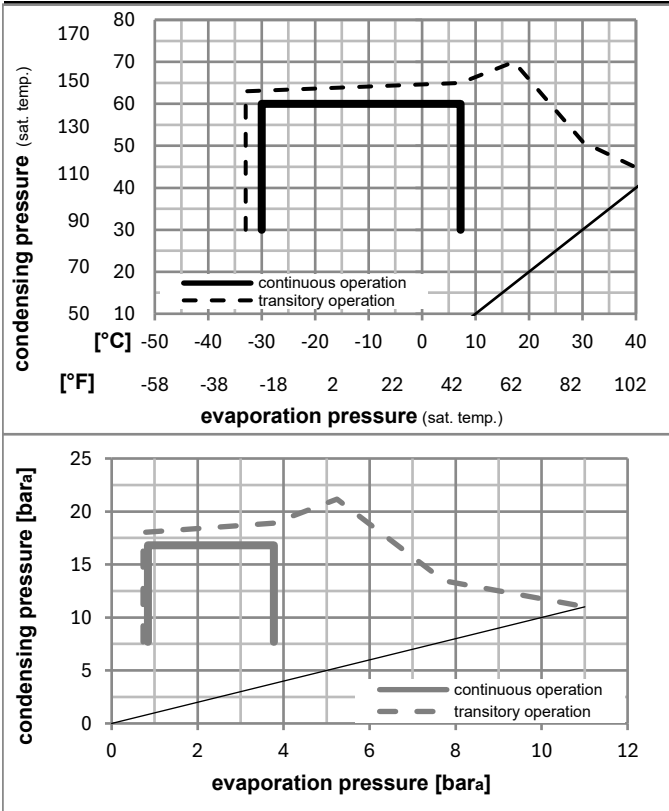
## Electrical accessories / wiring diagram



## Ambient/ machine room temperatures minimum /maximum

Ambient temperature range:	10 - 43°C / 50 - 110°F
Machine room temperature range:	10 - 48°C / 50 - 119°F
Compressor cooling:	fan 3m/s

## Operation pressure range



## Components (already pre-assembled)

a2	current relay ( MRT22AFZ-6)	117U4129
c	start capacitor (320µF)	117U5022
b	plastic cover	117U1021
d/dc	cord relief	117U0349
d/dc	cord relief	117U0349

## Model

Designation **NF10FX** **115-127V/60Hz** Conf. 1 Sales code: **105G5952**

## Optimization + standard conditions

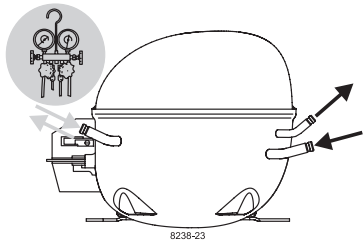
R134a, 115V/60Hz, CSIR, fan 3m/s, UL

	Evaporating pressure (saturation temperature)				Cooling capacity			COP	EER	P1	Power consumption		ASHRAE LBP
	pe	pc	RGT	Tliq	[W]	[Btu/h]	[kcal/h]				I	m	
[°C]	[°C]	[°C]	[°C]	[W]	[Btu/h]	[kcal/h]	[W/W]	[Btu/Wh]	[kcal/Wh]	[W]	[A]	[kg/h]	
[°F]	[°F]	[°F]	[°F]	[W]	[Btu/h]	[kcal/h]	[W/W]	[Btu/Wh]	[kcal/Wh]	[W]	[A]	[kg/h]	ASHRAE LBP
-23	54	32	32	306,9	1048	264,1	1,17	4,01	1,01	261,4	3,71	5,96	ASHRAE LBP
-10	130	90	90										
-25	55	32	55	226,6	774	195,0	0,91	3,09	0,78	250,4	3,64	5,42	cecomaf LBP
-13	131	90	131										
-35	40	20	40	144,9	495	124,7	0,81	2,76	0,70	179,3	3,33	3,18	EN12900 LBP
-31	104	68	104										
-7	54	35	46	626,9	2141	539,5	1,60	5,48	1,38	390,7	4,55	13,68	ASHRAE MBP
20	130	95	115										
-10	55	32	55	488,2	1667	420,2	1,34	4,58	1,15	363,8	4,37	11,81	cecomaf MBP
14	131	90	131										
-10	45	20	45	541,0	1848	465,6	1,56	5,32	1,34	347,2	4,24	12,66	EN12900 MBP
14	113	68	113										

## Performance tables

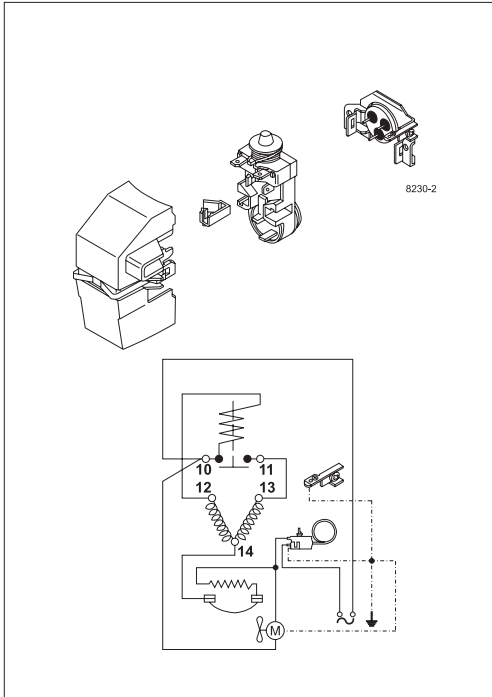
R134a, 115V/60Hz, CSIR, fan 3m/s, UL

	pe		Cooling capacity			COP	EER	P1	I	m	
	[°C]	[°F]	[W]	[Btu/h]	[kcal/h]						
[°C / °F]	-30	-22	189,5	647	163,1	0,89	3,05	0,77	212,3	3,46	4,10
cond. pressure	-23	-10	284,2	971	244,6	1,12	3,81	0,96	254,9	3,69	6,16
pc= 45/113	-15	5	441,6	1508	380,1	1,42	4,84	1,22	311,9	4,02	9,63
return gas temp.	-9	15	575,9	1967	495,6	1,64	5,60	1,41	351,1	4,26	12,61
RGT= 32/90	-4	25	737,6	2519	634,8	1,89	6,45	1,62	390,7	4,53	16,24
liquid temp	0	32	868,9	2967	747,8	2,08	7,09	1,79	418,3	4,73	19,21
Tliq= 45/113	7,2	45	1156,7	3950	995,4	2,47	8,43	2,13	468,4	5,13	25,84
[°C / °F]	-30	-22	165,4	565	142,4	0,76	2,59	0,65	218,5	3,43	3,94
cond. pressure	-23	-10	249,4	852	214,6	0,95	3,25	0,82	261,8	3,72	5,97
pc= 55/131	-15	5	385,5	1317	331,8	1,19	4,07	1,03	323,5	4,11	9,28
return gas temp	-9	15	500,7	1710	430,9	1,36	4,64	1,17	368,4	4,40	12,11
RGT= 32/90	-4	25	639,4	2184	550,3	1,54	5,26	1,32	415,6	4,72	15,56
liquid temp	0	32	752,3	2569	647,5	1,67	5,71	1,44	449,6	4,95	18,40
Tliq= 55/131	7,2	45	1000,9	3418	861,4	1,95	6,65	1,68	514,2	5,40	24,76

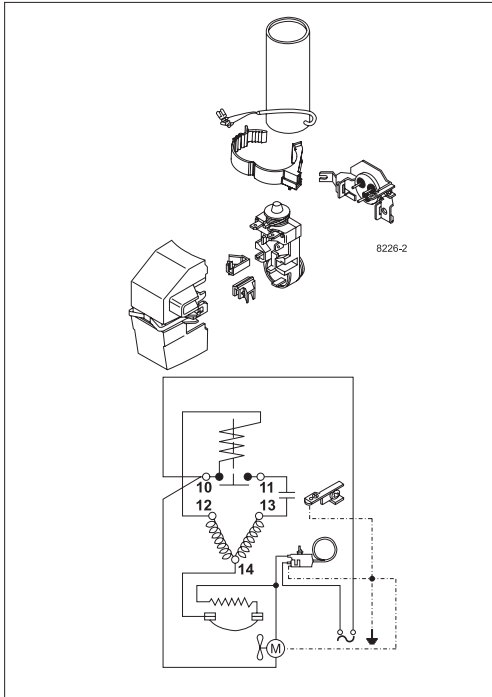


8238-23

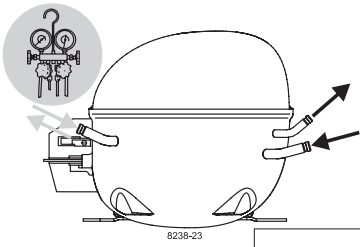
# NF Compressors



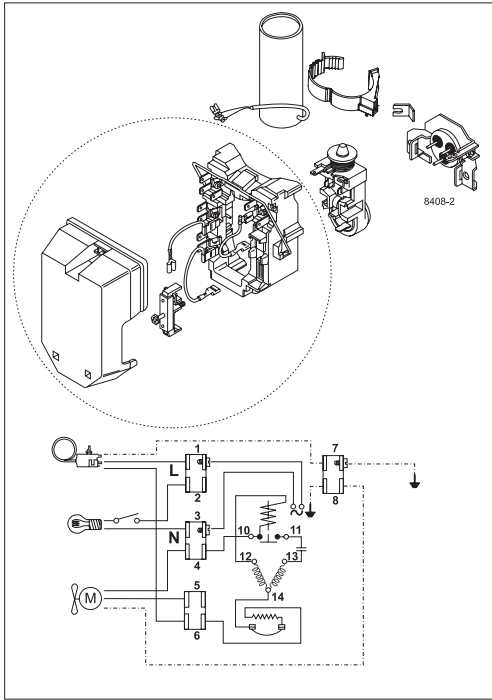
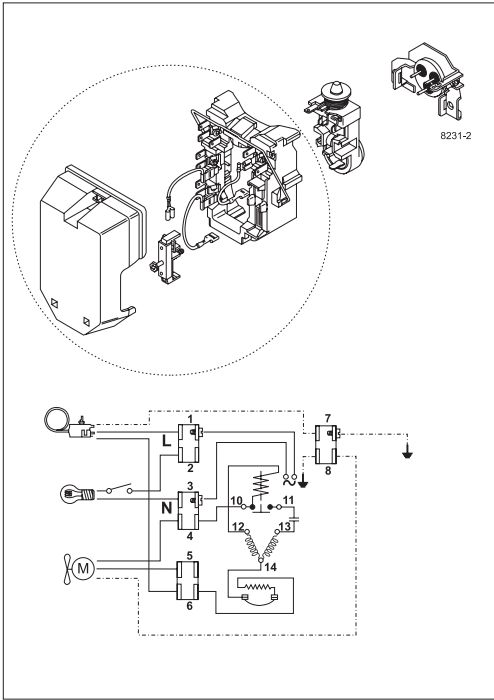
8230-2



8226-2



8238-23



Secop accepts no responsibility for possible errors in catalogs, brochures, and other printed material. Secop reserves the right to alter its products without notice. This also applies to products already on order provided that such alterations can be made without subsequential changes being necessary to specifications already agreed. All trademarks in this material are the property of the respective companies. Secop and the Secop logotype are trademarks of Secop GmbH. All rights reserved. [www.secop.com](http://www.secop.com)