

Single Pack SC21CNX.2 220-240V 50Hz CSIR

Single pack code number: **195B4091**

Position	Title	Code	Amount
1	Compressor SC21CNX.2	104H8166	1
2	Starting relay	117U7013	1
3	Starting capacitor (125 μ F 220V, 6.3mm)	117U5012	1
4	Cord relief	103N1004	1
5	Cover	103N2009	1
6	Bolt joint for one compressor M6 \varnothing 16mm	118-1917	1

Secop GmbH • Lise-Meitner-Straße 29 • 24941 Flensburg, Germany • Tel: +49 461 4941 0 • www.secop.com

Secop accepts no responsibility for possible errors in catalogs, brochures, and other printed material. Secop reserves the right to alter its products without notice. This also applies to products already on order provided that such alterations can be made without subsequent changes being necessary to specifications already agreed. All trademarks in this material are the property of the respective companies. Secop and the Secop logotype are trademarks of Secop GmbH. All rights reserved.

Model

Designation	SC21CNX.2	220-240V/50Hz 1~	Sales code:	104H8166
-------------	------------------	------------------	-------------	-----------------

Compressor design

Oil type	Polyolester	Refrigerant(s)	R290
Oil viscosity	32cST	Displacement	20,95cm ³ / 1,28cu.in
Oil quantity	550cm ³ / 18,6fl.oz	Compressors on pallet	80
Refr. charge - tech. limit	150g / 5,3oz		
Free gas volume comp.	1410cm ³ / 47,7fl.oz		
Weight	14,1kg / 31,1lbs		
Motor protection	1# internal		
Winding resistance main	3,3Ω (at 25°C)		
Winding resistance aux	16,5Ω (at 25°C)		
Max. winding temp.	125°C / 257°F		
Max. discharge temp.	130°C / 266°F		



General - Configurations with SC21CNX.2

	Conf. 1
Motorconfiguration	CSIR
Power supply (nominal)	220-240V/50Hz
Number of phases	1
Voltage range	198-254V
Approvals	VDE, CCC
Starting torque	HST
Note	- / -

Applications with SC21CNX.2

	Conf. 1
Refrigerant	R290
Application	LBP
System cooling	fan 3m/s
Hot gas defrost	OK
Long interval pull down	OK

Electrical data - Configurations with SC21CNX.2

	Conf. 1
Starting device type	relay
Run capacitor	- / -
Start capacitor	125μF
LRA (locked rotor amps / 4s)	23,5A
RLA (rated load amps / 1s)	4,5A
Cut in current	23,5A

Model

Designation

SC21CNX.2

220-240V/50Hz 1~

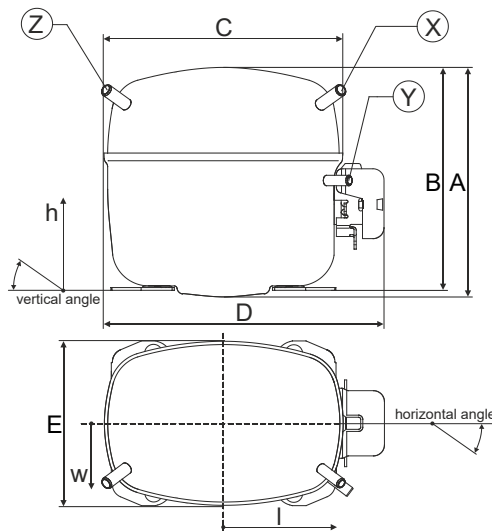
Sales code:

104H8166

Compressor dimensions

Housing	A Height	219mm / 8,62in
	B Height	213mm / 8,39in
	C Length shell	218mm / 8,58in
	D Length w. cover	255mm / 10,04in
	E Width	151mm / 5,94in

Connectors	Suction X	Discharge Y	Process Z
Diameter [mm]	øi 10,11-10,29	øi 6,11-6,29	øi 6,11-6,29
(i:inside, o:outside) [in]	øi 0,4-0,41	øi 0,24-0,25	øi 0,24-0,25
Material	copper	copper	copper
Horizontal angle ±2°	37°	37°	143°
Vertical angle ±2°	30°	0°	150°
Position l/h/w [mm]	107/193/55	115/110/63	-107/193/55
[in]	4,2/7,6/2,2	4,5/4,3/2,5	-4,2/7,6/2,2
Straight tube l. [mm]	12	12	12
[in]	0,5	0,5	0,5



Compressor fixation



Bolt joint



Snap-on



Mounting accessories

Mounting accessories	one comp.	multi pack
Bolt joint M6 ø16mm	118-1917	118-1918
Bolt joint ø1/4" ø16mm	118-1946	
Bolt joint ø1/4" ø19mm	118-1949	
Snap-on ø7,3 ø16mm	118-1947	118-1919

Application notes

Provision for PE Grounding is located at the PE Stamp on the compressor

Model

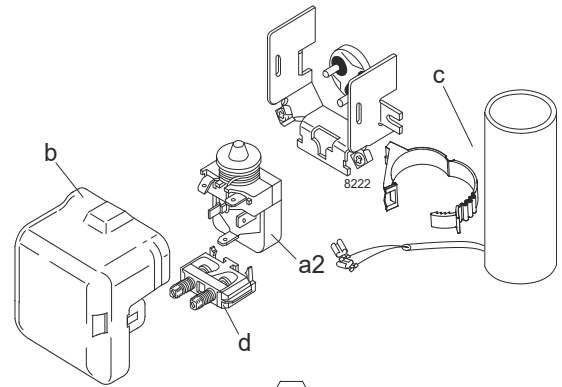
Designation	SC21CNX.2	220-240V/50Hz	Conf. 1	Sales code:	104H8166
-------------	------------------	----------------------	----------------	-------------	-----------------

Configuration

Motorconfiguration	CSIR
Power supply (nominal)	220-240V/50Hz 1~
Refrigerant	R290
Application	LBP
Voltage range	198-254V
Starting torque	HST
Approvals	VDE CCC

Electrical accessories / wiring diagram

CSIR

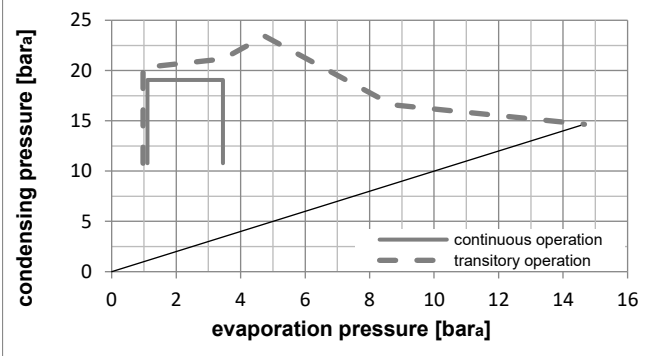
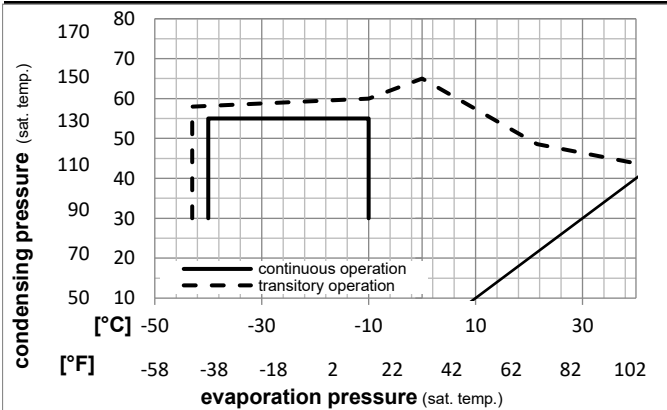


Ambient/ machine room temperatures minimum /maximum

Ambient temperature range:	10 - 43°C / 50 - 110°F
Machine room temperature range:	10 - 48°C / 50 - 119°F
Compressor cooling:	fan 3m/s

Operation Limits

Operation pressure range



Components

a2	relay	117U7013
c	start capacitor (125µF)	117U5012
d	cord relief	103N1004
b	plastic cover	103N2009

Alternative components

c	start capacitor (125µF)	117U5069
---	-------------------------	----------

Model

Designation **SC21CNX.2** **220-240V/50Hz** Conf. 1 Sales code: **104H8166**

Optimization + standard conditions

R290, 220V/50Hz, CSIR, fan 3m/s, VDE, CCC

		Evaporating pressure (saturation temperature)				Condensing pressure (saturation temperature)			Return gas temp.			Liquid temp.			Cooling capacity			COP	EER	Power consumption			
		pe	pc	RGT	Tliq	[W]	[Btu/h]	[kcal/h]	[W/W]	[Btu/Wh]	[kcal/Wh]	P1	I	Ref. mass flow									
[°C]	[°F]	[°C]	[°F]	[°C]	[°F]							[W]	[A]	[kg/h]									
-23	-10	54	130	32	90	960,5	3280	826,6	1,45	4,96	1,25	661,4	4,19	9,73								ASHRAE LBP	
-25	-13	55	131	32	90	715,7	2444	616,0	1,12	3,82	0,96	639,2	4,10	8,91								cecomaf LBP	
-35	-31	40	104	20	68	540,5	1846	465,2	1,09	3,72	0,94	495,6	3,59	6,18								EN12900 LBP	
-23	-10	49	120	4,4	40	767,9	2622	660,9	1,18	4,04	1,02	648,4	4,11	10,63								ARI540 LBP	
-23	-10	41	105	32	90	1008,0	3443	867,5	1,57	5,36	1,35	642,8	4,01	10,21								AHAM LBP	
-35	-31	45	113	32	90	491,9	1680	423,4	1,00	3,42	0,86	491,2	3,58	5,51								opt	

Performance tables

R290, 220V/50Hz, CSIR, fan 3m/s, VDE, CCC

	pe		Cooling capacity			COP	EER	P1	I	m	
	[°C]	[°F]	[W]	[Btu/h]	[kcal/h]	[W/W]	[Btu/Wh]	[kcal/Wh]	[W]	[A]	[kg/h]
[°C / °F]	-40	-40	338,6	1156	291,4	0,78	2,68	0,68	431,4	3,43	3,79
cond. pressure	-35	-31	491,9	1680	423,4	1,00	3,42	0,86	491,2	3,58	5,51
pc= 45/113	-30	-22	653,8	2233	562,6	1,18	4,02	1,01	554,9	3,76	7,35
return gas temp.	-25	-13	828,3	2829	712,9	1,33	4,54	1,14	622,9	3,98	9,34
RGT= 32/90	-20	-4	1019,8	3483	877,7	1,47	5,01	1,26	695,3	4,23	11,55
liquid temp	-15	5	1232,6	4209	1060,8	1,60	5,45	1,37	772,5	4,52	14,02
Tliq= 45/113	-10	14	1470,7	5023	1265,7	1,72	5,88	1,48	854,6	4,84	16,83
[°C / °F]	-40	-40	219,1	748	188,6	0,47	1,62	0,41	462,4	3,39	2,70
cond. pressure	-35	-31	372,3	1271	320,4	0,73	2,48	0,63	512,3	3,59	4,60
pc= 55/131	-30	-22	536,4	1832	461,7	0,94	3,21	0,81	571,2	3,83	6,65
return gas temp	-25	-13	715,7	2444	616,0	1,12	3,82	0,96	639,2	4,10	8,91
RGT= 32/90	-20	-4	914,4	3123	786,9	1,28	4,36	1,10	716,6	4,41	11,44
liquid temp	-15	5	1136,7	3882	978,2	1,41	4,83	1,22	803,7	4,75	14,29
Tliq= 55/131	-10	14	1386,8	4736	1193,5	1,54	5,26	1,33	900,6	5,13	17,54



SC Compressors





SC Compressors

Service/Repair – R290



8545



Secop accepts no responsibility for possible errors in catalogs, brochures, and other printed material. Secop reserves the right to alter its products without notice. This also applies to products already on order provided that such alterations can be made without subsequent changes being necessary to specifications already agreed. All trademarks in this material are the property of the respective companies. Secop and the Secop logotype are trademarks of Secop GmbH. All rights reserved. www.secop.com