

## Single Pack FF10GX 115V 60Hz CSIR

Single pack code number: **195B4111**

Position	Title	Code	Amount
1	Compressor FF10GX	103G5980	1
2	Starting relay (overload protector MRP30AEN-6, T0772/06)	117U4061	1
3	Starting capacitor (320 $\mu$ F 125V, 6.3mm)	117U5040	1
4	Cord relief	117U0349	2
5	Cover	117U1021	1
6	Bolt joint for one compressor   M6   $\varnothing$ 16mm	118-1917	1

Secop GmbH • Lise-Meitner-Straße 29 • 24941 Flensburg, Germany • Tel: +49 461 4941 0 • [www.secop.com](http://www.secop.com)

Secop accepts no responsibility for possible errors in catalogs, brochures, and other printed material. Secop reserves the right to alter its products without notice. This also applies to products already on order provided that such alterations can be made without subsequent changes being necessary to specifications already agreed. All trademarks in this material are the property of the respective companies. Secop and the Secop logotype are trademarks of Secop GmbH. All rights reserved.

## FF10GX Universal Compressor R134a 115V 60Hz

### General

Code number	103G5980
Approvals	UL984
Compressors on pallet	80

### Application

Application	LBP/HBP			
Frequency	Hz	50	60	
Evaporating temperature	°F	-	-22 to 50	
Voltage range	V	-	103 - 127	
Max. condensing temperature continuous (short)	°F	-	140 (158)	
Max. winding temperature continuous (short)	°F	-	257 (275)	

### Cooling requirements

Frequency	Hz	50			60		
Application		LBP	MBP	HBP	LBP	MBP	HBP
90°F		-	-	-	F <sub>1</sub>	F <sub>1</sub>	F <sub>1</sub>
100°F		-	-	-	F <sub>1</sub>	F <sub>1</sub>	F <sub>1</sub>
110°F		-	-	-	F <sub>1</sub>	F <sub>1</sub>	F <sub>1</sub>
Remarks on application:							

### Motor

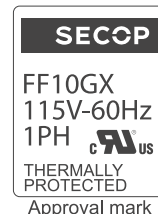
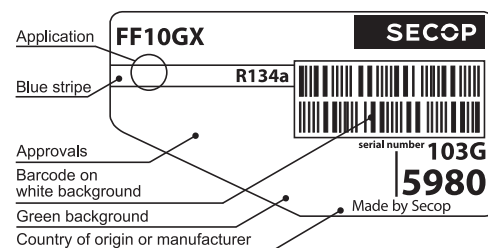
Motor type	CSIR		
LRA (rated after 4 sec. UL984), HST   LST	A	29.9	-
Cut in Current, HST   LST	A	29.9	-
Resistance, main   start winding (77°F)	Ω	1.7	5.4

### Design

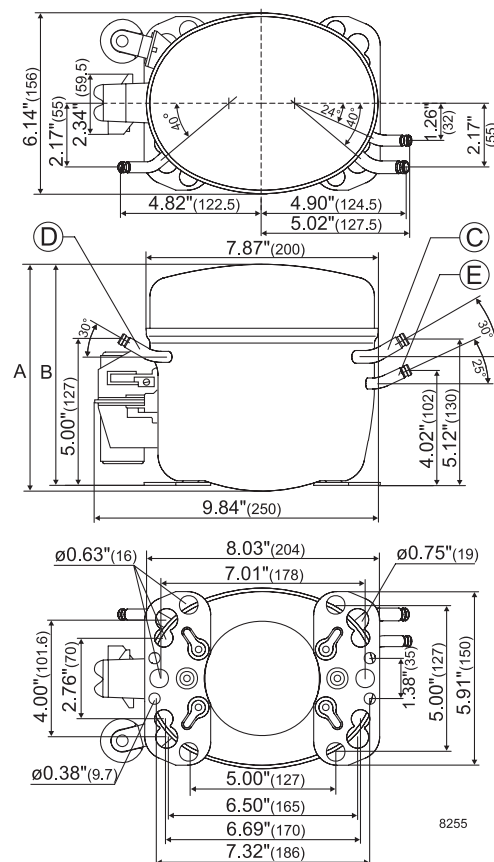
Displacement	cu.in	0.55
Oil quantity (type)	fl.oz.	13.5 (polyolester)
Maximum refrigerant charge	oz.	32.0
Free gas volume in compressor	fl.oz.	47.3
Weight without electrical equipment	lbs.	23.3

### Dimensions

Height	inch	A	7.72
		B	7.52
		B1	-
		B2	-
Suction connector	location, I.D. in.   angle	C	0.320-0.327   30°
	material   comment		Cu-plated steel   Al cap
Process connector	location, I.D. in.   angle	D	0.252-0.259   30°
	material   comment		Cu-plated steel   Al cap
Discharge connector	location, I.D. in.   angle	E	0.252-0.259   25°
	material   comment		Cu-plated steel   Al cap
Oil cooler connector	location, I.D. in.   angle	F	-
	material   comment		-
Remarks:			



- S = Static cooling normally sufficient
- O = Oil cooling
- F<sub>1</sub> = Fan cooling 1.5 m/s  
(compressor compartment temperature equal to ambient temperature)
- F<sub>2</sub> = Fan cooling 3.0 m/s necessary
- SG = Suction gas cooling normally sufficient
- = not applicable in this area



**ASHRAE LBP**

115V, 60Hz, fan cooling F<sub>1</sub>

Evap. temp. in °F	-49	-40	-30	-20	-13	-10	0	10	14	20	30	32	40	45	50	59	68
Capacity in BTU/h				474	635	716	1041	1450	1643	1945	2526	2656	3194	3562	3953		
Power cons. in W				191	220	232	274	316	333	359	402	411	446	468	491		
Current cons. in A				3.50	3.61	3.66	3.86	4.10	4.21	4.37	4.67	4.73	5.00	5.17	5.34		
EER in BTU/Wh				2.48	2.89	3.09	3.80	4.59	4.94	5.42	6.28	6.48	7.16	7.61	8.06		

**ASHRAE HBP**

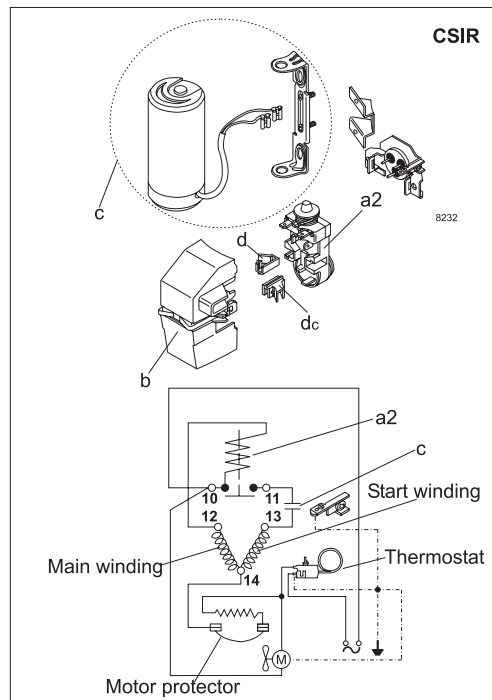
115V, 60Hz, fan cooling F<sub>1</sub>

Evap. temp. in °F	-49	-40	-30	-20	-13	-10	0	10	14	20	30	32	40	45	50	59	68
Capacity in BTU/h				420	563	635	923	1285	1462	1721	2234	2363	2823	3147	3490		
Power cons. in W				191	220	232	274	316	333	359	402	411	446	468	491		
Current cons. in A				3.50	3.61	3.66	3.86	4.10	4.21	4.37	4.67	4.73	5.00	5.17	5.34		
EER in BTU/Wh				2.20	2.56	2.74	3.37	4.06	4.40	4.80	5.55	5.76	6.33	6.72	7.11		

**EN 12900 Household (CECOMAF)**

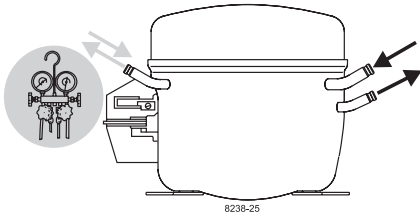
115V, 60Hz, fan cooling F<sub>1</sub>

Evap. temp. in °F	-49	-40	-30	-20	-13	-10	0	10	14	20	30	32	40	45	50	59	68
Capacity in W				113	152	171	249	346	386	464	602	635	760	847	939		
Power cons. in W				191	220	232	274	316	333	359	402	411	446	468	491		
Current cons. in A				3.50	3.61	3.66	3.86	4.10	4.20	4.37	4.67	4.73	5.00	5.17	5.34		
COP in W/W				0.59	0.69	0.74	0.91	1.10	1.16	1.29	1.50	1.52	1.70	1.81	1.91		

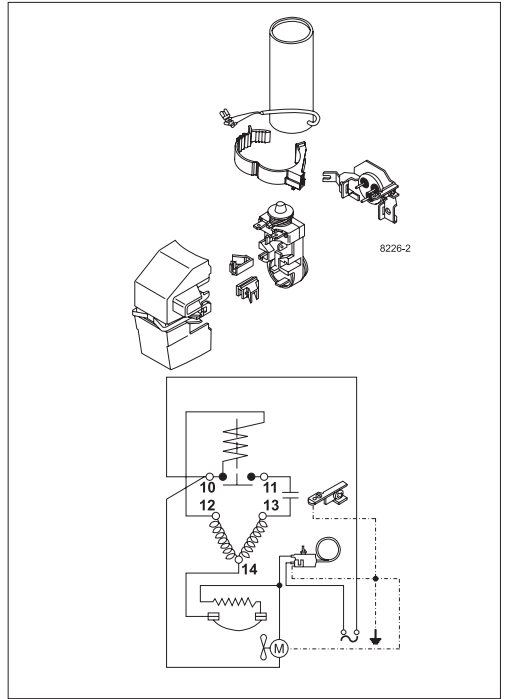
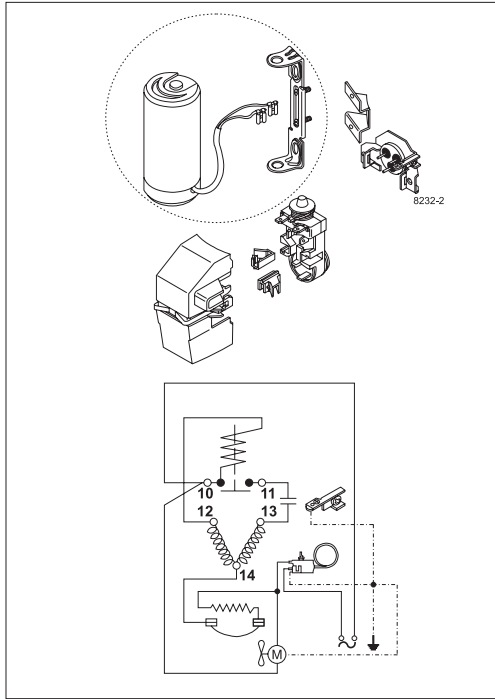
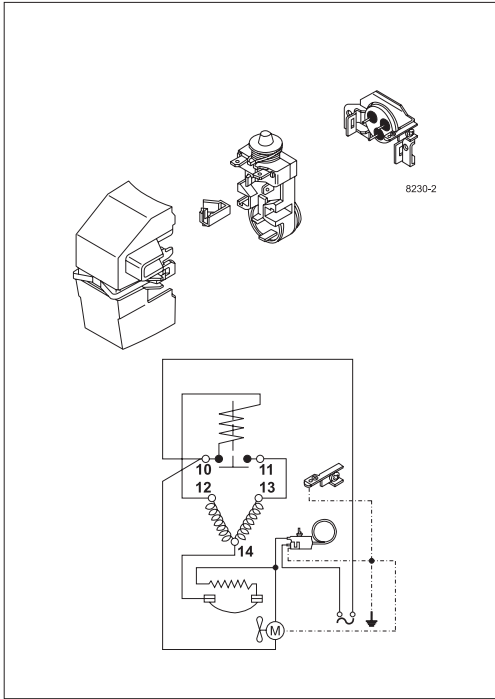


Accessories for	FF10GX	Figure	Code number	Test conditions	ASHRAE LBP	ASHRAE HBP	EN 12900/CECOMAF
Starting relay	1/4 in. spade connect.	a2	117U4061	Condensing temp.	130°F	130°F	131°F
Protector 3/4 in.	Texas Instruments		MRP30AEN-6	Ambient temp.	90°F	95°F	90°F
Protector 3/4 in.	Electrica		T 0772/06	Suction gas temp.	90°F	95°F	90°F
Cover		b	117U1021	Liquid temperature	90°F	115°F	131°F
Start. capacitor 320 µF	1/4 in. spade connect.	c	117U5040	<b>Mounting accessories</b>			
Cord relief		d	117U0349	<b>Code number</b>			
Cord relief for capacitor		dc	117U0349	Bolt joint for one comp.	Ø: 5/8 in.	118-1917	
				Bolt joint in quantities	Ø: 5/8 in.	118-1918	
				Snap-on in quantities	Ø: 5/8 in.	118-1919	

Secop accepts no responsibility for possible errors in catalogs, brochures, and other printed material. Secop reserves the right to alter its products without notice. This also applies to products already on order provided that such alterations can be made without consequential changes being necessary to specifications already agreed. All trademarks in this material are the property of the respective companies. Secop and the Secop logotype are trademarks of Secop GmbH. All rights reserved. [www.secop.com](http://www.secop.com)



# FF Compressors





# FF Compressors



8238-25



Secop accepts no responsibility for possible errors in catalogs, brochures, and other printed material. Secop reserves the right to alter its products without notice. This also applies to products already on order provided that such alterations can be made without subsequential changes being necessary to specifications already agreed. All trademarks in this material are the property of the respective companies. Secop and the Secop logotype are trademarks of Secop GmbH. All rights reserved. [www.secop.com](http://www.secop.com)