

## Single Pack SC18MLX 208-230V 60Hz CSCR

Single pack code number: **195B4208**

Position	Title	Code	Amount
1	Compressor SC18MLX	104L2138	1
2	SC starting device (550mm)	117-7066	1
3	Cord relief	103N1004	1
4	Cover	103N2008	1
5	Bolt joint for one compressor   M6   ø16mm	118-1917	1

**Secop GmbH** • Lise-Meitner-Straße 29 • 24941 Flensburg, Germany • Tel: +49 461 4941 0 • [www.secop.com](http://www.secop.com)

Secop accepts no responsibility for possible errors in catalogs, brochures, and other printed material. Secop reserves the right to alter its products without notice. This also applies to products already on order provided that such alterations can be made without subsequent changes being necessary to specifications already agreed. All trademarks in this material are the property of the respective companies. Secop and the Secop logotype are trademarks of Secop GmbH. All rights reserved.

**Model**

Designation	<b>SC18MLX</b>	<b>208-230V/60Hz 1~</b>	Sales code:	<b>104L2138</b>
-------------	----------------	-------------------------	-------------	-----------------

**Compressor design**

Oil type	Polyolester	Refrigerant(s)	<b>R404A, R507</b>
Oil viscosity	32cST	Displacement	17,69cm <sup>3</sup> / 1,08cu.in
Oil quantity	550cm <sup>3</sup> / 18,6fl.oz	Compressors on pallet	80
Refr. charge - tech. limit	1300g / 45,9oz		
Free gas volume comp.	1460cm <sup>3</sup> / 49,4fl.oz		
Weight	14kg / 30,9lbs		
Motor protection	1# internal		
Winding resistance main	2,2Ω (at 25°C)		
Winding resistance aux	6,4Ω (at 25°C)		
Max. winding temp.	125°C / 257°F		
Max. discharge temp.	130°C / 266°F		



**General - Configurations with SC18MLX**

	<b>Conf. 1</b>
Motorconfiguration	CSCR
Power supply (nominal)	208-230V/60Hz
Number of phases	1
Voltage range	187-254V
Approvals	UL, KC
Starting torque	HST
Note	LRA value on compressor label and datasheet may differ due to different test conditions for UL approval.

**Applications with SC18MLX**

	<b>Conf. 1</b>
Refrigerant	R404A
Application	MBP
System cooling	fan 3m/s
Hot gas defrost	OK
Long interval pull down	OK

**Electrical data - Configurations with SC18MLX**

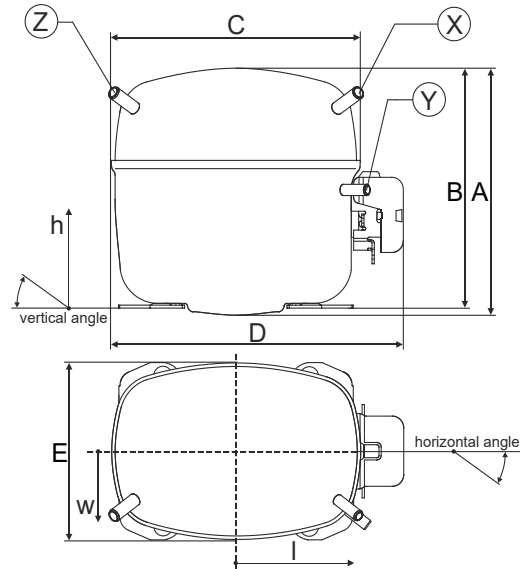
	<b>Conf. 1</b>
Starting device type	relay
Run capacitor	10μF
Start capacitor	80μF
LRA (locked rotor amps / 4s)	32A
RLA (rated load amps / 1s)	6,2A
Cut in current	32A

**Model**

Designation	<b>SC18MLX</b>	<b>208-230V/60Hz 1~</b>	Sales code:	<b>104L2138</b>
-------------	----------------	-------------------------	-------------	-----------------

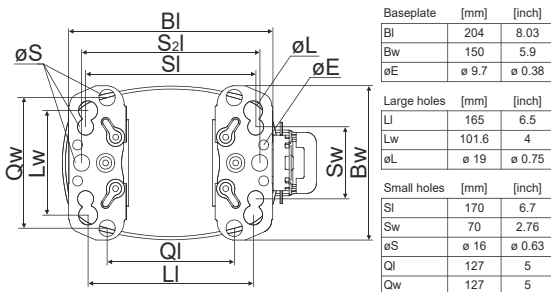
**Compressor dimensions**

<b>Housing</b>	A Height	219mm / 8,62in
	B Height	213mm / 8,39in
	C Length shell	218mm / 8,58in
	D Length w. cover	255mm / 10,04in
	E Width	151mm / 5,94in

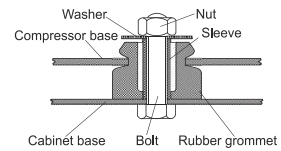


<b>Connectors</b>		<b>Suction</b>	<b>Discharge</b>	<b>Process</b>
		<b>X</b>	<b>Y</b>	<b>Z</b>
Diameter	[mm]	øi 9,54-9,72	øi 6,41-6,59	øi 6,41-6,59
	(i:inside, o:outside) [in]	øi 0,38-0,38	øi 0,25-0,26	øi 0,25-0,26
Material		copper	copper	copper
Horizontal angle	±2°	37°	37°	143°
Vertical angle	±2°	30°	0°	150°
Position l/h/w	[mm]	107/193/55	115/110/63	-107/193/55
	[in]	4,2/7,6/2,2	4,5/4,3/2,5	-4,2/7,6/2,2
Straight tube l.	[mm]	12	12	12
	[in]	0,5	0,5	0,5

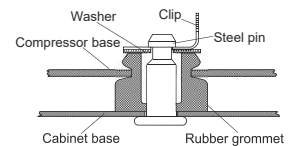
**Compressor fixation**



**Bolt joint**



**Snap-on**



<b>Mounting accessories</b>	one comp.	multi pack
Bolt joint   M6   ø16mm	118-1917	118-1918
Bolt joint   ø1/4"   ø16mm	118-1946	
Bolt joint   ø1/4"   ø19mm	118-1949	
Snap-on   ø7,3   ø16mm	118-1947	118-1919

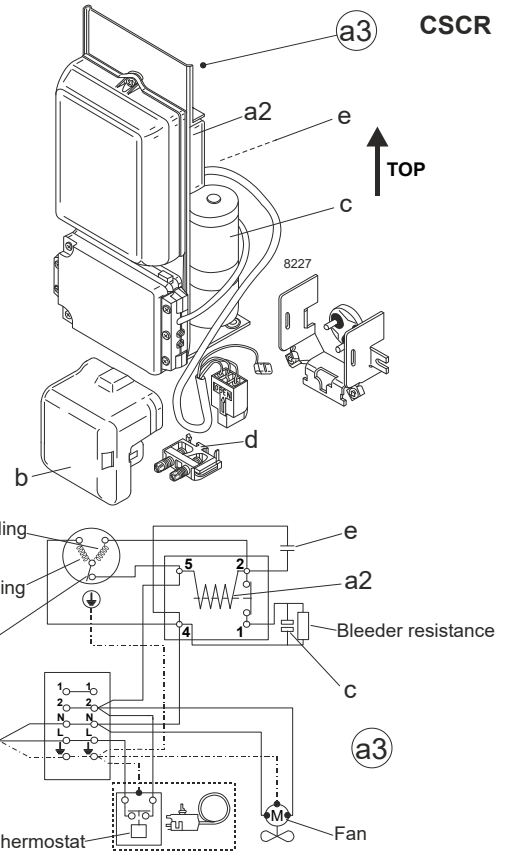
**Model**

Designation	<b>SC18MLX</b>	<b>208-230V/60Hz</b>	<b>Conf. 1</b>	Sales code:	<b>104L2138</b>
-------------	----------------	----------------------	----------------	-------------	-----------------

**Configuration**

Motorconfiguration	CSCR
Power supply (nominal)	208-230V/60Hz 1~
Refrigerant	R404A
Application	MBP
Voltage range	187-254V
Starting torque	HST
Approvals	UL KC

**Electrical accessories / wiring diagram**

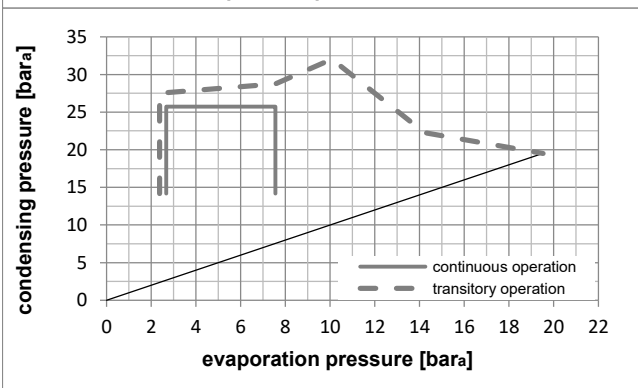
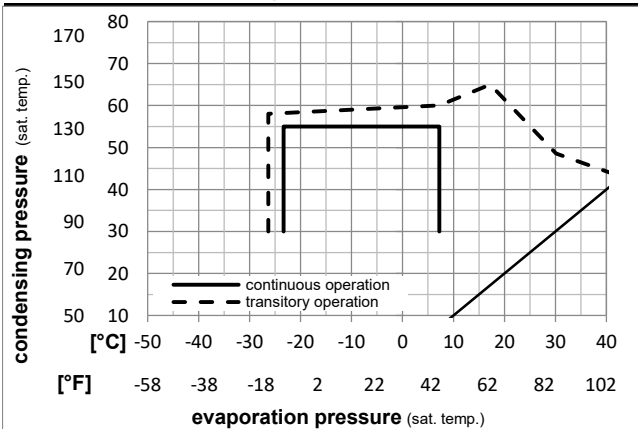


**Ambient temperatures / system cooling**

Ambient temperature min.:	10°C / 50°F
Ambient temperature max.:	43°C / 110°F

System cooling (n/a: outside limits)			
T ambient	LBP	MBP	HBP
32°C / 90°F	n/a	fan 3m/s	n/a
38°C / 100°F	n/a	fan 3m/s	n/a
43°C / 110°F	n/a	fan 3m/s	n/a

**Operation pressure range**



**Components**

a3	SC starter kit	117-7066
b	plastic cover	103N2009
d	cord relief	103N1004

**Alternative components**

a2	potential relay (RVA 2GR134)	117-7445
e	run capacitor (10μF, 6.3mm)	117-7121
c	start capacitor (80μF)	117U5373
b	plastic cover	103N2009
d	cord relief	103N1004

**Model**

Designation **SC18MLX 208-230V/60Hz** Conf. 1 Sales code: **104L2138**

**Optimization + standard conditions**

R404A, 230V/60Hz, CSCR, fan 3m/s, UL, KC

Evaporating pressure (saturation temperature)					Condensing pressure (saturation temperature)					Power consumption				
					Return gas temp.					Current consumption				
					Liquid temp.					Ref. mass flow				
					Cooling capacity					COP EER				
					P1					I m				
	pe	pc	RGT	Tliq	[W]	[Btu/h]	[kcal/h]	[W/W]	[Btu/Wh]	[kcal/Wh]	[W]	[A]	[kg/h]	
[°C]	-6,66	54,4	35	46,1	1868,1	6380	1607,7	1,47	5,03	1,27	1268,3	6,71	51,40	ASHRAE MBP
[°F]	20	130	95	115										
[°C]	-10	55	32	55	1392,8	4757	1198,7	1,17	3,98	1,00	1193,7	6,43	44,59	cecomaf MBP
[°F]	14	131	89,6	131										
[°C]	-10	45	20	45	1631,9	5573	1404,4	1,44	4,93	1,24	1131,2	6,21	49,15	EN12900 MBP
[°F]	14	113	68	113										
[°C]	-6,66	48,9	18,3	48,9	1697,4	5797	1460,8	1,39	4,73	1,19	1224,2	6,55	55,46	ARI540 MBP
[°F]	20	120	65	120										
[°C]	-10	45	32	45	1731,9	5915	1490,5	1,53	5,23	1,32	1131,2	6,21	47,69	opt
[°F]	14	113	89,6	113										
[°C]	-25	45	32	45	913,7	3120	786,3	1,06	3,63	0,91	859,8	5,34	24,65	opt
[°F]	-13	113	89,6	113										

**Performance tables**

R404A, 230V/60Hz, CSCR, fan 3m/s, UL, KC

	pe	Cooling capacity			COP			EER			P1	I	m
	[°C]	[°F]	[W]	[Btu/h]	[kcal/h]	[W/W]	[Btu/Wh]	[kcal/Wh]	[W]	[A]	[kg/h]		
[°C / °F]	-25	-13	913,7	3120	786,3	1,06	3,63	0,91	859,8	5,34	24,65		
cond. pressure	-23,3	-10	984,6	3363	847,4	1,11	3,78	0,95	889,6	5,42	26,61		
pc= 45/113	-15	5	1411,6	4821	1214,8	1,36	4,64	1,17	1039,3	5,88	38,56		
return gas temp.	-9,4	15	1770,7	6047	1523,9	1,55	5,30	1,33	1141,6	6,24	48,81		
RGT= 32/90	-3,9	25	2196,9	7503	1890,6	1,76	6,01	1,52	1247,6	6,65	61,22		
liquid temp	0	32	2538,5	8669	2184,6	1,92	6,54	1,65	1324,9	6,96	71,36		
Tliq= 45/113	7,2	45	3275,7	11187	2819,1	2,22	7,57	1,91	1477,2	7,58	93,94		
[°C / °F]	-25	-13	701,6	2396	603,8	0,84	2,87	0,72	835,8	5,30	21,93		
cond. pressure	-23,3	-10	761,4	2600	655,3	0,87	2,97	0,75	876,4	5,41	23,85		
pc= 55/131	-15	5	1121,6	3831	965,3	1,04	3,56	0,90	1075,5	6,02	35,57		
return gas temp	-9,4	15	1425,7	4869	1227,0	1,18	4,03	1,02	1206,8	6,48	45,69		
RGT= 32/90	-3,9	25	1788,4	6108	1539,1	1,34	4,56	1,15	1338,7	6,98	58,04		
liquid temp	0	32	2080,5	7105	1790,5	1,45	4,96	1,25	1432,2	7,35	68,23		
Tliq= 55/131	7,2	45	2715,0	9272	2336,6	1,69	5,76	1,45	1610,4	8,10	91,12		



# SC Compressors





# SC Compressors

## Service/Repair – R290



8545



Secop accepts no responsibility for possible errors in catalogs, brochures, and other printed material. Secop reserves the right to alter its products without notice. This also applies to products already on order provided that such alterations can be made without subsequent changes being necessary to specifications already agreed. All trademarks in this material are the property of the respective companies. Secop and the Secop logotype are trademarks of Secop GmbH. All rights reserved. [www.secop.com](http://www.secop.com)