

Single Packs

SECOP

Single Pack SLV15CNK.2 220-240V 50Hz / 208-230V 60Hz PM

Single pack code number: **195B4351**

Position	Title	Code	Amount
1	Compressor SLV15CNK.2	104H8541	1
2	Cover	103N2008	1
3	Bolt joint for one compressor M6 ø16mm	118-1917	1

Secop GmbH • Lise-Meitner-Straße 29 • 24941 Flensburg, Germany • Tel: +49 461 4941 0 • www.secop.com

Secop accepts no responsibility for possible errors in catalogs, brochures, and other printed material. Secop reserves the right to alter its products without notice. This also applies to products already on order provided that such alterations can be made without subsequent changes being necessary to specifications already agreed. All trademarks in this material are the property of the respective companies. Secop and the Secop logotype are trademarks of Secop GmbH. All rights reserved.

2,000 rpm EN 12900 Household (CECOMAF)* 220V, 50Hz, fan cooling F₂

Evap. temp. in °C	-45	-40	-35	-30	-25	-23.3	-20	-15	-10	-6.7	-5	0	5	7.2	10	15	20
Capacity in W		175	236	311	402	437	510	638	786								
Power cons. in W		192	229	266	303	315	338	372	402								
Current cons. in A		1.01	1.19	1.37	1.54	1.60	1.70	1.86	2.01								
COP in W/W		0.91	1.03	1.17	1.33	1.39	1.51	1.72	1.96								

2,500 rpm EN 12900 Household (CECOMAF)* 220V, 50Hz, fan cooling F₂

Evap. temp. in °C	-45	-40	-35	-30	-25	-23.3	-20	-15	-10	-6.7	-5	0	5	7.2	10	15	20
Capacity in W		218	297	393	509	553	645	805	990								
Power cons. in W		242	284	327	371	385	414	455	493								
Current cons. in A		1.18	1.39	1.60	1.80	1.87	2.01	2.22	2.42								
COP in W/W		0.90	1.05	1.20	1.37	1.43	1.56	1.77	2.01								

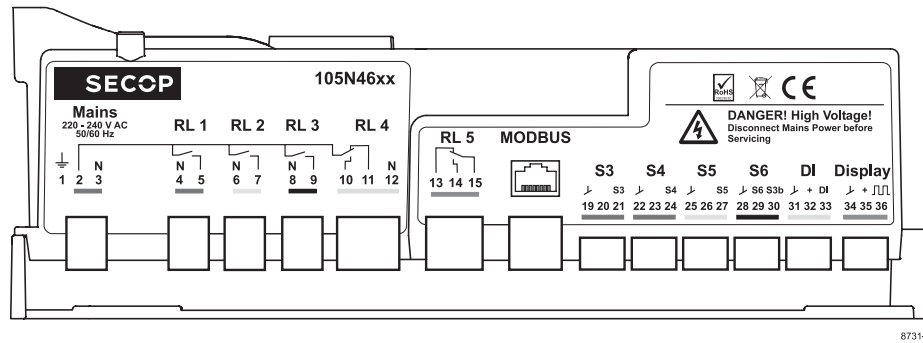
3,000 rpm EN 12900 Household (CECOMAF)* 220V, 50Hz, fan cooling F₂

Evap. temp. in °C	-45	-40	-35	-30	-25	-23.3	-20	-15	-10	-6.7	-5	0	5	7.2	10	15	20
Capacity in W		258	353	467	602	652	759	941	1151								
Power cons. in W		271	331	388	441	458	489	533	571								
Current cons. in A		1.34	1.57	1.80	2.03	2.11	2.26	2.50	2.73								
COP in W/W		0.95	1.07	1.21	1.37	1.43	1.55	1.77	2.02								

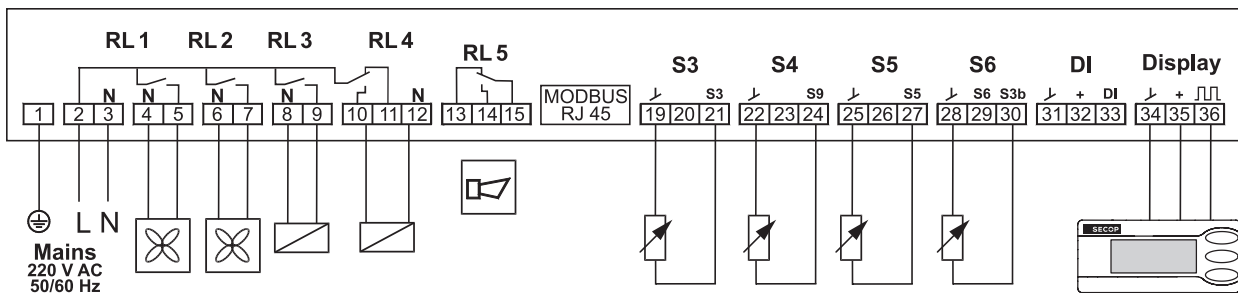
4,000 rpm EN 12900 Household (CECOMAF)* 220V, 50Hz, fan cooling F₂

Evap. temp. in °C	-45	-40	-35	-30	-25	-23.3	-20	-15	-10	-6.7	-5	0	5	7.2	10	15	20
Capacity in W		325	460	615	792	858	996	1228	1494								
Power cons. in W		355	436	512	583	607	650	713	771								
Current cons. in A		1.68	2.02	2.36	2.68	2.78	2.99	3.28	3.56								
COP in W/W		0.92	1.06	1.20	1.36	1.42	1.53	1.72	1.94								

Terminal Area 105N46xx Series Controller



- Mains red
- RL 1 blue
- RL 2 yellow
- RL 3 black
- RL 4 grey
- RL 5 green
- S3 red
- S4 blue
- S5 yellow
- S6 black
- DI grey
- Display green



Accessories for	SLV15CNK.2	Code number
Cover		103N2008
Mounting accessories		Code number
Bolt joint for one compressor	Ø: 16 mm	118-1917
Bolt joint in quantities	Ø: 16 mm	118-1918
Snap-on in quantities	Ø: 16 mm	118-1919

Test conditions	EN 12900/CECOMAF*
Condensing temperature	45°C
Ambient temperature	32°C
Suction gas temperature	32°C
Liquid temperature	no subcooling

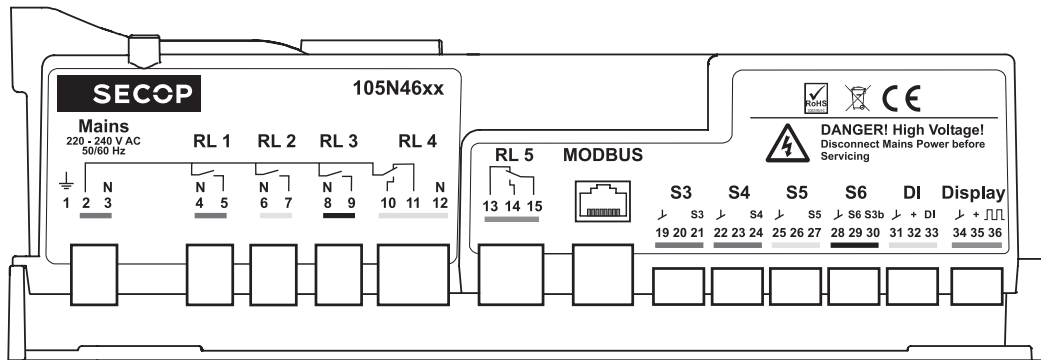
Secop accepts no responsibility for possible errors in catalogs, brochures, and other printed material. Secop reserves the right to alter its products without notice. This also applies to products already on order provided that such alterations can be made without subsequential changes being necessary to specifications already agreed. All trademarks in this material are the property of the respective companies. Secop and the Secop logotype are trademarks of Secop GmbH. All rights reserved. www.secop.com



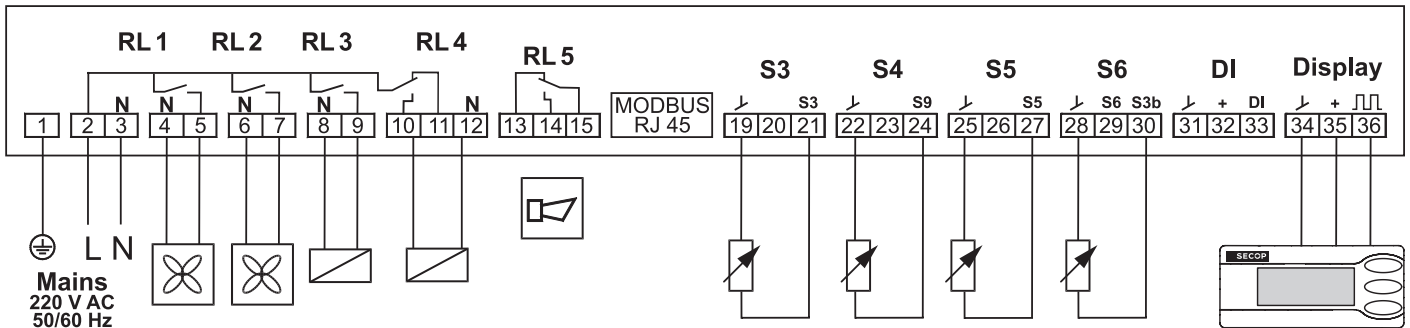
Instructions

SLV Compressors
220-240V 50/60Hz
105N46xx
Series Controllers

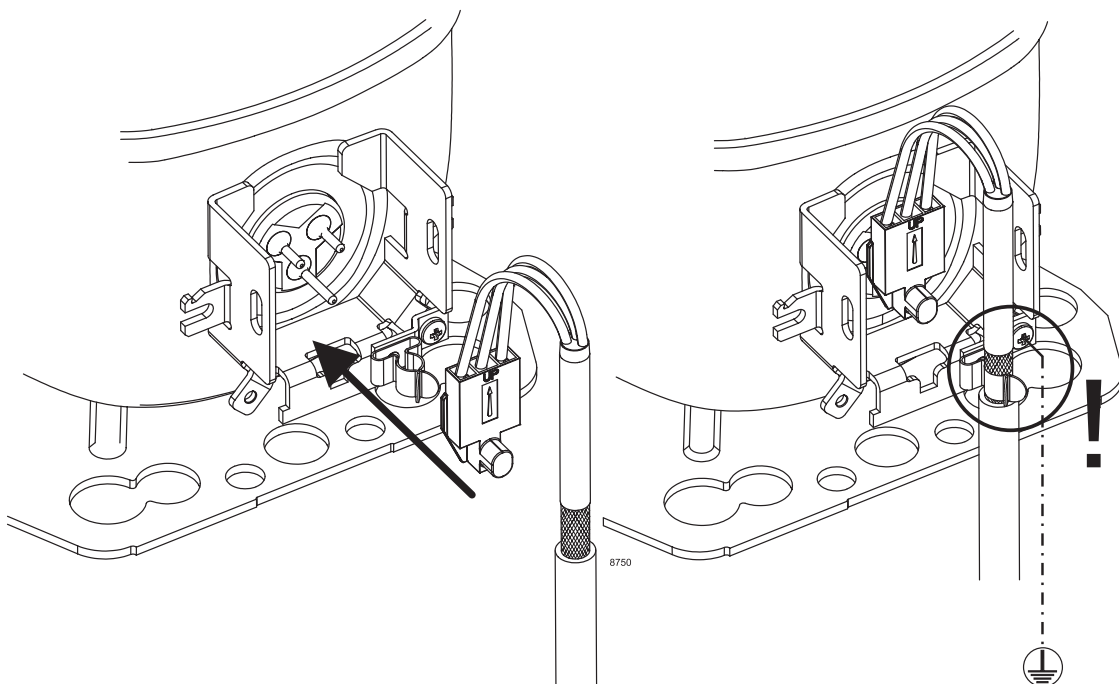
SECCP

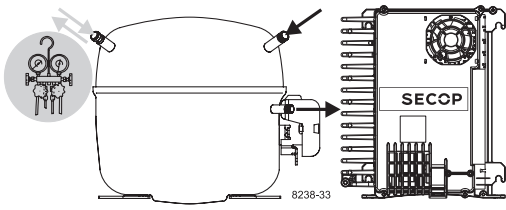


8731-3



Mains	red	S3	red
RL 1	blue	S4	blue
RL 2	yellow	S5	yellow
RL 3	black	S6	black
RL 4	grey	DI	grey
RL 5	green	Display	green





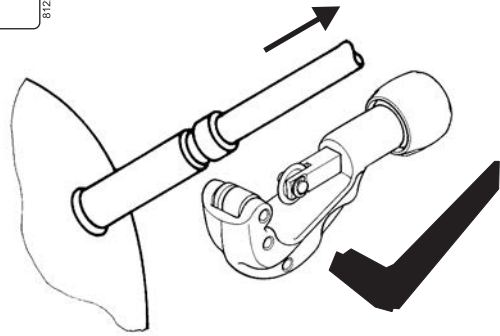
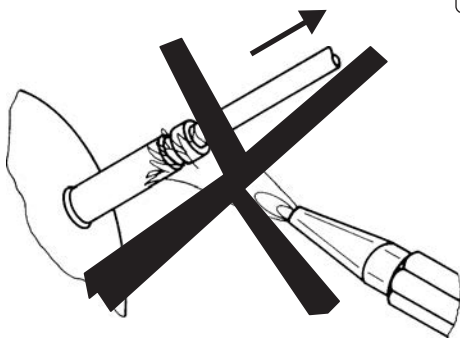
Instructions

SLV Compressors
220-240V 50/60Hz
105N46xx
Series Controllers

SECCP



Service/Repair – R290



8545

min. 3 m/s !



Airflow	3 m/s
Operating conditions	-10 °C to 43 °C - humidity < 90 % rH non condensing
Operating conditions 105N4630	+ 5 °C to 43 °C - humidity < 90 % rH non condensing
Storage conditions	-20 °C to 70 °C - humidity < 90 % rH non condensing
Supply voltage	230 V (+15 % / - 20 %)
Frequency	50/60 Hz
Input power rating	1000 W at 230 V (+15 % / - 20 %)

Secop accepts no responsibility for possible errors in catalogs, brochures, and other printed material. Secop reserves the right to alter its products without notice. This also applies to products already on order provided that such alterations can be made without subsequent changes being necessary to specifications already agreed. All trademarks in this material are the property of the respective companies. Secop and the Secop logotype are trademarks of Secop GmbH. All rights reserved. www.secop.com