

Single Pack NL6.1MF 220-240V 50Hz / 208-230V 60Hz RSIR

Single pack code number: **195B4482**

| Position | Title | Code | Amount |
|----------|--|----------|--------|
| 1 | Compressor NL6.1MF | 105G6660 | 1 |
| 2 | PTC starting device (220V, 250hm, 6.3mm) | 103N0011 | 1 |
| 3 | Protection screen for PTC | 103N0476 | 1 |
| 4 | Cord relief | 103N1010 | 1 |
| 5 | Cover | 103N2011 | 1 |
| 6 | Bolt joint for one compressor M6 ø16mm | 118-1917 | 1 |

Secop GmbH • Lise-Meitner-Straße 29 • 24941 Flensburg, Germany • Tel: +49 461 4941 0 • www.secop.com

Secop accepts no responsibility for possible errors in catalogs, brochures, and other printed material. Secop reserves the right to alter its products without notice. This also applies to products already on order provided that such alterations can be made without subsequent changes being necessary to specifications already agreed. All trademarks in this material are the property of the respective companies. Secop and the Secop logotype are trademarks of Secop GmbH. All rights reserved.

Model

| | | | | |
|-------------|----------------|-----------------------------------|-------------|-----------------|
| Designation | NL6.1MF | 220-240V/50Hz 1~ 208-230V/60Hz 1~ | Sales code: | 105G6660 |
|-------------|----------------|-----------------------------------|-------------|-----------------|

Compressor design

| | | | |
|----------------------------|---------------------------------|-----------------------|---------------------------------|
| Oil type | Polyolester | Refrigerant(s) | R134a, R513A |
| Oil viscosity | 19,2cST | Displacement | 6,13cm ³ / 0,37cu.in |
| Oil quantity | 270cm ³ / 9,1fl.oz | Compressors on pallet | 80 |
| Refr. charge - tech. limit | 600g / 21,2oz | | |
| Free gas volume comp. | 2360cm ³ / 79,8fl.oz | | |
| Weight | 10kg / 22lbs | | |
| Motor protection | 1# internal | | |
| Winding resistance main | 10,2Ω (at 25°C) | | |
| Winding resistance aux | 16,4Ω (at 25°C) | | |
| Max. winding temp. | 125°C / 257°F | | |
| Max. discharge temp. | 130°C / 266°F | | |



General - Configurations with NL6.1MF

| | Conf. 1 | Conf. 2 | Conf. 3 | Conf. 4 | Conf. 5 |
|------------------------|-----------------------|-----------------------|-----------------------|-----------------------|-----------------------|
| Motorconfiguration | RSIR | CSIR | CSIR | CSIR | CSIR |
| Power supply (nominal) | 220-240V/50Hz | 220-240V/50Hz | 208-230V/60Hz | 220-240V/50Hz | 208-230V/60Hz |
| Number of phases | 1 | 1 | 1 | 1 | 1 |
| Voltage range | 187-254V | 187-254V | 187-254V | 187-254V | 187-253V |
| Approvals | VDE, UL, CCC, EAC, KC | VDE, UL, CCC, EAC, KC | VDE, UL, CCC, EAC, KC | VDE, UL, CCC, EAC, KC | VDE, UL, CCC, EAC, KC |
| Starting torque | LST | HST | HST | HST | HST |
| Note | - / - | | | | |

Applications with NL6.1MF

| | Conf. 1 | Conf. 2 | Conf. 3 | Conf. 4 | Conf. 5 |
|-------------------------|----------------|----------------|----------------|----------------|----------------|
| Refrigerant | R134a | R134a | R134a | R513A | R513A |
| Application | MBP | MBP | LBP+MBP | MBP | LBP+MBP |
| System cooling | fan 1,5m/s | fan 1,5m/s | fan 1,5m/s | fan 1,5m/s | fan 1,5m/s |
| Hot gas defrost | - / - | - / - | - / - | - / - | - / - |
| Long interval pull down | OK | OK | OK | OK | OK |

Electrical data - Configurations with NL6.1MF

| | Conf. 1 | Conf. 2 | Conf. 3 | Conf. 4 | Conf. 5 |
|------------------------------|----------------|----------------|----------------|----------------|----------------|
| Starting device type | PTC | relay | relay | relay | relay |
| Run capacitor | - / - | - / - | - / - | - / - | - / - |
| Start capacitor | - / - | 80μF | 80μF | 80μF | 80μF |
| LRA (locked rotor amps / 4s) | 8A | 9,2A | 9,2A | 9,2A | 9,2A |
| RLA (rated load amps / 1s) | 1,7A | 1,7A | 1,7A | 1,7A | 1,7A |
| Cut in current | 12,2A | 12,2A | 12,2A | 12,2A | 12,2A |

Model

Designation

NL6.1MF

220-240V/50Hz 1~ 208-230V/60Hz 1~

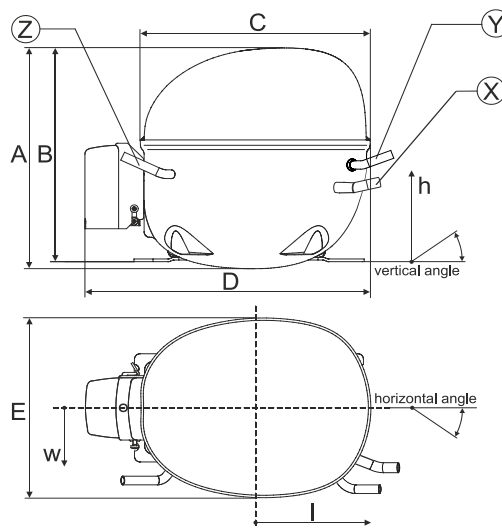
Sales code:

105G6660

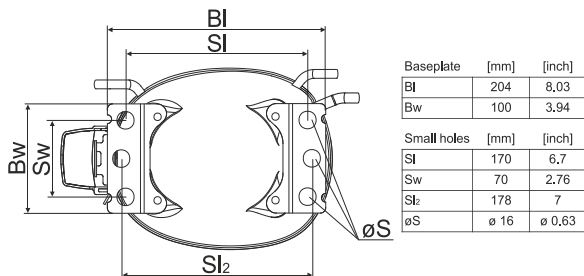
Compressor dimensions

| | | |
|----------------|-------------------|------------------|
| Housing | A Height | 190,5mm / 7,5in |
| | B Height | 184,5mm / 7,26in |
| | C Length shell | 205mm / 8,07in |
| | D Length w. cover | 254mm / 10in |
| | E Width | 166mm / 6,54in |

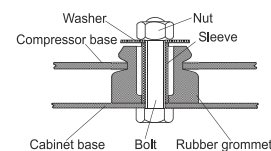
| Connectors | Suction X | Discharge Y | Process Z |
|----------------------------|--------------|----------------|--------------|
| Diameter [mm] | øi 8,11-8,29 | øi 6,11-6,29 | øi 6,11-6,29 |
| (i:inside, o:outside) [in] | øi 0,32-0,33 | øi 0,24-0,25 | øi 0,24-0,25 |
| Material | copper | copper | copper |
| Horizontal angle ±2° | 0° | 0° | 0° |
| Vertical angle ±2° | 15° | 35° | 155° |
| Position l/h/w [mm] | 126/76/78 | 133/103/54 | -107/94/72 |
| [in] | 4,9/3/3,1 | 5,2/4/2,1 | -4,2/3,7/2,8 |
| Straight tube l. [mm] | 12 | 12 | 12 |
| [in] | 0,5 | 0,5 | 0,5 |



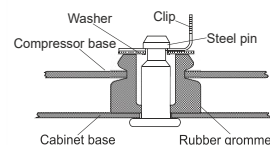
Compressor fixation



Bolt joint



Snap-on



| Mounting accessories | one comp. | multi pack |
|----------------------------|-----------|------------|
| Bolt joint M6 ø16mm | 118-1917 | 118-1918 |
| Bolt joint ø1/4" ø16mm | 118-1946 | |
| Bolt joint ø1/4" ø19mm | 118-1949 | |
| Snap-on ø7,3 ø16mm | 118-1947 | 118-1919 |

Application notes

LRA value on compressor label and datasheet may differ due to different test conditions for UL approval.

Model

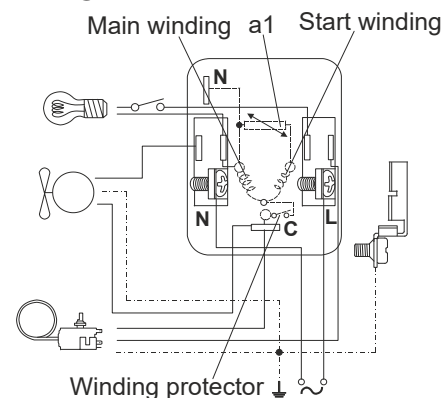
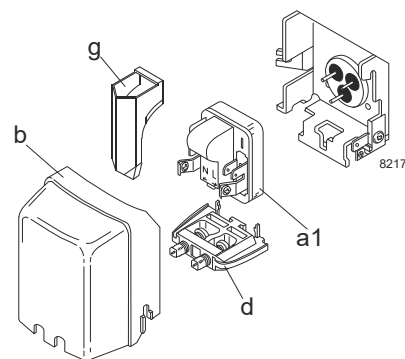
| | | | | | |
|-------------|----------------|----------------------|----------------|-------------|-----------------|
| Designation | NL6.1MF | 220-240V/50Hz | Conf. 1 | Sales code: | 105G6660 |
|-------------|----------------|----------------------|----------------|-------------|-----------------|

Configuration

| | |
|------------------------|------------------|
| Motorconfiguration | RSIR |
| Power supply (nominal) | 220-240V/50Hz 1~ |
| Refrigerant | R134a |
| Application | MBP |
| Voltage range | 187-254V |
| Starting torque | LST |
| Approvals | VDE (2) |
| (1): Made in China | UL (1),(2) |
| (2): Made in Slovakia | CCC (1),(2) |
| | EAC (1),(2) |
| | KC (1) |

Electrical accessories / wiring diagram

RSIR

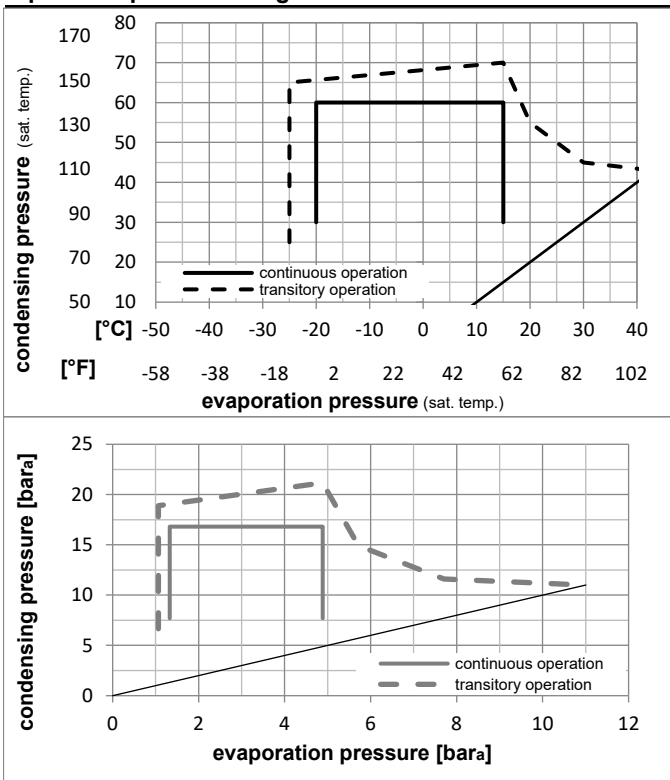


Ambient/ machine room temperatures minimum /maximum

| | |
|---------------------------------|------------------------|
| Ambient temperature range: | 10 - 43°C / 50 - 110°F |
| Machine room temperature range: | 10 - 48°C / 50 - 119°F |
| Compressor cooling: | static |

Operation Limits

Operation pressure range



Components

| | | |
|----|----------------------------------|----------|
| a1 | PTC starter (220V, 250hm, 4.8mm) | 103N0018 |
| b | plastic cover | 103N2011 |
| d | cord relief | 103N1010 |
| g | protection screen for PTC | 103N0476 |

Alternative components

| | | |
|----|----------------------------------|----------|
| a1 | PTC starter (220V, 250hm, 6.3mm) | 103N0011 |
| b | plastic cover | 103N2010 |
| d | cord relief | 103N1010 |
| g | protection screen for PTC | 103N0476 |

Model

Designation **NL6.1MF** **220-240V/50Hz** Conf. 1 Sales code: **105G6660**

Optimization + standard conditions

R134a, 220V/50Hz, RSIR, static, VDE, UL, CCC, EAC, KC

| | | Evaporating pressure (saturation temperature) | | | | Condensing pressure (saturation temperature) | | | Return gas temp. | | | Liquid temp. | | | Cooling capacity | | | COP | EER | Power consumption | | | |
|------|------|---|-----|-----|-------|--|---------|----------|------------------|----------|-----------|--------------|------|---|------------------|-----|--------|-----|-----|-------------------|-------------|--|--|
| | | pe | pc | RGT | Tliq | [W] | [Btu/h] | [kcal/h] | [W/W] | [Btu/Wh] | [kcal/Wh] | P1 | I | m | [W] | [A] | [kg/h] | | | | | | |
| [°C] | [°F] | | | | | | | | | | | | | | | | | | | | | | |
| -7 | 20 | 54 | 35 | 46 | 320,1 | 1093 | 275,5 | 1,61 | 5,49 | 1,38 | 199,2 | 1,46 | 6,98 | | | | | | | | ASHRAE MBP | | |
| 54 | 130 | 95 | 115 | | | | | | | | | | | | | | | | | | | | |
| -10 | 14 | 55 | 32 | 55 | 245,1 | 837 | 211,0 | 1,31 | 4,47 | 1,13 | 187,5 | 1,43 | 5,93 | | | | | | | | cecomaf MBP | | |
| 55 | 131 | 90 | 131 | | | | | | | | | | | | | | | | | | | | |
| -10 | 14 | 45 | 20 | 45 | 283,3 | 968 | 243,8 | 1,59 | 5,44 | 1,37 | 177,8 | 1,40 | 6,63 | | | | | | | | EN12900 MBP | | |
| 45 | 113 | 68 | 113 | | | | | | | | | | | | | | | | | | | | |
| -7 | 20 | 49 | 18 | 49 | 308,4 | 1053 | 265,4 | 1,60 | 5,46 | 1,38 | 192,9 | 1,44 | 7,62 | | | | | | | | ARI540 MBP | | |
| 49 | 120 | 65 | 120 | | | | | | | | | | | | | | | | | | | | |
| -10 | 14 | 45 | 32 | 45 | 293,9 | 1004 | 253,0 | 1,65 | 5,65 | 1,42 | 177,8 | 1,40 | 6,43 | | | | | | | | opt | | |
| 45 | 113 | 90 | 113 | | | | | | | | | | | | | | | | | | | | |
| -25 | -13 | 45 | 32 | 45 | 127,3 | 435 | 109,5 | 0,99 | 3,37 | 0,85 | 129,0 | 1,32 | 2,76 | | | | | | | | opt | | |
| 45 | 113 | 90 | 113 | | | | | | | | | | | | | | | | | | | | |

Performance tables

R134a, 220V/50Hz, RSIR, static, VDE, UL, CCC, EAC, KC

| | pe | | Cooling capacity | | | COP | EER | P1 | I | m | |
|------------------|------|------|------------------|---------|----------|-------|----------|-----------|-------|------|--------|
| | [°C] | [°F] | [W] | [Btu/h] | [kcal/h] | [W/W] | [Btu/Wh] | [kcal/Wh] | [W] | [A] | [kg/h] |
| [°C / °F] | -20 | -4 | 173,3 | 592 | 149,1 | 1,19 | 4,06 | 1,02 | 145,8 | 1,34 | 3,76 |
| cond. pressure | -15 | 5 | 228,4 | 780 | 196,5 | 1,41 | 4,82 | 1,21 | 162,0 | 1,37 | 4,98 |
| pc= 45/113 | -10 | 14 | 293,9 | 1004 | 253,0 | 1,65 | 5,65 | 1,42 | 177,8 | 1,40 | 6,43 |
| return gas temp. | -5 | 23 | 371,3 | 1268 | 319,5 | 1,92 | 6,56 | 1,65 | 193,4 | 1,44 | 8,16 |
| RGT= 32/90 | 0 | 32 | 461,8 | 1577 | 397,4 | 2,21 | 7,54 | 1,90 | 209,1 | 1,49 | 10,21 |
| liquid temp | 5 | 41 | 566,7 | 1935 | 487,7 | 2,52 | 8,60 | 2,17 | 225,2 | 1,54 | 12,62 |
| Tliq= 45/113 | 15 | 59 | 825,4 | 2819 | 710,4 | 3,19 | 10,88 | 2,74 | 259,1 | 1,66 | 18,70 |
| [°C / °F] | -20 | -4 | 140,8 | 481 | 121,2 | 0,94 | 3,21 | 0,81 | 149,8 | 1,35 | 3,38 |
| cond. pressure | -15 | 5 | 188,5 | 644 | 162,2 | 1,12 | 3,81 | 0,96 | 168,8 | 1,39 | 4,54 |
| pc= 55/131 | -10 | 14 | 245,1 | 837 | 211,0 | 1,31 | 4,47 | 1,13 | 187,5 | 1,43 | 5,93 |
| return gas temp | -5 | 23 | 312,0 | 1066 | 268,5 | 1,51 | 5,17 | 1,30 | 206,0 | 1,48 | 7,58 |
| RGT= 32/90 | 0 | 32 | 390,5 | 1334 | 336,1 | 1,74 | 5,94 | 1,50 | 224,5 | 1,54 | 9,55 |
| liquid temp | 5 | 41 | 481,9 | 1646 | 414,7 | 1,98 | 6,76 | 1,70 | 243,3 | 1,60 | 11,87 |
| Tliq= 55/131 | 15 | 59 | 708,9 | 2421 | 610,1 | 2,51 | 8,56 | 2,16 | 282,9 | 1,75 | 17,81 |

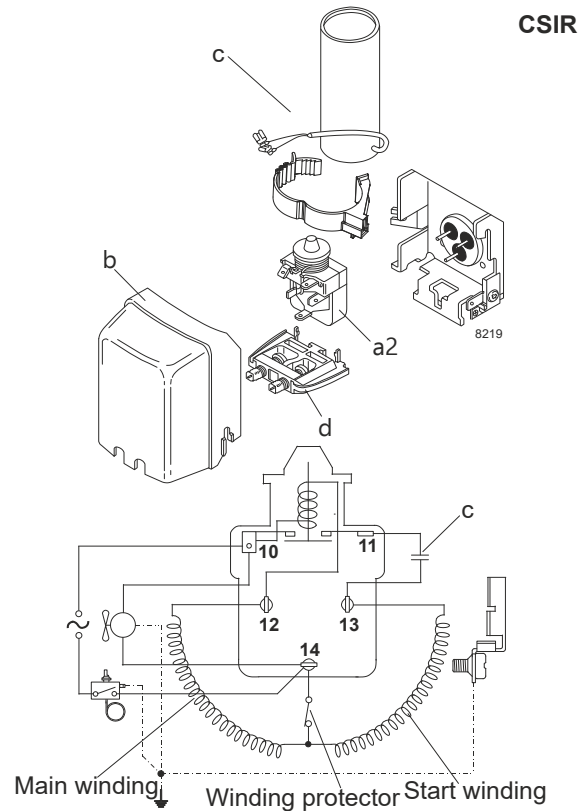
Model

| | | | | | |
|-------------|----------------|----------------------|----------------|-------------|-----------------|
| Designation | NL6.1MF | 220-240V/50Hz | Conf. 2 | Sales code: | 105G6660 |
|-------------|----------------|----------------------|----------------|-------------|-----------------|

Configuration

| | |
|------------------------|------------------|
| Motorconfiguration | CSIR |
| Power supply (nominal) | 220-240V/50Hz 1~ |
| Refrigerant | R134a |
| Application | MBP |
| Voltage range | 187-254V |
| Starting torque | HST |
| Approvals | VDE (2) |
| (1): Made in China | UL (1),(2) |
| (2): Made in Slovakia | CCC (1),(2) |
| | EAC (1),(2) |
| | KC (1) |

Electrical accessories / wiring diagram

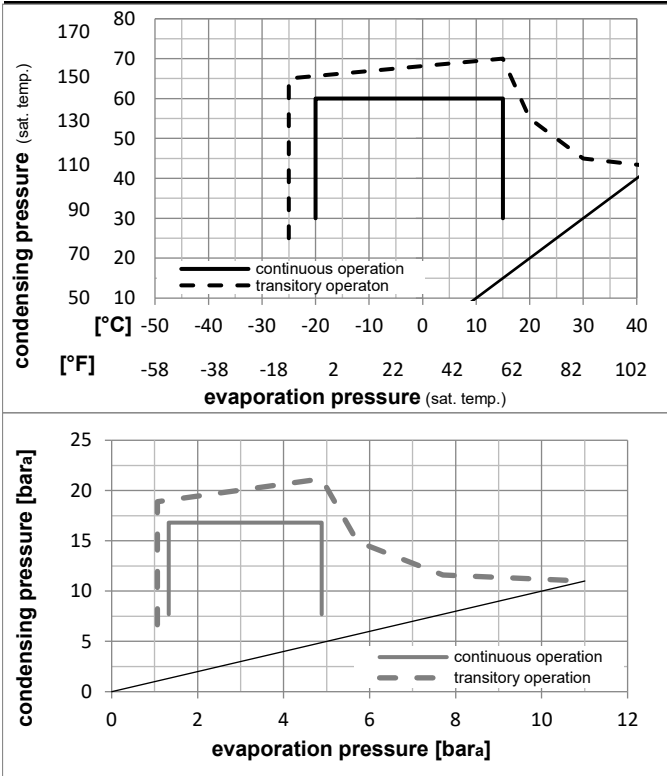


Ambient/ machine room temperatures minimum /maximum

| | |
|---------------------------------|------------------------|
| Ambient temperature range: | 10 - 43°C / 50 - 110°F |
| Machine room temperature range: | 10 - 48°C / 50 - 119°F |
| Compressor cooling: | static |

Operation Limits

Operation pressure range



Components

| | | |
|----|------------------------|----------|
| a2 | relay | 117U6015 |
| c | start capacitor (80μF) | 117U5015 |
| b | plastic cover | 103N2010 |
| d | cord relief | 103N1010 |

Alternative components

| | | |
|---|---------------|----------|
| b | plastic cover | 103N2011 |
|---|---------------|----------|

Model

Designation **NL6.1MF** **220-240V/50Hz** Conf. 2 Sales code: **105G6660**

Optimization + standard conditions

R134a, 220V/50Hz, CSIR, static, VDE, UL, CCC, EAC, KC

| | | Evaporating pressure (saturation temperature) | | | | Condensing pressure (saturation temperature) | | | | | | Power consumption | | | |
|------|-----|---|----|-----|-------|--|---------|----------|-------|----------|-----------|---------------------|------|-------------|----------------|
| | | Return gas temp. | | | | Liquid temp. | | | | | | Current consumption | | | Ref. mass flow |
| | | Cooling capacity | | | | COP | EER | P1 | | | I | m | | | |
| | | pe | pc | RGT | Tliq | [W] | [Btu/h] | [kcal/h] | [W/W] | [Btu/Wh] | [kcal/Wh] | [W] | [A] | [kg/h] | |
| [°C] | -7 | 54 | 35 | 46 | 320,1 | 1093 | 275,5 | 1,61 | 5,49 | 1,38 | 199,2 | 1,46 | 6,98 | ASHRAE MBP | |
| [°F] | 20 | 130 | 95 | 115 | | | | | | | | | | | |
| [°C] | -10 | 55 | 32 | 55 | 245,1 | 837 | 211,0 | 1,31 | 4,47 | 1,13 | 187,5 | 1,43 | 5,93 | cecomaf MBP | |
| [°F] | 14 | 131 | 90 | 131 | | | | | | | | | | | |
| [°C] | -10 | 45 | 20 | 45 | 283,3 | 968 | 243,8 | 1,59 | 5,44 | 1,37 | 177,8 | 1,40 | 6,63 | EN12900 MBP | |
| [°F] | 14 | 113 | 68 | 113 | | | | | | | | | | | |
| [°C] | -7 | 49 | 18 | 49 | 308,4 | 1053 | 265,4 | 1,60 | 5,46 | 1,38 | 192,9 | 1,44 | 7,62 | ARI540 MBP | |
| [°F] | 20 | 120 | 65 | 120 | | | | | | | | | | | |
| [°C] | -10 | 45 | 32 | 45 | 293,9 | 1004 | 253,0 | 1,65 | 5,65 | 1,42 | 177,8 | 1,40 | 6,43 | opt | |
| [°F] | 14 | 113 | 90 | 113 | | | | | | | | | | | |
| [°C] | -25 | 45 | 32 | 45 | 127,3 | 435 | 109,5 | 0,99 | 3,37 | 0,85 | 129,0 | 1,32 | 2,76 | opt | |
| [°F] | -13 | 113 | 90 | 113 | | | | | | | | | | | |

Performance tables

R134a, 220V/50Hz, CSIR, static, VDE, UL, CCC, EAC, KC

| | pe | | Cooling capacity | | | COP | EER | P1 | | | I | m |
|------------------|------|------|------------------|---------|----------|-------|----------|-----------|-------|------|--------|---|
| | [°C] | [°F] | [W] | [Btu/h] | [kcal/h] | [W/W] | [Btu/Wh] | [kcal/Wh] | [W] | [A] | [kg/h] | |
| [°C / °F] | -20 | -4 | 173,3 | 592 | 149,1 | 1,19 | 4,06 | 1,02 | 145,8 | 1,34 | 3,76 | |
| cond. pressure | -15 | 5 | 228,4 | 780 | 196,5 | 1,41 | 4,82 | 1,21 | 162,0 | 1,37 | 4,98 | |
| pc= 45/113 | -10 | 14 | 293,9 | 1004 | 253,0 | 1,65 | 5,65 | 1,42 | 177,8 | 1,40 | 6,43 | |
| return gas temp. | -5 | 23 | 371,3 | 1268 | 319,5 | 1,92 | 6,56 | 1,65 | 193,4 | 1,44 | 8,16 | |
| RGT= 32/90 | 0 | 32 | 461,8 | 1577 | 397,4 | 2,21 | 7,54 | 1,90 | 209,1 | 1,49 | 10,21 | |
| liquid temp | 5 | 41 | 566,7 | 1935 | 487,7 | 2,52 | 8,60 | 2,17 | 225,2 | 1,54 | 12,62 | |
| Tliq= 45/113 | 15 | 59 | 825,4 | 2819 | 710,4 | 3,19 | 10,88 | 2,74 | 259,1 | 1,66 | 18,70 | |
| [°C / °F] | -20 | -4 | 140,8 | 481 | 121,2 | 0,94 | 3,21 | 0,81 | 149,8 | 1,35 | 3,38 | |
| cond. pressure | -15 | 5 | 188,5 | 644 | 162,2 | 1,12 | 3,81 | 0,96 | 168,8 | 1,39 | 4,54 | |
| pc= 55/131 | -10 | 14 | 245,1 | 837 | 211,0 | 1,31 | 4,47 | 1,13 | 187,5 | 1,43 | 5,93 | |
| return gas temp | -5 | 23 | 312,0 | 1066 | 268,5 | 1,51 | 5,17 | 1,30 | 206,0 | 1,48 | 7,58 | |
| RGT= 32/90 | 0 | 32 | 390,5 | 1334 | 336,1 | 1,74 | 5,94 | 1,50 | 224,5 | 1,54 | 9,55 | |
| liquid temp | 5 | 41 | 481,9 | 1646 | 414,7 | 1,98 | 6,76 | 1,70 | 243,3 | 1,60 | 11,87 | |
| Tliq= 55/131 | 15 | 59 | 708,9 | 2421 | 610,1 | 2,51 | 8,56 | 2,16 | 282,9 | 1,75 | 17,81 | |

Model

| | | | | | |
|-------------|----------------|----------------------|----------------|-------------|-----------------|
| Designation | NL6.1MF | 208-230V/60Hz | Conf. 3 | Sales code: | 105G6660 |
|-------------|----------------|----------------------|----------------|-------------|-----------------|

Configuration

| | |
|------------------------|------------------|
| Motorconfiguration | CSIR |
| Power supply (nominal) | 208-230V/60Hz 1~ |
| Refrigerant | R134a |
| Application | LBP+MBP |
| Voltage range | 187-254V |
| Starting torque | HST |
| Approvals | VDE (2) |
| (1): Made in China | UL (1),(2) |
| | CCC (1),(2) |
| | EAC (1),(2) |
| | KC (1) |

Electrical accessories / wiring diagram

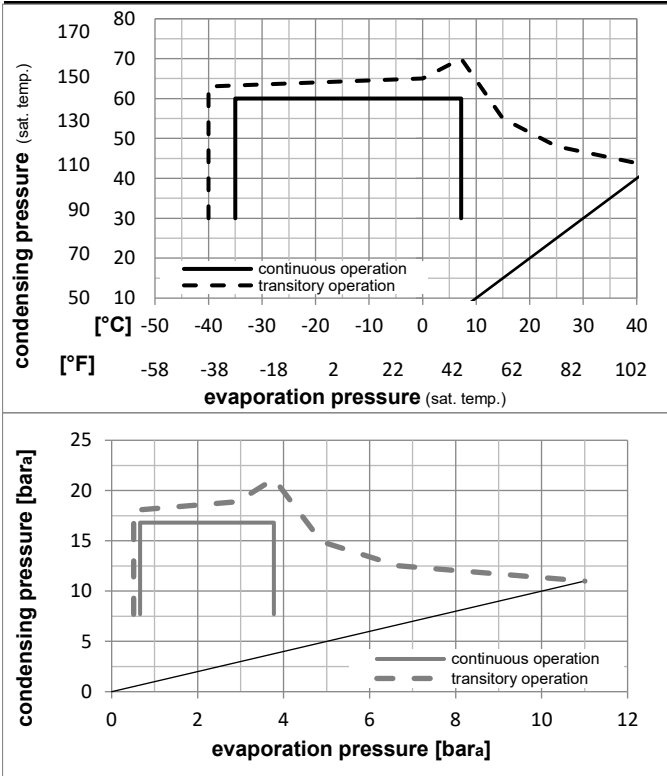


Ambient/ machine room temperatures minimum /maximum

| | |
|---------------------------------|------------------------|
| Ambient temperature range: | 10 - 43°C / 50 - 110°F |
| Machine room temperature range: | 10 - 48°C / 50 - 119°F |
| Compressor cooling: | static |

Operation Limits

Operation pressure range



Components

| | | |
|----|------------------------|----------|
| a2 | relay | 117U6015 |
| c | start capacitor (80μF) | 117U5015 |
| b | plastic cover | 103N2010 |
| d | cord relief | 103N1010 |

Alternative components

| | | |
|---|---------------|----------|
| b | plastic cover | 103N2011 |
|---|---------------|----------|

Model

Designation **NL6.1MF** **208-230V/60Hz** Conf. 3 Sales code: **105G6660**

Optimization + standard conditions

R134a, 220V/60Hz, CSIR, static, VDE, UL, CCC, EAC, KC

| | | Evaporating pressure (saturation temperature) | | | | Condensing pressure (saturation temperature) | | | | | | Power consumption | | | |
|------|------|---|---------|----------|-------|--|-----------|------|------|--------|-------|---------------------|------|-------------|----------------|
| | | Return gas temp. | | | | Liquid temp. | | | | | | Current consumption | | | Ref. mass flow |
| | | Cooling capacity | | | | COP | EER | P1 | | | I | m | | | |
| | | [W] | [Btu/h] | [kcal/h] | [W/W] | [Btu/Wh] | [kcal/Wh] | [W] | [A] | [kg/h] | | | | | |
| [°C] | [°F] | pe | pc | RGT | Tliq | | | | | | | | | | |
| -7 | 20 | 54 | 35 | 46 | 383,3 | 1309 | 329,8 | 1,62 | 5,54 | 1,40 | 236,2 | 1,44 | 8,36 | ASHRAE MBP | |
| -10 | 14 | 55 | 32 | 55 | 292,1 | 998 | 251,4 | 1,34 | 4,58 | 1,16 | 217,6 | 1,37 | 7,06 | cecomaf MBP | |
| -10 | 14 | 45 | 20 | 45 | 339,2 | 1159 | 291,9 | 1,65 | 5,64 | 1,42 | 205,4 | 1,33 | 7,94 | EN12900 MBP | |
| -7 | 20 | 49 | 18 | 49 | 370,8 | 1266 | 319,1 | 1,63 | 5,57 | 1,40 | 227,2 | 1,41 | 9,16 | ARI540 MBP | |
| -10 | 14 | 45 | 32 | 45 | 351,9 | 1202 | 302,9 | 1,71 | 5,85 | 1,47 | 205,4 | 1,33 | 7,70 | opt | |
| -25 | -13 | 45 | 32 | 45 | 152,2 | 520 | 130,9 | 1,13 | 3,87 | 0,98 | 134,3 | 1,09 | 3,30 | opt | |

Performance tables

R134a, 220V/60Hz, CSIR, static, VDE, UL, CCC, EAC, KC

| | pe | | Cooling capacity | | | COP | EER | P1 | I | m | |
|------------------|------|------|------------------|---------|----------|-------|----------|-----------|-------|------|--------|
| | [°C] | [°F] | [W] | [Btu/h] | [kcal/h] | [W/W] | [Btu/Wh] | [kcal/Wh] | [W] | [A] | [kg/h] |
| [°C / °F] | -35 | -31 | 70,6 | 241 | 60,7 | 0,79 | 2,71 | 0,68 | 89,0 | 0,96 | 1,52 |
| cond. pressure | -25 | -13 | 152,2 | 520 | 130,9 | 1,13 | 3,87 | 0,98 | 134,3 | 1,09 | 3,30 |
| pc= 45/113 | -15 | 5 | 272,9 | 932 | 234,9 | 1,50 | 5,14 | 1,29 | 181,4 | 1,24 | 5,95 |
| return gas temp. | -10 | 14 | 351,9 | 1202 | 302,9 | 1,71 | 5,85 | 1,47 | 205,4 | 1,33 | 7,70 |
| RGT= 32/90 | -5 | 23 | 445,5 | 1521 | 383,4 | 1,94 | 6,63 | 1,67 | 229,6 | 1,42 | 9,80 |
| liquid temp | 0 | 32 | 555,0 | 1896 | 477,7 | 2,19 | 7,47 | 1,88 | 253,7 | 1,52 | 12,27 |
| Tliq= 45/113 | 7,2 | 45 | 744,2 | 2542 | 640,5 | 2,58 | 8,82 | 2,22 | 288,1 | 1,68 | 16,62 |
| [°C / °F] | -35 | -31 | 42,9 | 146 | 36,9 | 0,55 | 1,88 | 0,47 | 77,9 | 0,91 | 1,02 |
| cond. pressure | -25 | -13 | 117,0 | 400 | 100,7 | 0,89 | 3,03 | 0,76 | 132,0 | 1,08 | 2,80 |
| pc= 55/131 | -15 | 5 | 223,1 | 762 | 192,0 | 1,18 | 4,04 | 1,02 | 188,7 | 1,26 | 5,37 |
| return gas temp | -10 | 14 | 292,1 | 998 | 251,4 | 1,34 | 4,58 | 1,16 | 217,6 | 1,37 | 7,06 |
| RGT= 32/90 | -5 | 23 | 373,8 | 1276 | 321,7 | 1,51 | 5,17 | 1,30 | 246,9 | 1,48 | 9,09 |
| liquid temp | 0 | 32 | 469,7 | 1604 | 404,2 | 1,70 | 5,81 | 1,46 | 276,3 | 1,60 | 11,49 |
| Tliq= 55/131 | 7,2 | 45 | 636,0 | 2172 | 547,4 | 2,00 | 6,82 | 1,72 | 318,6 | 1,78 | 15,73 |

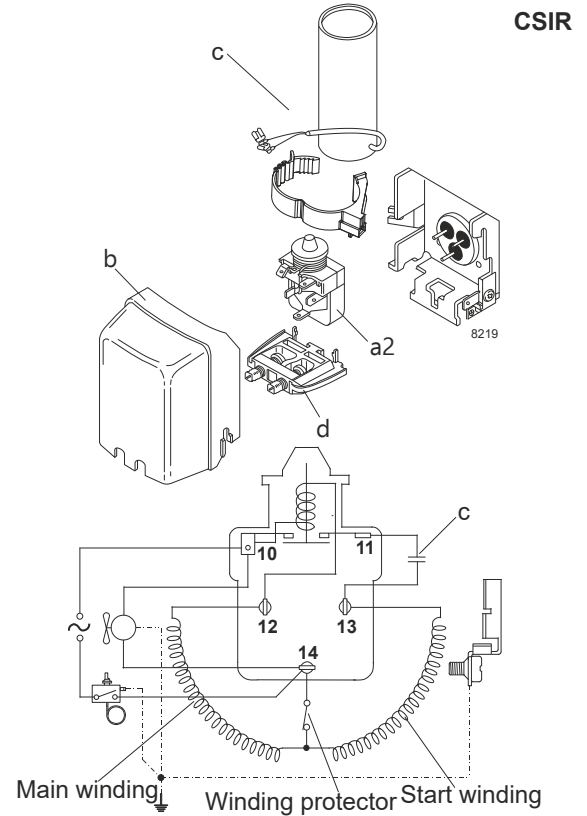
Model

| | | | | | |
|-------------|----------------|----------------------|----------------|-------------|-----------------|
| Designation | NL6.1MF | 220-240V/50Hz | Conf. 4 | Sales code: | 105G6660 |
|-------------|----------------|----------------------|----------------|-------------|-----------------|

Configuration

| | |
|------------------------|------------------|
| Motorconfiguration | CSIR |
| Power supply (nominal) | 220-240V/50Hz 1~ |
| Refrigerant | R513A |
| Application | MBP |
| Voltage range | 187-254V |
| Starting torque | HST |
| Approvals | VDE (2) |
| (1): Made in China | UL (1),(2) |
| (2): Made in Slovakia | CCC (1),(2) |
| | EAC (1),(2) |
| | KC (1) |

Electrical accessories / wiring diagram

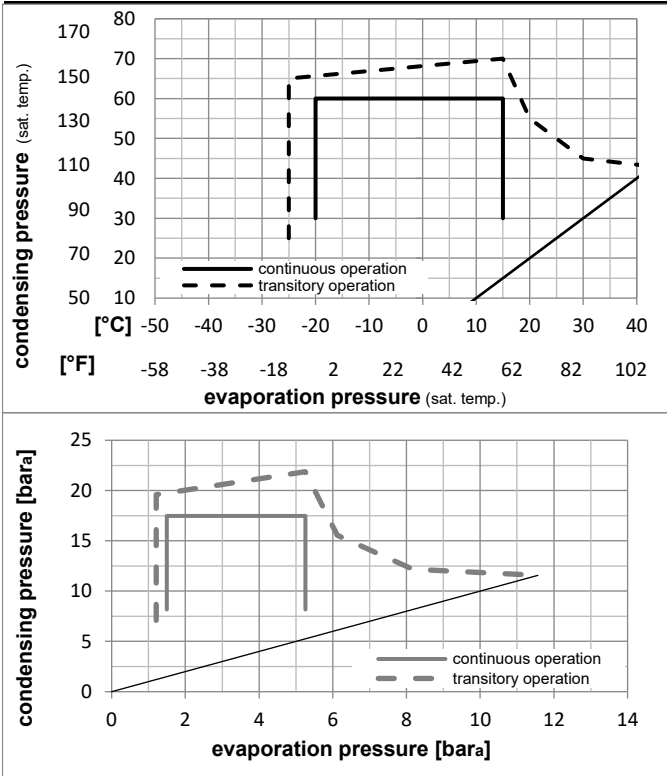


Ambient/ machine room temperatures minimum /maximum

| | |
|---------------------------------|------------------------|
| Ambient temperature range: | 10 - 43°C / 50 - 110°F |
| Machine room temperature range: | 10 - 48°C / 50 - 119°F |
| Compressor cooling: | static |

Operation Limits

Operation pressure range



Components

| | | |
|----|------------------------|----------|
| a2 | relay | 117U6015 |
| c | start capacitor (80μF) | 117U5015 |
| b | plastic cover | 103N2010 |
| d | cord relief | 103N1010 |

Alternative components

| | | |
|---|---------------|----------|
| b | plastic cover | 103N2011 |
|---|---------------|----------|

Model

Designation **NL6.1MF** **220-240V/50Hz** Conf. 4 Sales code: **105G6660**

Optimization + standard conditions

R513A, 220V/50Hz, CSIR, static, VDE, UL, CCC, EAC, KC

| | | Evaporating pressure (saturation temperature) | | | | Condensing pressure (saturation temperature) | | | | | | Power consumption | | | |
|------|-----|---|----|-----|-------|--|---------|----------|-------|----------|-----------|---------------------|------|-------------|----------------|
| | | Return gas temp. | | | | Liquid temp. | | | | | | Current consumption | | | Ref. mass flow |
| | | Cooling capacity | | | | COP | EER | P1 | | | I | m | | | |
| | | pe | pc | RGT | Tliq | [W] | [Btu/h] | [kcal/h] | [W/W] | [Btu/Wh] | [kcal/Wh] | [W] | [A] | [kg/h] | |
| [°C] | -7 | 54 | 35 | 46 | 336,7 | 1150 | 289,8 | 1,59 | 5,45 | 1,37 | 211,1 | 1,50 | 8,25 | ASHRAE MBP | |
| [°F] | 20 | 130 | 95 | 115 | | | | | | | | | | | |
| [°C] | -10 | 55 | 32 | 55 | 254,9 | 871 | 219,4 | 1,28 | 4,36 | 1,10 | 199,5 | 1,47 | 7,05 | cecomaf MBP | |
| [°F] | 14 | 131 | 90 | 131 | | | | | | | | | | | |
| [°C] | -10 | 45 | 20 | 45 | 296,6 | 1013 | 255,3 | 1,57 | 5,37 | 1,35 | 188,6 | 1,45 | 7,86 | EN12900 MBP | |
| [°F] | 14 | 113 | 68 | 113 | | | | | | | | | | | |
| [°C] | -7 | 49 | 18 | 49 | 318,7 | 1089 | 274,3 | 1,56 | 5,33 | 1,34 | 204,1 | 1,49 | 8,98 | ARI540 MBP | |
| [°F] | 20 | 120 | 65 | 120 | | | | | | | | | | | |
| [°C] | -10 | 45 | 32 | 45 | 310,2 | 1059 | 266,9 | 1,64 | 5,62 | 1,42 | 188,6 | 1,45 | 7,63 | opt | |
| [°F] | 14 | 113 | 90 | 113 | | | | | | | | | | | |
| [°C] | -25 | 45 | 32 | 45 | 139,2 | 476 | 119,8 | 1,00 | 3,41 | 0,86 | 139,5 | 1,32 | 3,39 | opt | |
| [°F] | -13 | 113 | 90 | 113 | | | | | | | | | | | |

Performance tables

R513A, 220V/50Hz, CSIR, static, VDE, UL, CCC, EAC, KC

| | pe | | Cooling capacity | | | COP | EER | P1 | I | m | |
|------------------|------|------|------------------|---------|----------|-------|----------|-----------|-------|------|--------|
| | [°C] | [°F] | [W] | [Btu/h] | [kcal/h] | [W/W] | [Btu/Wh] | [kcal/Wh] | [W] | [A] | [kg/h] |
| [°C / °F] | -20 | -4 | 186,9 | 638 | 160,8 | 1,19 | 4,08 | 1,03 | 156,5 | 1,37 | 4,57 |
| cond. pressure | -15 | 5 | 243,4 | 831 | 209,5 | 1,41 | 4,81 | 1,21 | 172,7 | 1,41 | 5,96 |
| pc= 45/113 | -10 | 14 | 310,2 | 1059 | 266,9 | 1,64 | 5,62 | 1,42 | 188,6 | 1,45 | 7,63 |
| return gas temp. | -5 | 23 | 388,4 | 1326 | 334,3 | 1,90 | 6,50 | 1,64 | 204,2 | 1,49 | 9,59 |
| RGT= 32/90 | 0 | 32 | 479,3 | 1637 | 412,5 | 2,18 | 7,45 | 1,88 | 219,8 | 1,52 | 11,89 |
| liquid temp | 5 | 41 | 584,3 | 1995 | 502,9 | 2,48 | 8,47 | 2,13 | 235,6 | 1,56 | 14,57 |
| Tliq= 45/113 | 15 | 59 | 841,2 | 2873 | 724,0 | 3,13 | 10,69 | 2,69 | 268,7 | 1,65 | 21,28 |
| [°C / °F] | -20 | -4 | 150,2 | 513 | 129,3 | 0,93 | 3,17 | 0,80 | 161,7 | 1,38 | 4,12 |
| cond. pressure | -15 | 5 | 198,3 | 677 | 170,7 | 1,10 | 3,74 | 0,94 | 180,9 | 1,43 | 5,46 |
| pc= 55/131 | -10 | 14 | 254,9 | 871 | 219,4 | 1,28 | 4,36 | 1,10 | 199,5 | 1,47 | 7,05 |
| return gas temp | -5 | 23 | 321,4 | 1098 | 276,6 | 1,47 | 5,04 | 1,27 | 217,9 | 1,52 | 8,93 |
| RGT= 32/90 | 0 | 32 | 398,9 | 1362 | 343,3 | 1,69 | 5,77 | 1,45 | 236,3 | 1,57 | 11,14 |
| liquid temp | 5 | 41 | 488,7 | 1669 | 420,6 | 1,92 | 6,55 | 1,65 | 254,8 | 1,61 | 13,73 |
| Tliq= 55/131 | 15 | 59 | 710,3 | 2426 | 611,3 | 2,42 | 8,27 | 2,08 | 293,3 | 1,71 | 20,29 |

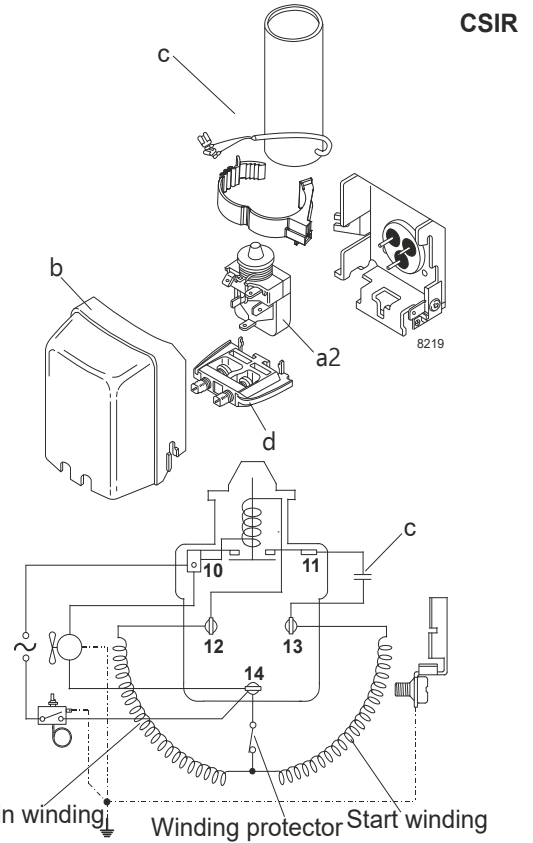
Model

| | | | | | |
|-------------|----------------|----------------------|----------------|-------------|-----------------|
| Designation | NL6.1MF | 208-230V/60Hz | Conf. 5 | Sales code: | 105G6660 |
|-------------|----------------|----------------------|----------------|-------------|-----------------|

Configuration

| | |
|------------------------|------------------|
| Motorconfiguration | CSIR |
| Power supply (nominal) | 208-230V/60Hz 1~ |
| Refrigerant | R513A |
| Application | LBP+MBP |
| Voltage range | 187-253V |
| Starting torque | HST |
| Approvals | VDE (2) |
| (1): Made in China | UL (1),(2) |
| (2): Made in Slovakia | CCC (1),(2) |
| | EAC (1),(2) |
| | KC (1) |

Electrical accessories / wiring diagram

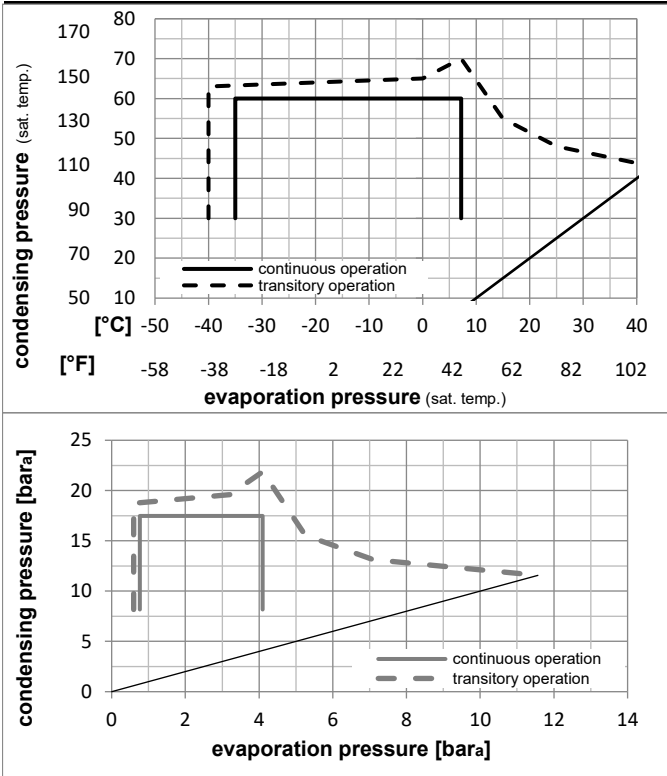


Ambient/ machine room temperatures minimum /maximum

| | |
|---------------------------------|------------------------|
| Ambient temperature range: | 10 - 43°C / 50 - 110°F |
| Machine room temperature range: | 10 - 48°C / 50 - 119°F |
| Compressor cooling: | static |

Operation Limits

Operation pressure range



Components

| | | |
|----|------------------------|----------|
| a2 | relay | 117U6015 |
| c | start capacitor (80μF) | 117U5015 |
| b | plastic cover | 103N2010 |
| d | cord relief | 103N1010 |

Alternative components

| | | |
|---|---------------|----------|
| b | plastic cover | 103N2011 |
|---|---------------|----------|

Model

Designation **NL6.1MF** **208-230V/60Hz** Conf. 5 Sales code: **105G6660**

Optimization + standard conditions

R513A, 220V/60Hz, CSIR, static, VDE, UL, CCC, EAC, KC

| | | Evaporating pressure (saturation temperature) | | | | Condensing pressure (saturation temperature) | | | | | | Power consumption | | | |
|------|------|---|---------|----------|-------|--|-----------|------|------|--------|-------|---------------------|-------|-------------|----------------|
| | | Return gas temp. | | | | Liquid temp. | | | | | | Current consumption | | | Ref. mass flow |
| | | Cooling capacity | | | | COP | EER | P1 | | | I | m | | | |
| | | [W] | [Btu/h] | [kcal/h] | [W/W] | [Btu/Wh] | [kcal/Wh] | [W] | [A] | [kg/h] | | | | | |
| [°C] | [°F] | pe | pc | RGT | Tliq | | | | | | | | | | |
| -7 | 20 | 54 | 35 | 46 | 403,1 | 1377 | 346,9 | 1,61 | 5,49 | 1,38 | 250,7 | 1,51 | 9,87 | ASHRAE MBP | |
| -10 | 14 | 55 | 32 | 55 | 303,8 | 1038 | 261,5 | 1,31 | 4,47 | 1,13 | 231,9 | 1,44 | 8,40 | cecomaf MBP | |
| -10 | 14 | 45 | 20 | 45 | 355,2 | 1213 | 305,7 | 1,63 | 5,56 | 1,40 | 218,3 | 1,39 | 9,41 | EN12900 MBP | |
| -7 | 20 | 49 | 18 | 49 | 383,3 | 1309 | 329,9 | 1,59 | 5,44 | 1,37 | 240,7 | 1,47 | 10,80 | ARI540 MBP | |
| -10 | 14 | 45 | 32 | 45 | 371,4 | 1269 | 319,7 | 1,70 | 5,81 | 1,46 | 218,3 | 1,39 | 9,13 | opt | |
| -25 | -13 | 45 | 32 | 45 | 166,5 | 569 | 143,3 | 1,15 | 3,92 | 0,99 | 145,0 | 1,11 | 4,06 | opt | |

Performance tables

R513A, 220V/60Hz, CSIR, static, VDE, UL, CCC, EAC, KC

| | pe | | Cooling capacity | | | COP | EER | P1 | I | m | |
|------------------|------|------|------------------|---------|----------|-------|----------|-----------|-------|------|--------|
| | [°C] | [°F] | [W] | [Btu/h] | [kcal/h] | [W/W] | [Btu/Wh] | [kcal/Wh] | [W] | [A] | [kg/h] |
| [°C / °F] | -35 | -31 | 81,0 | 277 | 69,7 | 0,84 | 2,85 | 0,72 | 96,9 | 0,93 | 1,97 |
| cond. pressure | -25 | -13 | 166,5 | 569 | 143,3 | 1,15 | 3,92 | 0,99 | 145,0 | 1,11 | 4,06 |
| pc= 45/113 | -15 | 5 | 291,0 | 994 | 250,4 | 1,50 | 5,13 | 1,29 | 193,8 | 1,29 | 7,13 |
| return gas temp. | -10 | 14 | 371,4 | 1269 | 319,7 | 1,70 | 5,81 | 1,46 | 218,3 | 1,39 | 9,13 |
| RGT= 32/90 | -5 | 23 | 466,0 | 1592 | 401,1 | 1,92 | 6,56 | 1,65 | 242,6 | 1,48 | 11,50 |
| liquid temp | 0 | 32 | 576,2 | 1968 | 495,9 | 2,16 | 7,38 | 1,86 | 266,8 | 1,57 | 14,29 |
| Tliq= 45/113 | 7,2 | 45 | 765,2 | 2613 | 658,5 | 2,54 | 8,68 | 2,19 | 301,1 | 1,70 | 19,14 |
| [°C / °F] | -35 | -31 | 50,3 | 172 | 43,3 | 0,58 | 1,99 | 0,50 | 86,2 | 0,88 | 1,37 |
| cond. pressure | -25 | -13 | 127,1 | 434 | 109,4 | 0,88 | 3,02 | 0,76 | 143,6 | 1,10 | 3,48 |
| pc= 55/131 | -15 | 5 | 234,8 | 802 | 202,0 | 1,16 | 3,96 | 1,00 | 202,3 | 1,33 | 6,47 |
| return gas temp | -10 | 14 | 303,8 | 1038 | 261,5 | 1,31 | 4,47 | 1,13 | 231,9 | 1,44 | 8,40 |
| RGT= 32/90 | -5 | 23 | 385,0 | 1315 | 331,3 | 1,47 | 5,03 | 1,27 | 261,6 | 1,55 | 10,69 |
| liquid temp | 0 | 32 | 479,8 | 1639 | 412,9 | 1,65 | 5,63 | 1,42 | 291,1 | 1,66 | 13,40 |
| Tliq= 55/131 | 7,2 | 45 | 643,1 | 2196 | 553,4 | 1,93 | 6,59 | 1,66 | 333,4 | 1,82 | 18,13 |



NL Compressors





Service/Repair – R600a, R290



8545

Brazing on Suction Connectors (Direct Intake)

representative image



**! max. 150°C/302°F !
at socket**
brazing solder: phosphor (LP7) or silver

Refer to Product Bulletin:
**Brazing on Suction Connectors
(Compressors with Direct Suction Intake)**

Secop accepts no responsibility for possible errors in catalogs, brochures, and other printed material. Secop reserves the right to alter its products without notice. This also applies to products already on order provided that such alterations can be made without subsequential changes being necessary to specifications already agreed. All trademarks in this material are the property of the respective companies. Secop and the Secop logotype are trademarks of Secop GmbH. All rights reserved. www.secop.com