

Single Pack NF8.4FX.2 115-127V 60Hz CSIR

Single pack code number: **195B4491**

| Position | Title | Code | Amount |
|----------|---|----------|--------|
| 1 | Compressor NF8.4FX.2 | 105G5918 | 1 |
| 2 | Starting relay (overload protector MRT22AFZ-6) | 117U4129 | 1 |
| 3 | Starting capacitor (280 μ F 125V, 6.3mm) | 117U5025 | 1 |
| 4 | Cord relief | 117U0349 | 2 |
| 5 | Cover | 117U1021 | 1 |
| 6 | Bolt joint for one compressor M6 \varnothing 16mm | 118-1917 | 1 |

Secop GmbH • Lise-Meitner-Straße 29 • 24941 Flensburg, Germany • Tel: +49 461 4941 0 • www.secop.com

Secop accepts no responsibility for possible errors in catalogs, brochures, and other printed material. Secop reserves the right to alter its products without notice. This also applies to products already on order provided that such alterations can be made without subsequent changes being necessary to specifications already agreed. All trademarks in this material are the property of the respective companies. Secop and the Secop logotype are trademarks of Secop GmbH. All rights reserved.

NF8.4FX.2 Standard Compressor R134a 115-127V 60Hz

General

| | |
|-----------------------|----------|
| Code number | 105G5918 |
| Approvals | UL984 |
| Compressors on pallet | 80 |

Application

| Application | LBP/MBP | |
|--|---------|------------------|
| Frequency | Hz | 50 60 |
| Evaporating temperature | °F | - -31 to 45 |
| Voltage range | V | - 95 - 135 |
| Max. condensing temperature continuous (short) | °F | - 140 (158) |
| Max. winding temperature continuous (short) | °F | - 257 (275) |

Cooling requirements

| Frequency | Hz | 50 | | | 60 | | |
|-------------------------|----|-----|-----|-----|----------------|----------------|-----|
| Application | | LBP | MBP | HBP | LBP | MBP | HBP |
| 90°F | | - | - | - | F ₂ | F ₁ | - |
| 100°F | | - | - | - | F ₂ | F ₁ | - |
| 110°F | | - | - | - | F ₂ | F ₁ | - |
| Remarks on application: | | | | | | | |

Motor

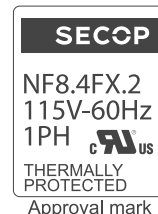
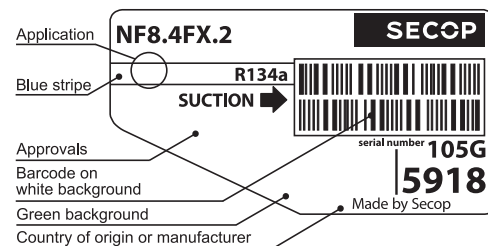
| Motor type | CSIR | |
|---|------|--------------|
| LRA (rated after 4 sec. UL984), HST LST | A | 28.0 - |
| Cut in Current, HST LST | A | 28.0 - |
| Resistance, main start winding (77°F) | Ω | 1.9 6.6 |

Design

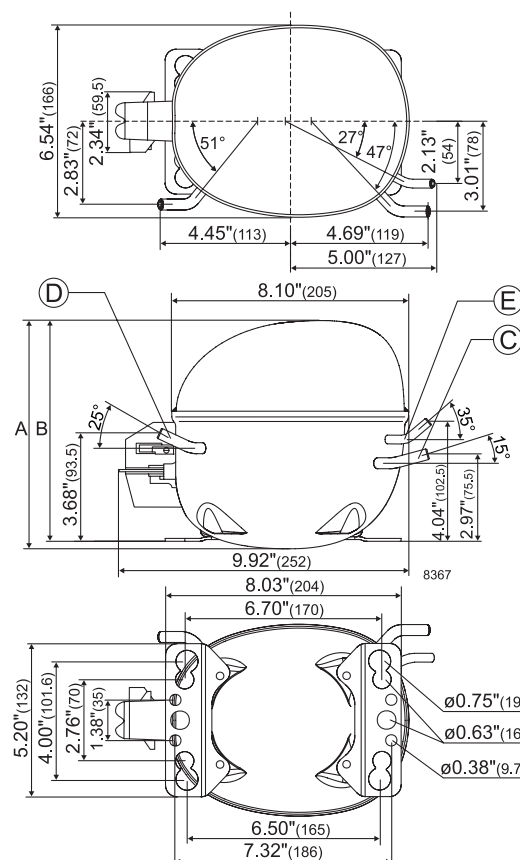
| | | |
|-------------------------------------|--------|--------------------|
| Displacement | cu.in | 0.51 |
| Oil quantity (type) | fl.oz. | 9.13 (polyolester) |
| Maximum refrigerant charge | oz. | 14.0 |
| Free gas volume in compressor | fl.oz. | 79.7 |
| Weight without electrical equipment | lbs. | 22.0 |

Dimensions

| Height | inch | A | 7.76 |
|----------------------|----------------------------|----|----------------------|
| | | B | 7.52 |
| | | B1 | - |
| | | B2 | - |
| Suction connector | location, I.D. in. angle | C | 0.320-0.327 15° |
| | material comment | | Copper Rubber plug |
| Process connector | location, I.D. in. angle | D | 0.252-0.259 25° |
| | material comment | | Copper Rubber plug |
| Discharge connector | location, I.D. in. angle | E | 0.252-0.259 35° |
| | material comment | | Copper Rubber plug |
| Oil cooler connector | location, I.D. in. angle | F | - |
| | material comment | | - |
| Remarks: | | | |



- S = Static cooling normally sufficient
- O = Oil cooling
- F₁ = Fan cooling 1.5 m/s
(compressor compartment temperature equal to ambient temperature)
- F₂ = Fan cooling 3.0 m/s necessary
- SG = Suction gas cooling normally sufficient
- = not applicable in this area



ASHRAE LBP

115V, 60Hz, fan cooling F₁

| | | | | | | | | | | | | | | | | | |
|--------------------|-----|-----|------|------|------|------|------|------|------|------|------|------|------|------|----|----|----|
| Evap. temp. in °F | -49 | -40 | -30 | -20 | -13 | -10 | 0 | 10 | 14 | 20 | 30 | 40 | 41 | 45 | 50 | 59 | 68 |
| Capacity in BTU/h | | | 486 | 729 | 933 | 1030 | 1398 | 1843 | 2044 | 2373 | 2996 | 3724 | 3802 | 4129 | | | |
| Power cons. in W | | | 165 | 208 | 236 | 248 | 286 | 323 | 338 | 361 | 401 | 444 | 448 | 467 | | | |
| Current cons. in A | | | 3.38 | 3.52 | 3.63 | 3.68 | 3.86 | 4.08 | 4.17 | 4.31 | 4.58 | 4.87 | 4.90 | 5.02 | | | |
| EER in BTU/Wh | | | 2.95 | 3.51 | 3.95 | 4.16 | 4.89 | 5.71 | 6.05 | 6.57 | 7.48 | 8.39 | 8.48 | 8.84 | | | |

ASHRAE MBP

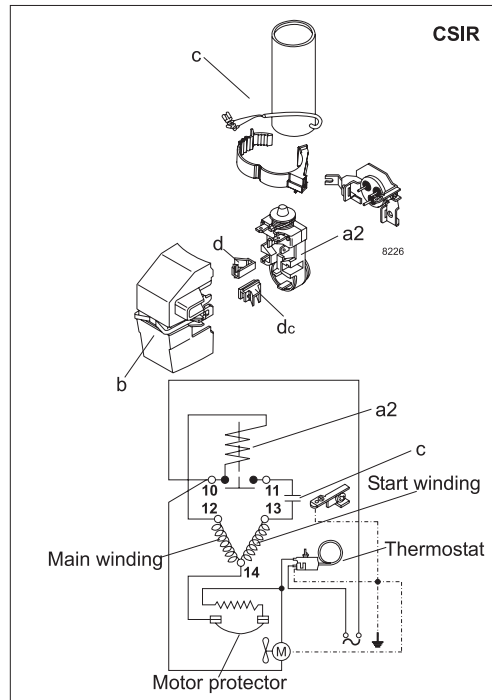
115V, 60Hz, fan cooling F₁

| | | | | | | | | | | | | | | | | | |
|--------------------|-----|-----|------|------|------|------|------|------|------|------|------|------|------|------|----|----|----|
| Evap. temp. in °F | -49 | -40 | -30 | -20 | -13 | -10 | 0 | 10 | 14 | 20 | 30 | 40 | 41 | 45 | 50 | 59 | 68 |
| Capacity in BTU/h | | | 432 | 648 | 829 | 915 | 1243 | 1637 | 1815 | 2106 | 2658 | 3300 | 3370 | 3658 | | | |
| Power cons. in W | | | 165 | 208 | 236 | 248 | 286 | 323 | 338 | 361 | 401 | 444 | 448 | 467 | | | |
| Current cons. in A | | | 3.38 | 3.52 | 3.63 | 3.68 | 3.86 | 4.08 | 4.17 | 4.31 | 4.58 | 4.87 | 4.90 | 5.02 | | | |
| EER in BTU/Wh | | | 2.62 | 3.12 | 3.51 | 3.69 | 4.35 | 5.07 | 5.37 | 5.83 | 6.63 | 7.44 | 7.52 | 7.83 | | | |

EN 12900 Household (CECOMAF)

115V, 60Hz, fan cooling F₁

| | | | | | | | | | | | | | | | | | |
|--------------------|-----|-----|------|------|------|------|------|------|------|------|------|------|------|------|----|----|----|
| Evap. temp. in °F | -49 | -40 | -30 | -20 | -13 | -10 | 0 | 10 | 14 | 20 | 30 | 40 | 41 | 45 | 50 | 59 | 68 |
| Capacity in W | | | 115 | 172 | 221 | 244 | 331 | 436 | 484 | 561 | 709 | 880 | 899 | 975 | | | |
| Power cons. in W | | | 164 | 207 | 236 | 248 | 286 | 324 | 339 | 362 | 402 | 446 | 450 | 469 | | | |
| Current cons. in A | | | 3.38 | 3.52 | 3.63 | 3.68 | 3.87 | 4.08 | 4.18 | 4.32 | 4.59 | 4.88 | 4.91 | 5.03 | | | |
| COP in W/W | | | 0.70 | 0.83 | 0.94 | 0.98 | 1.16 | 1.35 | 1.43 | 1.55 | 1.76 | 1.97 | 2.00 | 2.08 | | | |



| Accessories for NF8.4FX.2 | Figure | Code number | Test conditions | ASHRAE LBP | ASHRAE MBP | EN 12900/CECOMAF |
|--|--------|-------------|--------------------|--------------------|------------|------------------|
| Starting relay 1/4 in. spade connect. | a2 | 117U4129 | Condensing temp. | 130°F | 130°F | 131°F |
| Protector 3/4 in. Texas Instruments | | MRT22AFZ-6 | Ambient temp. | 90°F | 95°F | 90°F |
| Start. capacitor 280 µF 1/4 in. spade connect. | c | 117U5025 | Suction gas temp. | 90°F | 95°F | 90°F |
| Cover | b | 117U1021 | Liquid temperature | 90°F | 115°F | no subcooling |
| Cord relief | d | 117U0349 | | | | |
| Cord relief for capacitor | dc | 117U0349 | | | | |
| Mounting accessories | | | | Code number | | |
| Bolt joint for one comp. Ø: 5/8 in. | | | | 118-1917 | | |
| Bolt joint in quantities Ø: 5/8 in. | | | | 118-1918 | | |
| Snap-on in quantities Ø: 5/8 in. | | | | 118-1919 | | |

Secop accepts no responsibility for possible errors in catalogs, brochures, and other printed material. Secop reserves the right to alter its products without notice. This also applies to products already on order provided that such alterations can be made without consequential changes being necessary to specifications already agreed. All trademarks in this material are the property of the respective companies. Secop and the Secop logotype are trademarks of Secop GmbH. All rights reserved. www.secop.com



8238-23

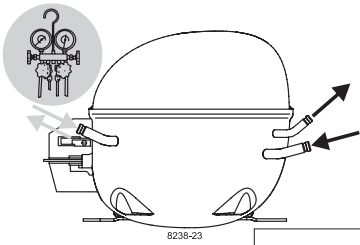
NF Compressors



8230-2



8226-2



8238-23



Secop accepts no responsibility for possible errors in catalogs, brochures, and other printed material. Secop reserves the right to alter its products without notice. This also applies to products already on order provided that such alterations can be made without subsequential changes being necessary to specifications already agreed. All trademarks in this material are the property of the respective companies. Secop and the Secop logotype are trademarks of Secop GmbH. All rights reserved. www.secop.com