

## Single Pack HMK95AA 220-240V 50Hz RSIR

Single pack code number: **195B4542**

Position	Title	Code	Amount
1	Compressor HMK95AA	15853800	1
2	Screw for cable clamp	10636000	1
3	Screw for cable clamp	10636200	1
4	Cover	10636401	1
5	Rubber grommet 16.5mm	10639900	4
6	Sleeve	10640100	4
7	Earth screw	10641201	1
8	Cable clamp	11341000	1
9	Terminal board 4.8mm	15163500	1

**Secop GmbH** • Lise-Meitner-Straße 29 • 24941 Flensburg, Germany • Tel: +49 461 4941 0 • [www.secop.com](http://www.secop.com)

Secop accepts no responsibility for possible errors in catalogs, brochures, and other printed material. Secop reserves the right to alter its products without notice. This also applies to products already on order provided that such alterations can be made without subsequent changes being necessary to specifications already agreed. All trademarks in this material are the property of the respective companies. Secop and the Secop logotype are trademarks of Secop GmbH. All rights reserved.

## Model

Designation	<b>HMK95AA</b>	220-240V/50Hz 1~	Sales code:	<b>15853800</b>
-------------	----------------	------------------	-------------	-----------------

## Compressor design

Oil type	Mineral	Refrigerant(s)	<b>R600a</b>
Oil viscosity	5cST	Displacement	9,6cm <sup>3</sup> / 0,59cu.in
Oil quantity	162cm <sup>3</sup> / 5,5fl.oz	Compressors on pallet	100
Refr. charge - tech. limit	150g / 5,3oz		
Free gas volume comp.	1500cm <sup>3</sup> / 50,7fl.oz		
Weight	7,9kg / 17,4lbs		
Motor protection	external		
Winding resistance main	21,1Ω (at 25°C)		
Winding resistance aux	19,1Ω (at 25°C)		
Max. winding temp.	130°C / 266°F		
Max. discharge temp.	130°C / 266°F		



## General - Configurations with HMK95AA

	<b>Conf. 1</b>
Motorconfiguration	RSIR
Power supply (nominal)	220-240V/50Hz
Number of phases	1
Voltage range	187-264V
Approvals	VDE
Starting torque	LST
Note	Various options of connectors are possible - please contact SECOP-Sales.

## Applications with HMK95AA

	<b>Conf. 1</b>
Refrigerant	R600a
Application	LBP
System cooling	static
Hot gas defrost	-/-
Long interval pull down	-/-

## Electrical data - Configurations with HMK95AA

	<b>Conf. 1</b>
Starting device type	PTC
Run capacitor	-/-
Start capacitor	-/-
LRA (locked rotor amps / 4s/ U(N))	4,6A
RLA (rated load amps / 1s/ U(N))	1A
Cut in current (U(N))	10,1A

## Model

Designation

**HMK95AA**

220-240V/50Hz 1~

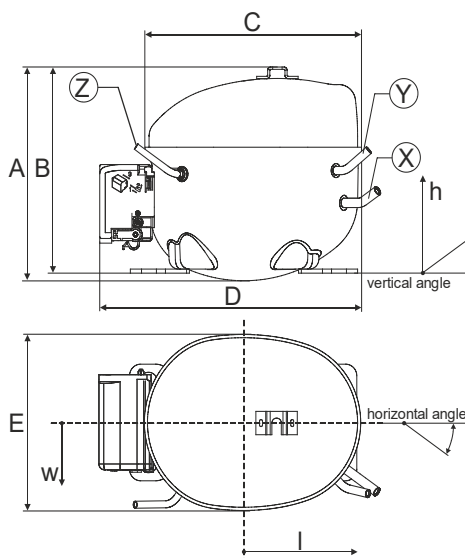
Sales code:

**15853800**

## Compressor dimensions

Housing	A Height	174mm / 6,85in
	B Height	167mm / 6,57in
	C Length shell	194mm / 7,64in
	D Length w. cover	238mm / 9,37in
	E Width	151mm / 5,94in

Connectors		Suction	Discharge	Process
		X	Y	Z
Diameter	[mm]	øi 6,16-6,24	øi 5,1-5,2	øi 6,11-6,29
	(i:inside, o:outside) [in]	øi 0,24-0,25	øi 0,2-0,2	øi 0,24-0,25
Material		copper	copper	copper
Horizontal angle	±2°	54°	35°	45°
Vertical angle	±2°	35°	40°	35°
Position l/h/w	[mm]	120/92/57	112/106/81	-86/94/72
	[in]	4,7/3,6/2,2	4,4/4,2/3,2	-3,4/3,7/2,8
Straight tube l.	[mm]	14	14	14
	[in]	0,5	0,5	0,5



## Compressor fixation



Baseplate	[mm]	[inch]
BI	204	8.03
Bw	100	3.94
Small holes	[mm]	[inch]
SI	170	6.7
Sw	70	2.76
S2l	178	7
øS	ø 16	ø 0.63

## Bolt joint



## Snap-on



## Mounting accessories

'4ZN' with rubber grommet

order code

772N

'4ZN' with rubber grommet and sleeve for M6

768N

Bolt joint kit

4ZN + 118-1917 (18)

'4ZN' with Snap on kit

776N

## Application notes

Provision for PE Grounding is located at the PE Stamp on the compressor

Housing with dip-tray fixture (omega bracket).

Various options of connectors are possible - please contact SECOP-Sales.

### Model

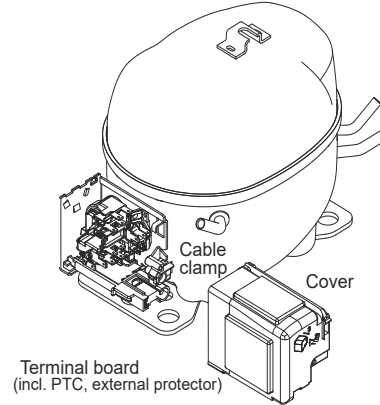
Designation	<b>HMK95AA</b>	<b>220-240V/50Hz</b>	Conf. 1	Sales code:	<b>15853800</b>
-------------	----------------	----------------------	---------	-------------	-----------------

### Configuration

Motorconfiguration	RSIR
Power supply (nominal)	220-240V/50Hz 1~
Refrigerant	R600a
Application	LBP
Voltage range	187-264V
Starting torque	LST
Approvals	VDE

### Electrical accessories / wiring diagram

RSIR

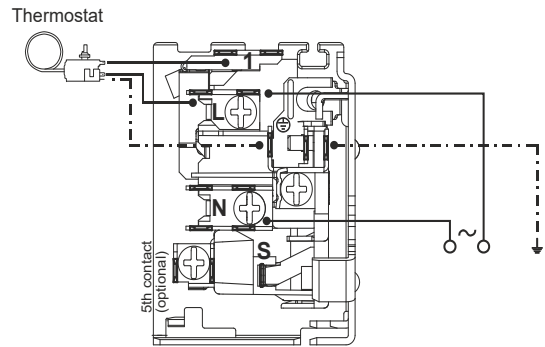


### Ambient/ machine room temperatures minimum /maximum

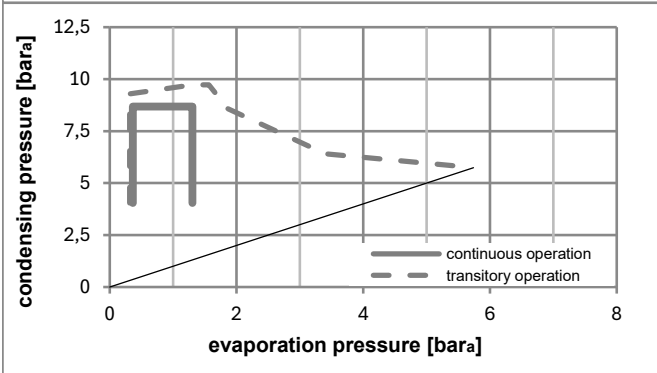
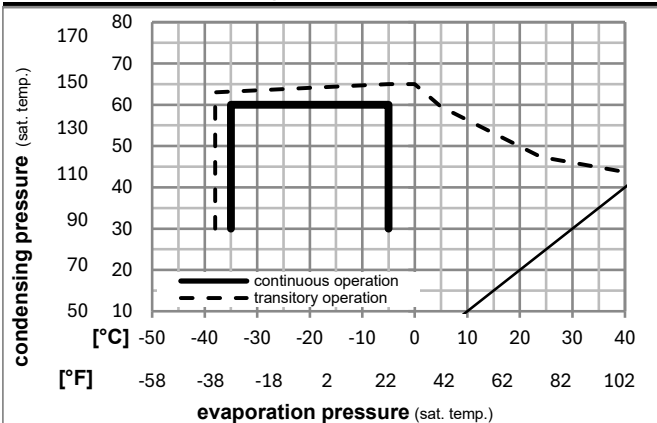
Ambient temperature range: 10 - 43°C / 50 - 110°F

Machine room temperature range: 10 - 48°C / 50 - 119°F

Compressor cooling: static



### Operation pressure range



### Components

. terminal board (PTC, 4.8mm)	15163500
b cover terminal board	10636401
. cable clamp	11341000
. screw - uni6954	10636000
. screw - uni6954	10636200
. screw uni en iso 4757	10641201

### Alternative components

. terminal board (PTC, 6.3mm)	15279300
-------------------------------	----------

## Model

Designation **HMK95AA** **220-240V/50Hz** Conf. 1 Sales code: **15853800**

## Optimization + standard conditions

R600a, 220V/50Hz, RSIR, static, VDE

	Evaporating pressure (saturation temperature)				Cooling capacity			COP	EER	P1	Power consumption		ASHRAE LBP
	pe	pc	RGT	Tliq	[W]	[Btu/h]	[kcal/h]				I	m	
[°C]	[°C]	[°C]	[°C]	[W]	[Btu/h]	[kcal/h]	[W/W]	[Btu/Wh]	[kcal/Wh]	[W]	[A]	[kg/h]	
[°F]	[°F]	[°F]	[°F]	[W]	[Btu/h]	[kcal/h]	[W/W]	[Btu/Wh]	[kcal/Wh]	[W]	[A]	[kg/h]	
-23	54	32	32	166,9	570	143,6	1,53	5,22	1,31	109,3	0,76	1,79	ASHRAE LBP
-10	130	90	90										
-25	55	32	55	125,0	427	107,6	1,19	4,07	1,02	105,0	0,74	1,63	cecomaf LBP
-13	131	90	131										
-35	40	20	40	72,9	249	62,7	0,99	3,38	0,85	73,7	0,63	0,89	EN12900 LBP
-31	104	68	104										
-23	49	4,4	49	134,4	459	115,7	1,28	4,38	1,10	104,7	0,75	1,96	ARI540 LBP
-10	120	40	120										
-23	41	32	32	175,0	598	150,6	1,77	6,04	1,52	99,0	0,74	1,88	AHAM LBP
-10	105	90	90										
-35	45	32	45	72,5	248	62,4	0,96	3,29	0,83	75,4	0,62	0,86	opt
-31	113	90	113										

## Performance tables

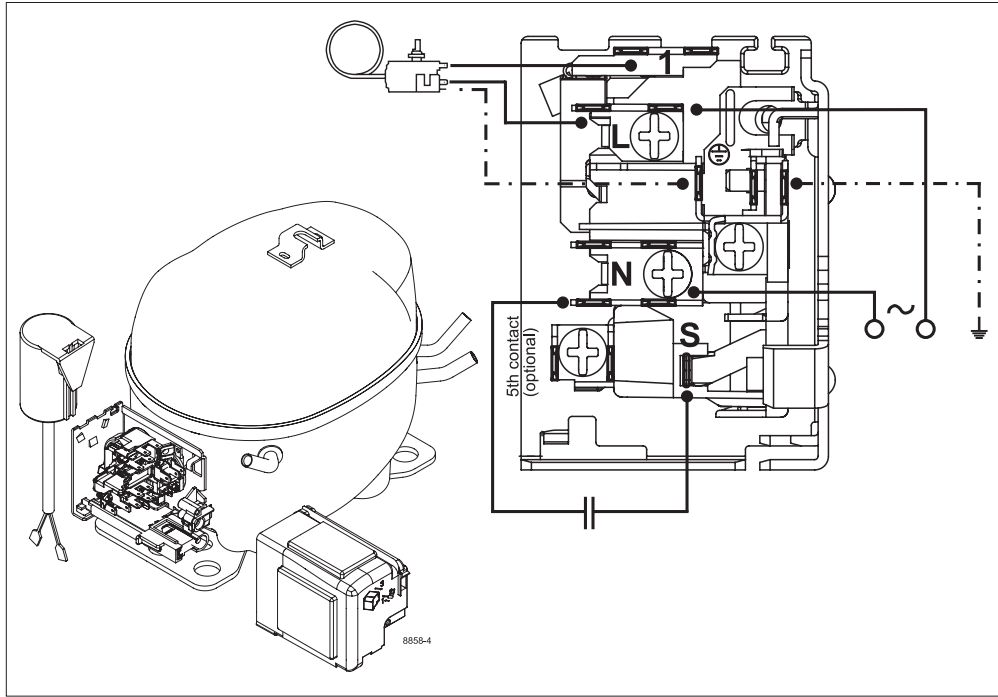
R600a, 220V/50Hz, RSIR, static, VDE

	pe		Cooling capacity			COP	EER		P1	I	m
	[°C]	[°F]	[W]	[Btu/h]	[kcal/h]		[Btu/Wh]	[kcal/Wh]			
[°C / °F]	-35	-31	72,5	248	62,4	0,96	3,29	0,83	75,4	0,62	0,86
cond. pressure	-30	-22	104,4	357	89,9	1,21	4,12	1,04	86,5	0,67	1,24
pc= 45/113	-25	-13	141,8	484	122,1	1,45	4,94	1,25	98,0	0,73	1,69
return gas temp.	-23	-10	155,8	532	134,1	1,53	5,22	1,31	102,0	0,75	1,86
RGT= 32/90	-20	-4	184,7	631	158,9	1,68	5,75	1,45	109,7	0,78	2,20
liquid temp	-15	5	233,0	796	200,5	1,92	6,56	1,65	121,2	0,84	2,78
Tliq= 45/113	-5	23	345,9	1181	297,7	2,41	8,23	2,08	143,5	0,96	4,15
[°C / °F]	-35	-31	66,7	228	57,4	0,85	2,89	0,73	78,9	0,60	0,87
cond. pressure	-30	-22	92,9	317	79,9	1,02	3,47	0,87	91,4	0,67	1,21
pc= 55/131	-25	-13	125,0	427	107,6	1,19	4,07	1,02	105,0	0,74	1,63
return gas temp	-23	-10	137,3	469	118,1	1,25	4,27	1,08	109,8	0,77	1,79
RGT= 32/90	-20	-4	163,0	557	140,3	1,36	4,66	1,17	119,5	0,81	2,13
liquid temp	-15	5	207,0	707	178,2	1,54	5,25	1,32	134,8	0,89	2,71
Tliq= 55/131	-5	23	312,6	1067	269,0	1,88	6,41	1,61	166,6	1,04	4,11



# K-Series Compressors

## GTK, HKK, HMK, HTK, HXK, HZK

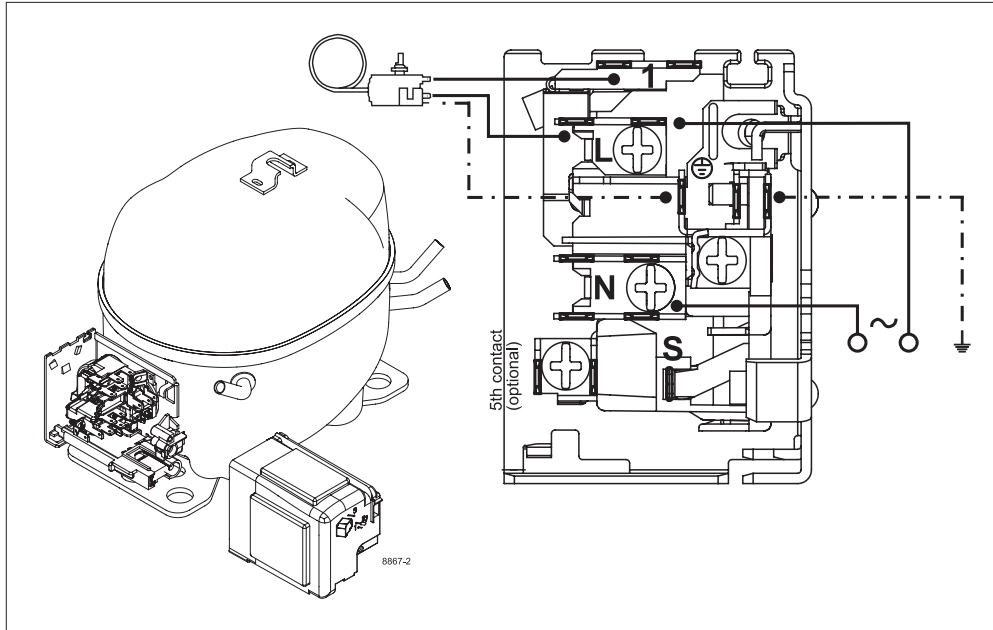


### Service/Repair – R600a



# K-Series Compressors

## GTK, HKK, HMK, HTK, HXK, HZK



### Service/Repair – R600a

Secop accepts no responsibility for possible errors in catalogs, brochures, and other printed material. Secop reserves the right to alter its products without notice. This also applies to products already on order provided that such alterations can be made without subsequential changes being necessary to specifications already agreed. All trademarks in this material are the property of the respective companies. Secop and the Secop logotype are trademarks of Secop GmbH. All rights reserved. [www.secop.com](http://www.secop.com)