

Single Pack NL9CLX 220-240V 50Hz CSIR

Single pack code number: **195B4564**

Position	Title	Code	Amount
1	Compressor NL9CLX	105F3802	1
2	Starting relay	117U6016	1
3	Starting capacitor (80 μ F 220V, 6.3mm)	117U5015	1
4	Cord relief	103N1010	1
5	Cover	103N2011	1
6	Bolt joint for one compressor M6 \varnothing 16mm	118-1917	1

Secop GmbH • Lise-Meitner-Straße 29 • 24941 Flensburg, Germany • Tel: +49 461 4941 0 • www.secop.com

Secop accepts no responsibility for possible errors in catalogs, brochures, and other printed material. Secop reserves the right to alter its products without notice. This also applies to products already on order provided that such alterations can be made without subsequent changes being necessary to specifications already agreed. All trademarks in this material are the property of the respective companies. Secop and the Secop logotype are trademarks of Secop GmbH. All rights reserved.

Model

Designation	NL9CLX	220-240V/50Hz 1~	Sales code:	105F3802
-------------	---------------	-------------------------	-------------	-----------------

Compressor design

Oil type	Polyolester	Refrigerant(s)	R404A, R507
Oil viscosity	32cST	Displacement	8,35cm ³ / 0,51cu.in
Oil quantity	298cm ³ / 10,1fl.oz	Compressors on pallet	80
Refr. charge - tech. limit	600g / 21,2oz		
Free gas volume comp.	2310cm ³ / 78,1fl.oz		
Weight	10,4kg / 22,9lbs		
Motor protection	1# internal		
Winding resistance main	6,1Ω (at 25°C)		
Winding resistance aux	16Ω (at 25°C)		
Max. winding temp.	125°C / 257°F		
Max. discharge temp.	130°C / 266°F		



General - Configurations with NL9CLX

	Conf. 1
Motorconfiguration	CSIR
Power supply (nominal)	220-240V/50Hz
Number of phases	1
Voltage range	198-254V
Approvals	CCC
Starting torque	HST
Note	- / -

Applications with NL9CLX

	Conf. 1
Refrigerant	R404A
Application	LBP
System cooling	fan 3m/s
Hot gas defrost	- / -
Long interval pull down	- / -

Electrical data - Configurations with NL9CLX

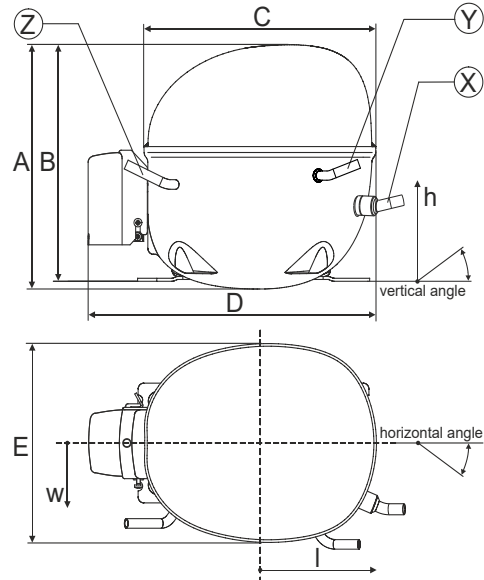
	Conf. 1
Starting device type	relay
Run capacitor	- / -
Start capacitor	80μF
LRA (locked rotor amps / 4s)	13,7A
RLA (rated load amps / 1s)	2,5A
Cut in current	13,7A

Model

Designation	NL9CLX	220-240V/50Hz 1~	Sales code:	105F3802
-------------	---------------	------------------	-------------	-----------------

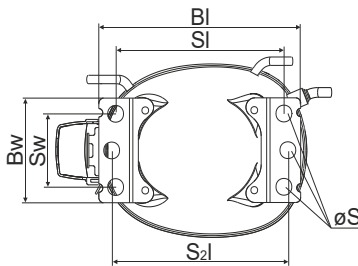
Compressor dimensions

Housing	A Height	203mm / 7,99in
	B Height	197mm / 7,76in
	C Length shell	205mm / 8,07in
	D Length w. cover	254mm / 10in
	E Width	166mm / 6,54in



Connectors		Suction	Discharge	Process
		X	Y	Z
Diameter	[mm]	øi 8,11-8,29	øi 6,11-6,29	øi 6,11-6,29
(i:inside, o:outside)	[in]	øi 0,32-0,33	øi 0,24-0,25	øi 0,24-0,25
Material		copper	copper	copper
Horizontal angle	±2°	0°	0°	0°
Vertical angle	±2°	15°	35°	155°
Position l/h/w	[mm]	126/76/78	133/103/54	-107/94/72
	[in]	4,9/3/3,1	5,2/4/2,1	-4,2/3,7/2,8
Straight tube l.	[mm]	12	12	12
	[in]	0,5	0,5	0,5

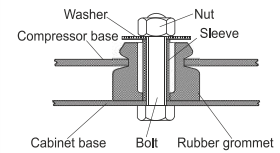
Compressor fixation



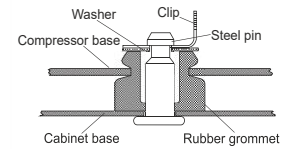
Baseplate	[mm]	[inch]
Bi	204	8.03
Bw	100	3.94

Small holes	[mm]	[inch]
Si	170	6.7
Sw	70	2.76
S2l	178	7
øS	ø 16	ø 0.63

Bolt joint



Snap-on



Mounting accessories	one comp.	multi pack
Bolt joint M6 ø16mm	118-1917	118-1918
Bolt joint ø1/4" ø16mm	118-1946	
Bolt joint ø1/4" ø19mm	118-1949	
Snap-on ø7,3 ø16mm	118-1947	118-1919

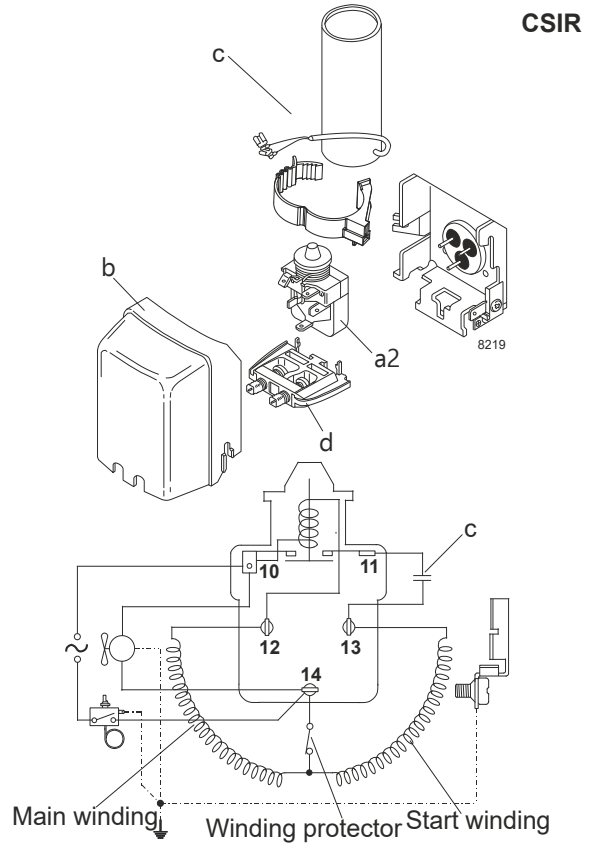
Model

Designation	NL9CLX	220-240V/50Hz	Conf. 1	Sales code:	105F3802
-------------	---------------	----------------------	----------------	-------------	-----------------

Configuration

Motorconfiguration	CSIR
Power supply (nominal)	220-240V/50Hz 1~
Refrigerant	R404A
Application	LBP
Voltage range	198-254V
Starting torque	HST
Approvals	CCC

Electrical accessories / wiring diagram

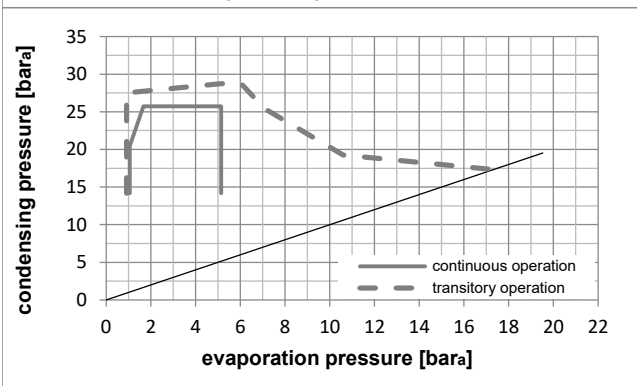
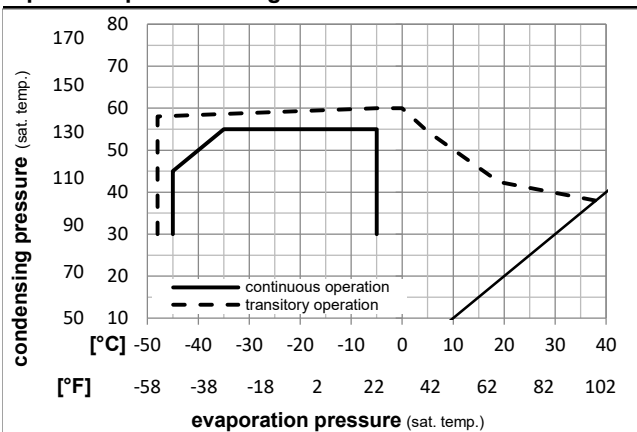


Ambient temperatures / system cooling

Ambient temperature min.:	10°C / 50°F
Ambient temperature max.:	43°C / 110°F

System cooling (n/a: outside limits)			
T ambient	LBP	MBP	HBP
32°C / 90°F	fan 3m/s	n/a	n/a
38°C / 100°F	fan 3m/s	n/a	n/a
43°C / 110°F	n/a	n/a	n/a

Operation pressure range



Components

a2	assy. relay	117U6003
c	start capacitor (80µF)	117U5015
b	plastic cover	103N2010
d	cord relief	103N1010

Alternative components

b	plastic cover	103N2011
---	---------------	----------

Model

Designation	NL9CLX	220-240V/50Hz	Conf. 1	Sales code:	105F3802
-------------	---------------	----------------------	----------------	-------------	-----------------

Optimization + standard conditions

R404A, 220V/50Hz, CSIR, fan 3m/s, CCC

		Evaporating pressure (saturation temperature)				Condensing pressure (saturation temperature)					Power consumption								
						Return gas temp.					Current consumption								
						Liquid temp.					Ref. mass flow								
						Cooling capacity					COP				EER	P1	I	m	
		pe	pc	RGT	Tliq	[W]	[Btu/h]	[kcal/h]	[W/W]	[Btu/Wh]	[kcal/Wh]	[W]	[A]	[kg/h]					
[°C]	-23,3	54,4	32,2	32,2	456,1	1558	392,6	1,34	4,57	1,15	340,9	2,11	10,63	ASHRAE LBP					
[°F]	-10	130	90	90															
[°C]	-25	55	32	55	310,0	1059	266,8	0,95	3,24	0,82	326,4	2,06	9,69	cecomaf LBP					
[°F]	-13	131	89,6	131															
[°C]	-35	40	20	40	244,0	833	209,9	1,02	3,49	0,88	238,4	1,78	6,63	EN12900 LBP					
[°F]	-31	104	68	104															
[°C]	-23,3	48,9	4,44	48,9	338,7	1157	291,5	1,02	3,47	0,88	333,1	2,08	11,99	ARI540 LBP					
[°F]	-10	120	40	120															
[°C]	-23,3	40,6	32,2	32,2	510,9	1745	439,7	1,60	5,46	1,38	319,7	2,04	11,90	AHAM LBP					
[°F]	-10	105	90	90															
[°C]	-35	45	32	45	229,9	785	197,8	0,96	3,26	0,82	240,6	1,79	6,15	opt					
[°F]	-31	113	89,6	113															

Performance tables

R404A, 220V/50Hz, CSIR, fan 3m/s, CCC

	pe	Cooling capacity				COP			EER		P1	I	m
	[°C]	[°F]	[W]	[Btu/h]	[kcal/h]	[W/W]	[Btu/Wh]	[kcal/Wh]	[W]	[A]	[kg/h]		
[°C / °F]	-45	-49	129,4	442	111,4	0,72	2,46	0,62	179,7	1,64	3,44		
cond. pressure	-35	-31	229,9	785	197,8	0,96	3,26	0,82	240,6	1,79	6,15		
pc= 45/113	-30	-22	303,6	1037	261,3	1,10	3,75	0,95	276,2	1,90	8,15		
return gas temp.	-25	-13	393,2	1343	338,4	1,25	4,27	1,08	314,2	2,02	10,61		
RGT= 32/90	-20	-4	498,9	1704	429,3	1,41	4,82	1,21	353,5	2,16	13,54		
liquid temp	-15	5	620,8	2120	534,3	1,58	5,39	1,36	393,2	2,30	16,96		
Tliq= 45/113	-5	23	914,3	3122	786,8	1,94	6,64	1,67	470,6	2,62	25,42		
[°C / °F]	-45	-49	89,8	307	77,3	0,51	1,73	0,44	176,9	1,62	2,76		
cond. pressure	-35	-31	174,4	596	150,1	0,72	2,46	0,62	242,3	1,79	5,39		
pc= 55/131	-30	-22	235,7	805	202,9	0,83	2,85	0,72	282,4	1,91	7,33		
return gas temp	-25	-13	310,0	1059	266,8	0,95	3,24	0,82	326,4	2,06	9,69		
RGT= 32/90	-20	-4	397,4	1357	342,0	1,06	3,64	0,92	373,1	2,23	12,50		
liquid temp	-15	5	498,1	1701	428,6	1,18	4,03	1,02	421,9	2,41	15,80		
Tliq= 55/131	-5	23	740,1	2527	636,9	1,42	4,84	1,22	521,7	2,83	23,95		

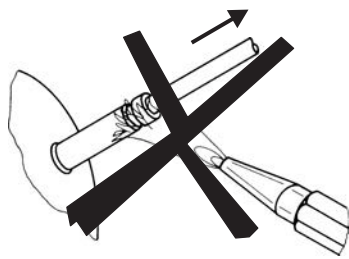


NL Compressors





Service/Repair – R600a, R290



8545

Brazing on Suction Connectors (Direct Intake)

representative image



**! max. 150°C/302°F !
at socket**
brazing solder: phosphor (LP7) or silver

Refer to Product Bulletin:
**Brazing on Suction Connectors
(Compressors with Direct Suction Intake)**

Secop accepts no responsibility for possible errors in catalogs, brochures, and other printed material. Secop reserves the right to alter its products without notice. This also applies to products already on order provided that such alterations can be made without subsequential changes being necessary to specifications already agreed. All trademarks in this material are the property of the respective companies. Secop and the Secop logotype are trademarks of Secop GmbH. All rights reserved. www.secop.com