

## Single Pack GS26MFX 220-240V 50Hz CSCR

Single pack code number: **195B4633**

Position	Title	Code	Amount
1	Compressor GS26MFX	107B0700	1
2	GS starting device (600mm)	117-7055	1
3	Bolt joint for one compressor   M8   ø19mm	107B9150	1

**Secop GmbH** • Lise-Meitner-Straße 29 • 24941 Flensburg, Germany • Tel: +49 461 4941 0 • [www.secop.com](http://www.secop.com)

Secop accepts no responsibility for possible errors in catalogs, brochures, and other printed material. Secop reserves the right to alter its products without notice. This also applies to products already on order provided that such alterations can be made without subsequent changes being necessary to specifications already agreed. All trademarks in this material are the property of the respective companies. Secop and the Secop logotype are trademarks of Secop GmbH. All rights reserved.

**Model**

Designation	<b>GS26MFX</b>	<b>220-240V/50Hz 1~</b>	Sales code:	<b>107B0700</b>
-------------	----------------	-------------------------	-------------	-----------------

**Compressor design**

Oil type	Polyolester	Refrigerant(s)	<b>R134a, R513A</b>
Oil viscosity	32,5cST	Displacement	26,3cm <sup>3</sup> / 1,6cu.in
Oil quantity	902cm <sup>3</sup> / 30,5fl.oz	Compressors on pallet	48
Refr. charge - tech. limit	2000g / 70,5oz		
Free gas volume comp.	3350cm <sup>3</sup> / 113,3fl.oz		
Weight	19,1kg / 42,1lbs		
Motor protection	1# internal		
Winding resistance main	3,7Ω (at 25°C)		
Winding resistance aux	4Ω (at 25°C)		
Max. winding temp.	135°C / 275°F		
Max. discharge temp.	130°C / 266°F		



**General - Configurations with GS26MFX**

	<b>Conf. 1</b>	<b>Conf. 2</b>
Motorconfiguration	CSCR	CSCR
Power supply (nominal)	220-240V/50Hz	220-240V/50Hz
Number of phases	1	1
Voltage range	198-254V	198-254V
Approvals	VDE, CCC	VDE, CCC
Starting torque	HST	HST
Note	Cover, clamp, gasket: pre-assembled to compressor	

**Applications with GS26MFX**

	<b>Conf. 1</b>	<b>Conf. 2</b>
Refrigerant	R134a	R513A
Application	MBP	MBP
System cooling	fan 3m/s	fan 3m/s
Hot gas defrost	OK	OK
Long interval pull down	OK	OK

**Electrical data - Configurations with GS26MFX**

	<b>Conf. 1</b>	<b>Conf. 2</b>
Starting device type	relay	relay
Run capacitor	20μF	20μF
Start capacitor	100μF	100μF
LRA (locked rotor amps / 4s)	20A	20A
RLA (rated load amps / 1s)	3,8A	3,8A
Cut in current	20A	20A
IP class	21	21

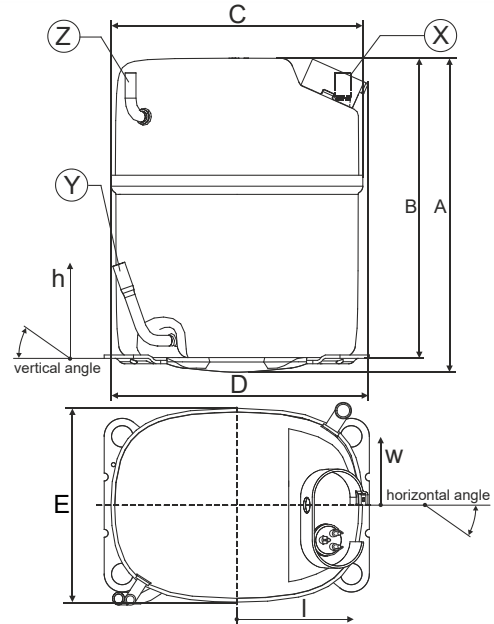
**Model**

Designation	<b>GS26MFX</b>	220-240V/50Hz 1~	Sales code:	<b>107B0700</b>
-------------	----------------	------------------	-------------	-----------------

**Compressor dimensions**

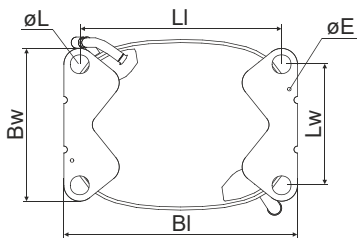
<b>Housing</b>	A Height	259mm / 10,2in
	B Height	247mm / 9,72in
	C Length shell	224mm / 8,82in
	D Length w. cover	232mm / 9,13in
	E Width	173mm / 6,81in

<b>Connectors</b>		<b>Suction</b>	<b>Discharge</b>	<b>Process</b>
		<b>X</b>	<b>Y</b>	<b>Z</b>
Diameter	[mm]	øi 12,75-13,05	øi 8,15-8,25	øi 6,4-6,6
(i:inside, o:outside)	[in]	øi 0,5-0,51	øi 0,32-0,32	øi 0,25-0,26
Material		copper	copper	copper
Horizontal angle	±2°	0°	0°	0°
Vertical angle	±2°	90°	71°	90°
Position l/h/w	[mm]	-95/234/-84	-105/84/-84	95/234/84
	[in]	-3,7/9,2/-3,3	-4,1/3,3/-3,3	3,7/9,2/3,3
Straight tube l.	[mm]	18	23	15
	[in]	0,7	0,9	0,6



**Compressor fixation**

Bolt joint



Baseplate	[mm]	[inch]
BI	235	9.25
Bw	154	6.06
øE	ø 3.6	ø 0.14

Large holes	[mm]	[inch]
LI	203	7.99
LW	122	4.80
øL	ø 19	ø 0.75



**Mounting accessories**

Bolt joint | M8 | ø19mm one comp. 107B9150

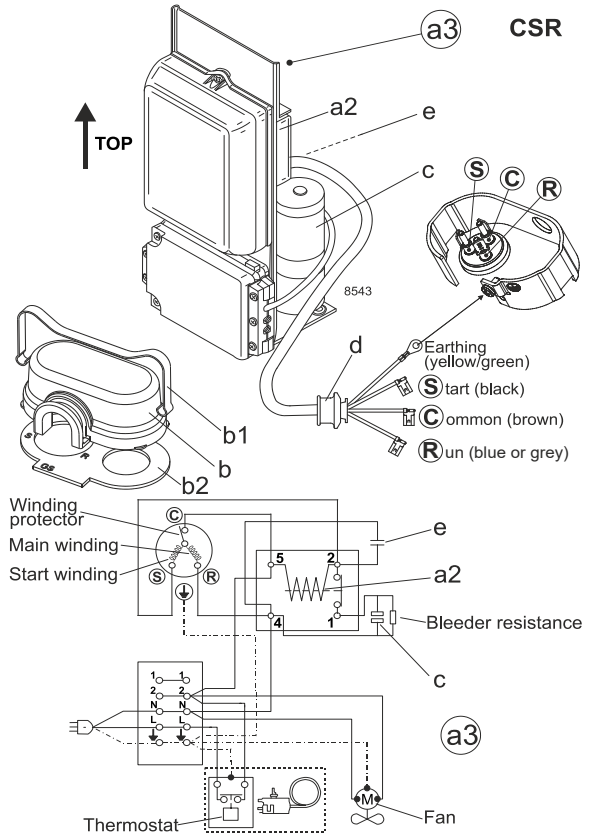
**Model**

Designation	<b>GS26MFX</b>	<b>220-240V/50Hz</b>	<b>Conf. 1</b>	Sales code:	<b>107B0700</b>
-------------	----------------	----------------------	----------------	-------------	-----------------

**Configuration**

Motorconfiguration	CSCR
Power supply (nominal)	220-240V/50Hz 1~
Refrigerant	R134a
Application	MBP
Voltage range	198-254V
Starting torque	HST
Approvals	VDE CCC

**Electrical accessories / wiring diagram**

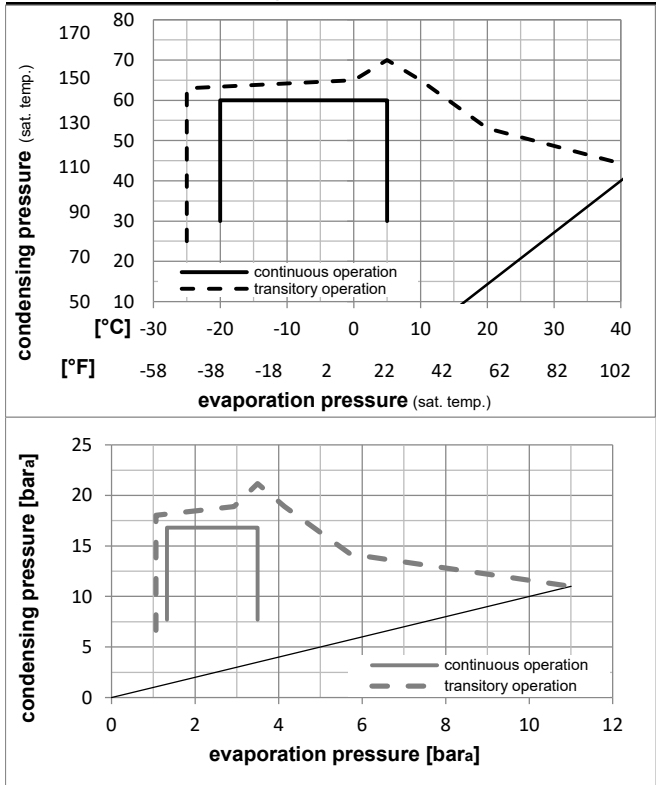


**Ambient temperatures / system cooling**

Ambient temperature min.:	10°C / 50°F
Ambient temperature max.:	43°C / 110°F

System cooling (n/a: outside limits)			
T ambient	LBP	MBP	HBP
32°C / 90°F	n/a	fan 3m/s	n/a
38°C / 100°F	n/a	fan 3m/s	n/a
43°C / 110°F	n/a	fan 3m/s	n/a

**Operation pressure range**



**Components (cover, clamp, gasket: pre assembled)**

a3	GS starter kit (600mm)	117-7055
b	cover	107B9101
b2	gasket	107B9100
b1	clamp	107B9104

**Model**

Designation **GS26MFX 220-240V/50Hz** Conf. 1 Sales code: **107B0700**

**Optimization + standard conditions**

220V/50Hz, CSCR, fan 3m/s, VDE, CCC

Evaporating pressure (saturation temperature)														
Condensing pressure (saturation temperature)														
Return gas temp.														
Liquid temp.														
Cooling capacity														
COP														
EER														
Power consumption														
Current consumption														
Ref. mass flow														
	pe	pc	RGT	Tliq	[W]	[Btu/h]	[kcal/h]	[W/W]	[Btu/Wh]	[kcal/Wh]	P1	I	m	
[°C]	[°C]	[°C]	[°C]	[°C]							[W]	[A]	[kg/h]	
[°F]	20	130	95	115	1448,4	4947	1246,5	1,82	6,23	1,57	794,3	3,69	31,60	ASHRAE MBP
[°C]	-10	55	32	55	1118,3	3819	962,5	1,52	5,20	1,31	735,1	3,42	27,04	cecomaf MBP
[°F]	14	131	89,6	131										
[°C]	-10	45	20	45	1265,5	4322	1089,1	1,82	6,22	1,57	695,3	3,18	29,62	EN12900 MBP
[°F]	14	113	68	113										
[°C]	-6,66	48,9	18,3	48,9	1380,0	4713	1187,6	1,80	6,15	1,55	765,8	3,53	34,09	ARI540 MBP
[°F]	20	120	65	120										
[°C]	-10	45	32	45	1314,1	4488	1131,0	1,89	6,45	1,63	695,3	3,18	28,76	opt
[°F]	14	113	89,6	113										
[°C]	-25	45	32	45	575,5	1965	495,2	1,21	4,14	1,04	474,4	2,32	12,47	opt
[°F]	-13	113	89,6	113										

**Performance tables**

220V/50Hz, CSCR, fan 3m/s, VDE, CCC

	pe		Cooling capacity			COP			EER			P1	I	m
	[°C]	[°F]	[W]	[Btu/h]	[kcal/h]	[W/W]	[Btu/Wh]	[kcal/Wh]	[W]	[A]	[kg/h]			
[°C / °F]	-20	-4	782,1	2671	673,1	1,43	4,89	1,23	545,7	2,57	16,99			
cond. pressure	-15	5	1026,0	3504	883,0	1,66	5,66	1,43	619,3	2,86	22,37			
pc= 45/113	-10	14	1314,1	4488	1131,0	1,89	6,45	1,63	695,3	3,18	28,76			
return gas temp.	-6,7	20	1531,9	5232	1318,3	2,05	7,00	1,76	747,0	3,42	33,63			
RGT= 32/90	-5	23	1653,4	5647	1422,9	2,14	7,29	1,84	774,1	3,55	36,36			
liquid temp	0	32	2050,8	7004	1765,0	2,40	8,18	2,06	856,0	3,94	45,35			
Tliq= 45/113	5	41	2513,8	8585	2163,4	2,67	9,12	2,30	941,1	4,38	55,96			
[°C / °F]	-20	-4	656,9	2244	565,4	1,17	3,99	1,00	562,6	2,63	15,76			
cond. pressure	-15	5	870,2	2972	748,9	1,35	4,60	1,16	646,4	3,01	20,95			
pc= 55/131	-10	14	1118,3	3819	962,5	1,52	5,20	1,31	735,1	3,42	27,04			
return gas temp	-6,7	20	1304,6	4455	1122,8	1,64	5,59	1,41	796,6	3,71	31,65			
RGT= 32/90	-5	23	1408,3	4810	1212,0	1,70	5,80	1,46	829,1	3,86	34,23			
liquid temp	0	32	1747,3	5967	1503,7	1,88	6,43	1,62	928,7	4,35	42,74			
Tliq= 55/131	5	41	2142,6	7317	1844,0	2,07	7,08	1,78	1034,0	4,86	52,80			

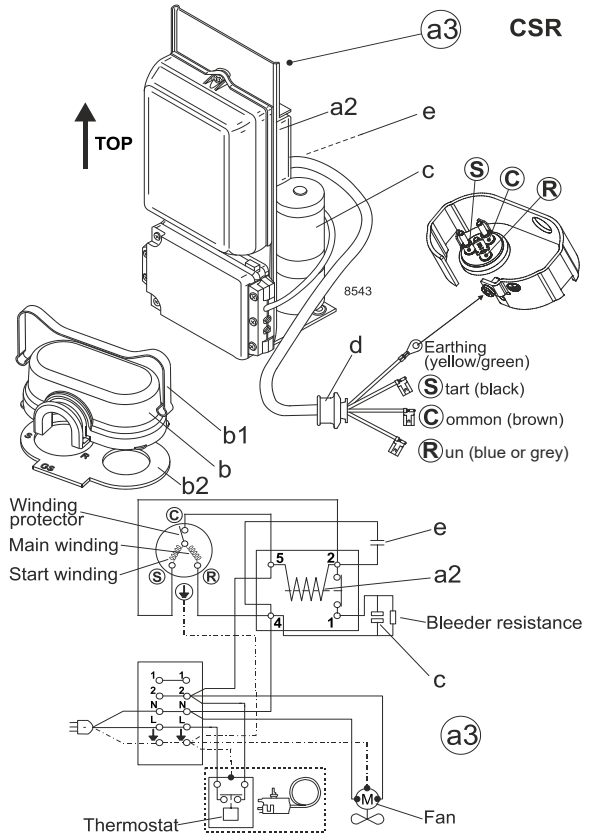
**Model**

Designation	<b>GS26MFX</b>	<b>220-240V/50Hz</b>	<b>Conf. 2</b>	Sales code:	<b>107B0700</b>
-------------	----------------	----------------------	----------------	-------------	-----------------

**Configuration**

Motorconfiguration	CSCR
Power supply (nominal)	220-240V/50Hz 1~
Refrigerant	R513A
Application	MBP
Voltage range	198-254V
Starting torque	HST
Approvals	VDE CCC

**Electrical accessories / wiring diagram**

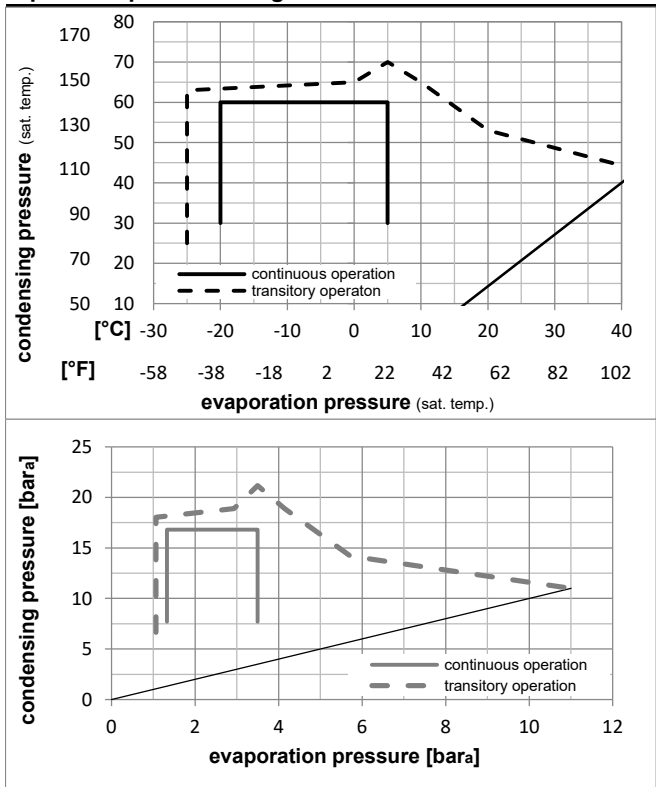


**Ambient temperatures / system cooling**

Ambient temperature min.:	10°C / 50°F
Ambient temperature max.:	43°C / 110°F

System cooling (n/a: outside limits)			
T ambient	LBP	MBP	HBP
32°C / 90°F	n/a	fan 3m/s	n/a
38°C / 100°F	n/a	fan 3m/s	n/a
43°C / 110°F	n/a	fan 3m/s	n/a

**Operation pressure range**



**Components (cover, clamp, gasket: pre assembled)**

a3	GS starter kit (600mm)	117-7055
b	cover	107B9101
b2	gasket	107B9100
b1	clamp	107B9104

**Model**

Designation **GS26MFX 220-240V/50Hz** Conf. **2** Sales code: **107B0700**

**Optimization + standard conditions**

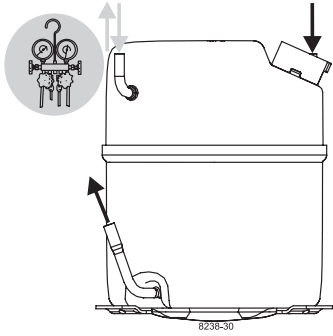
220V/50Hz, CSCR, fan 3m/s, VDE, CCC

Evaporating pressure (saturation temperature)					Condensing pressure (saturation temperature)					Power consumption				
					Return gas temp.					Current consumption				
					Liquid temp.					Ref. mass flow				
					Cooling capacity					COP EER				
	pe	pc	RGT	Tliq	[W]	[Btu/h]	[kcal/h]	[W/W]	[Btu/Wh]	[kcal/Wh]	P1	I	m	
[°C]	[°C]	[°C]	[°C]	[°C]	[W]	[Btu/h]	[kcal/h]	[W/W]	[Btu/Wh]	[kcal/Wh]	[W]	[A]	[kg/h]	
ASHRAE MBP	-6,66	54,4	35	46,1	1535,4	5244	1321,4	1,81	6,18	1,56	848,3	3,97	37,61	
	[°F]	[°F]	[°F]	[°F]	[W]	[Btu/h]	[kcal/h]	[W/W]	[Btu/Wh]	[kcal/Wh]	[W]	[A]	[kg/h]	
cecomaf MBP	-10	55	32	55	1172,9	4006	1009,4	1,49	5,08	1,28	788,7	3,69	32,43	
	[°F]	[°F]	[°F]	[°F]	[W]	[Btu/h]	[kcal/h]	[W/W]	[Btu/Wh]	[kcal/Wh]	[W]	[A]	[kg/h]	
EN12900 MBP	-10	45	20	45	1333,2	4553	1147,4	1,79	6,12	1,54	743,4	3,48	35,34	
	[°F]	[°F]	[°F]	[°F]	[W]	[Btu/h]	[kcal/h]	[W/W]	[Btu/Wh]	[kcal/Wh]	[W]	[A]	[kg/h]	
ARI540 MBP	-6,66	48,9	18,3	48,9	1435,6	4903	1235,5	1,76	6,01	1,51	816,5	3,82	40,45	
	[°F]	[°F]	[°F]	[°F]	[W]	[Btu/h]	[kcal/h]	[W/W]	[Btu/Wh]	[kcal/Wh]	[W]	[A]	[kg/h]	
opt	-10	45	32	45	1395,4	4766	1200,9	1,88	6,41	1,62	743,4	3,48	34,31	
	[°F]	[°F]	[°F]	[°F]	[W]	[Btu/h]	[kcal/h]	[W/W]	[Btu/Wh]	[kcal/Wh]	[W]	[A]	[kg/h]	
opt	-25	45	32	45	634,1	2165	545,7	1,22	4,16	1,05	520,0	2,46	15,45	
	[°F]	[°F]	[°F]	[°F]	[W]	[Btu/h]	[kcal/h]	[W/W]	[Btu/Wh]	[kcal/Wh]	[W]	[A]	[kg/h]	

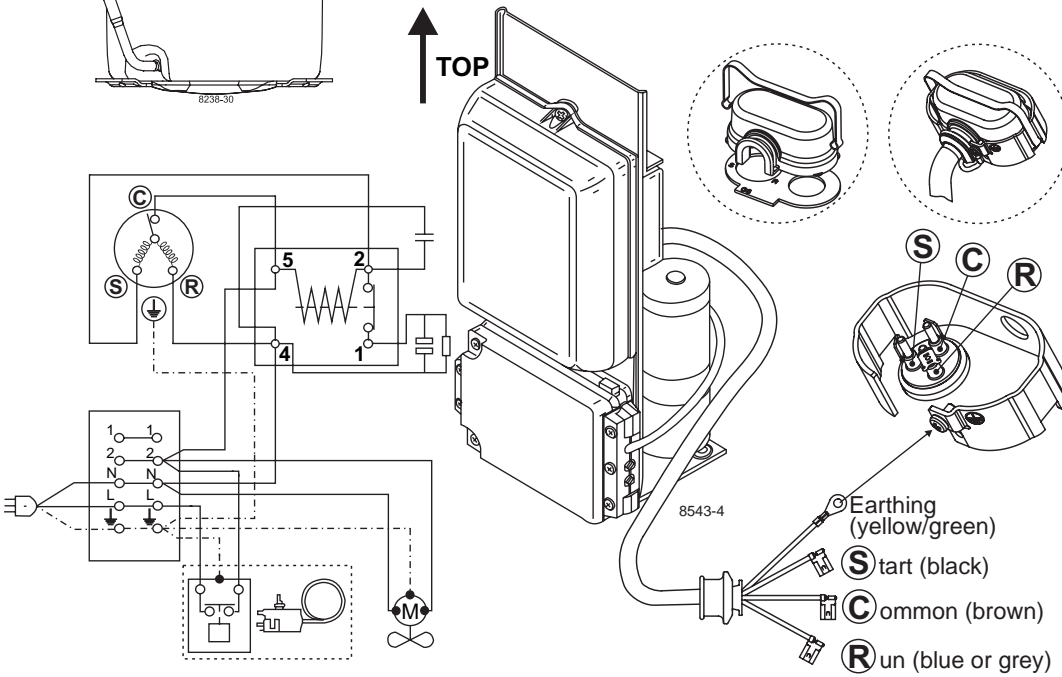
**Performance tables**

220V/50Hz, CSCR, fan 3m/s, VDE, CCC

	pe	Cooling capacity			COP	EER	P1	I	m		
	[°C]	[°F]	[W]	[Btu/h]	[kcal/h]	[W/W]	[Btu/Wh]	[kcal/Wh]	[W]	[A]	[kg/h]
[°C / °F]	-20	-4	849,2	2900	730,8	1,43	4,90	1,23	592,2	2,79	20,75
cond. pressure	-15	5	1100,8	3759	947,4	1,65	5,64	1,42	666,5	3,13	26,97
pc= 45/113	-10	14	1395,4	4766	1200,9	1,88	6,41	1,62	743,4	3,48	34,31
return gas temp.	-6,7	20	1616,5	5521	1391,2	2,03	6,94	1,75	795,6	3,72	39,85
RGT= 32/90	-5	23	1739,4	5940	1496,9	2,11	7,22	1,82	823,1	3,85	42,94
liquid temp	0	32	2139,4	7306	1841,2	2,36	8,07	2,03	905,9	4,23	53,06
Tliq= 45/113	5	41	2602,0	8886	2239,3	2,62	8,96	2,26	992,1	4,63	64,90
[°C / °F]	-20	-4	707,0	2415	608,4	1,15	3,93	0,99	614,5	2,89	19,41
cond. pressure	-15	5	923,5	3154	794,8	1,32	4,51	1,14	698,9	3,28	25,44
pc= 55/131	-10	14	1172,9	4006	1009,4	1,49	5,08	1,28	788,7	3,69	32,43
return gas temp	-6,7	20	1358,8	4640	1169,4	1,60	5,45	1,37	851,0	3,98	37,68
RGT= 32/90	-5	23	1461,8	4992	1258,1	1,65	5,65	1,42	884,1	4,13	40,61
liquid temp	0	32	1796,8	6137	1546,4	1,82	6,23	1,57	985,5	4,60	50,18
Tliq= 55/131	5	41	2184,7	7461	1880,1	2,00	6,83	1,72	1093,1	5,09	61,39



# GS Compressors



	S	C	R
ENGLISH	Black	Brown	Blue or grey
DEUTSCH	Schwarz	Braun	Blau od. grau
FRANÇAIS	Noir	Marron	Bleu ou gris
ESPAÑOL	Negro	Marrón	Azul o gris
ITALIANO	Nero	Marrone	Blu o grigio
NEDERLANDS	Zwart	Bruin	Blauw of grijs
DANSK	Sort	Brun	Blå eller grå
SVENSKA	Svart	Brun	Blå eller grå
SUOMEKSI	Musta	Ruskea	Sininen tai harmaa
РУССКИЙ	Чёрный	Коричневый	Синий или серый
中文	黑色	棕色	蓝色或灰色

Secop accepts no responsibility for possible errors in catalogs, brochures, and other printed material. Secop reserves the right to alter its products without notice. This also applies to products already on order provided that such alterations can be made without consequential changes being necessary to specifications already agreed. All trademarks in this material are the property of the respective companies. Secop and the Secop logotype are trademarks of Secop GmbH. All rights reserved. [www.secop.com](http://www.secop.com)