

## Single Pack HXK70AA 220-240V 50Hz RSIR

Single pack code number: **195B4657**

Position	Title	Code	Amount
1	Compressor HXK70AA	16363600	1
2	Screw for cable clamp	10636000	1
3	Screw for cable clamp	10636200	1
4	Cover	10636401	1
5	Earth screw	10641201	1
6	Cable clamp	11341000	1
7	e-PTC starting device (240V, overload protector AE25FJ6)	15624200	1

**Secop GmbH** • Lise-Meitner-Straße 29 • 24941 Flensburg, Germany • Tel: +49 461 4941 0 • [www.secop.com](http://www.secop.com)

Secop accepts no responsibility for possible errors in catalogs, brochures, and other printed material. Secop reserves the right to alter its products without notice. This also applies to products already on order provided that such alterations can be made without subsequent changes being necessary to specifications already agreed. All trademarks in this material are the property of the respective companies. Secop and the Secop logotype are trademarks of Secop GmbH. All rights reserved.

## Model

Designation	<b>HXK70AA</b>	220-240V/50Hz 1~	Sales code:	<b>16363600</b>
-------------	----------------	------------------	-------------	-----------------

## Compressor design

Oil type	Mineral	Refrigerant(s)	<b>R600a</b>
Oil viscosity	5cST	Displacement	6,64cm <sup>3</sup> / 0,41cu.in
Oil quantity	162cm <sup>3</sup> / 5,5fl.oz	Compressors on pallet	100
Refr. charge - tech. limit	150g / 5,3oz		
Free gas volume comp.	1660cm <sup>3</sup> / 56,1fl.oz		
Weight	8,2kg / 18,1lbs		
Motor protection	external		
Winding resistance main	37,1Ω (at 25°C)		
Winding resistance aux	28,9Ω (at 25°C)		
Max. winding temp.	130°C / 266°F		
Max. discharge temp.	130°C / 266°F		



## General - Configurations with HXK70AA

	Conf. 1	Conf. 2	Conf. 3	Conf. 4
Motorconfiguration	eRSCR	eRSCR	RSCR	RSCR
Power supply (nominal)	220-240V/50Hz	220-240V/50Hz	220-240V/50Hz	220-240V/50Hz
Number of phases	1	1	1	1
Voltage range	187-264V	187-264V	187-264V	187-264V
Approvals	VDE	VDE	VDE	VDE
Starting torque	LST	LST	LST	LST
Note	Various options of connectors are possible - please contact SECOP-Sales.			

## Applications with HXK70AA

	Conf. 1	Conf. 2	Conf. 3	Conf. 4
Refrigerant	R600a	R600a	R600a	R600a
Application	LBP	LBP	LBP	LBP
System cooling	static	static	static	static
Hot gas defrost	-/-	-/-	-/-	-/-
Long interval pull down	-/-	-/-	-/-	-/-

## Electrical data - Configurations with HXK70AA

	Conf. 1	Conf. 2	Conf. 3	Conf. 4
Starting device type	e-PTC	e-PTC	PTC	PTC
Run capacitor	3μF	3μF	3μF	3μF
Start capacitor	-/-	-/-	-/-	-/-
LRA (locked rotor amps / 4s/ U(N))				
RLA (rated load amps / 1s/ U(N))	-/A	-/A	-/A	-/A
Cut in current (U(N))				

## Model

Designation

**HXK70AA**

220-240V/50Hz 1~

Sales code:

**16363600**

## Compressor dimensions

Housing	A Height	182mm / 7,17in
	B Height	175mm / 6,89in
	C Length shell	194mm / 7,64in
	D Length w. cover	238mm / 9,37in
	E Width	151mm / 5,94in

Connectors		Suction	Discharge	Process
		X	Y	Z
Diameter	[mm]	øi 6,16-6,24	øi 5,1-5,2	øi 6,11-6,29
	(i:inside, o:outside) [in]	øi 0,24-0,25	øi 0,2-0,2	øi 0,24-0,25
Material		copper	copper	copper
Horizontal angle	±2°	54°	35°	45°
Vertical angle	±2°	35°	40°	35°
Position l/h/w	[mm]	120/92/57	112/106/81	-86/94/72
	[in]	4,7/3,6/2,2	4,4/4,2/3,2	-3,4/3,7/2,8
Straight tube l.	[mm]	14	14	14
	[in]	0,5	0,5	0,5



## Compressor fixation



Baseplate	[mm]	[inch]
BI	204	8.03
Bw	100	3.94
Small holes	[mm]	[inch]
SI	170	6.7
Sw	70	2.76
S2l	178	7
øS	ø 16	ø 0.63

### Bolt joint



### Snap-on



## Mounting accessories

'4ZN' with rubber grommet

'4ZN' with rubber grommet and sleeve for M6

Bolt joint kit

'4ZN' with Snap on kit

order code

772N

768N

4ZN + 118-1917 (18)

776N

## Application notes

Provision for PE Grounding is located at the PE Stamp on the compressor

Various options of connectors are possible - please contact SECOP-Sales.

### Model

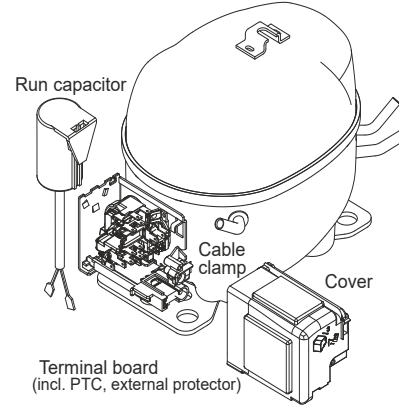
Designation	<b>HXK70AA</b>	<b>220-240V/50Hz</b>	Conf. 1	Sales code:	<b>16363600</b>
-------------	----------------	----------------------	---------	-------------	-----------------

### Configuration

Motorconfiguration	eRSCR
Power supply (nominal)	220-240V/50Hz 1~
Refrigerant	R600a
Application	LBP
Voltage range	187-264V
Starting torque	LST
Approvals	VDE

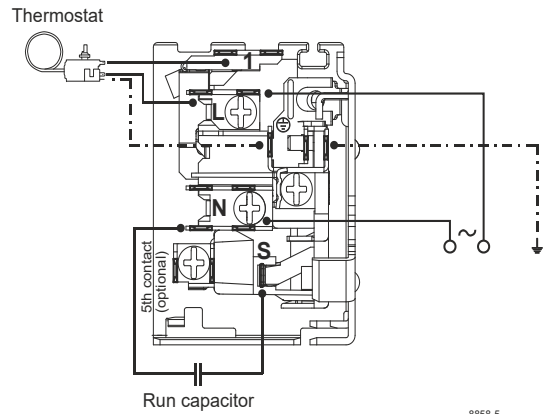
### Electrical accessories / wiring diagram

**RSCR**

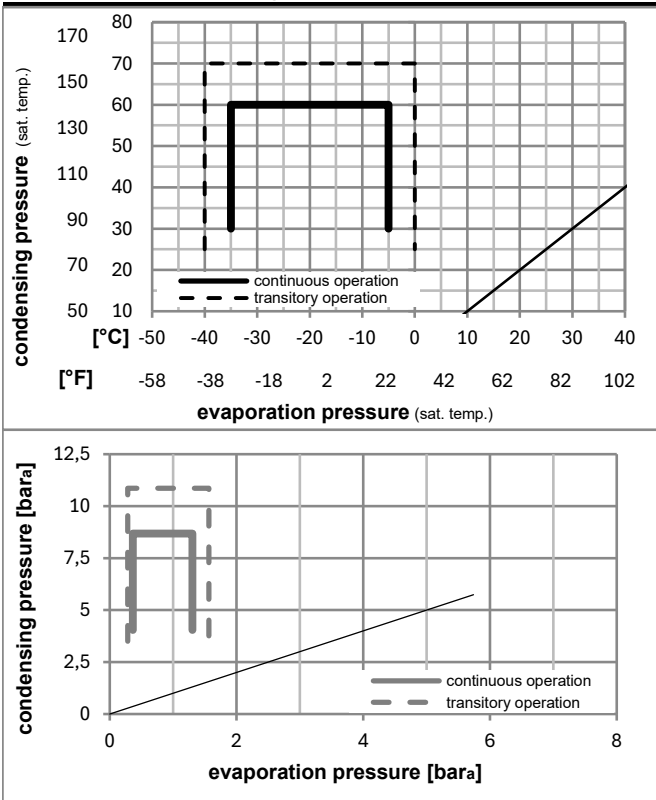


### Ambient/ machine room temperatures minimum /maximum

Ambient temperature range:	10 - 43°C / 50 - 110°F
Machine room temperature range:	10 - 48°C / 50 - 119°F
Compressor cooling:	static



### Operation pressure range



### Components

. terminal board (e-PTC, 4.8mm)	15624200
. run capacitor (3μF, 4.8mm)	10692902
b cover terminal board	10636401
. Cable clamp (screws not included)	11341000
. screw - uni6954	10636000
. screw - uni6954	10636200

### Alternative components

. screw uni en iso 4757	10641201
-------------------------	----------

### Model

Designation **HXK70AA** **220-240V/50Hz** Conf. 1 Sales code: **16363600**

### Optimization + standard conditions

R600a, 220V/50Hz, eRSCR, static, VDE

Evaporating pressure (saturation temperature)				Condensing pressure (saturation temperature)				Power consumption				ASHRAE LBP		
Return gas temp.				Current consumption				P1	I	m				
Liquid temp.				Cooling capacity							COP	EER	Ref. mass flow	
pe	pc	RGT	Tliq	[W]	[Btu/h]	[kcal/h]	[W/W]	[Btu/Wh]	[kcal/Wh]	[W]				[A]
[°C]	-23	54	32	32	118,1	403	101,7	1,86	6,34	1,60	63,6	0,29	1,27	ASHRAE LBP
[°F]	-10	130	90	90										
[°C]	-25	55	32	55	88,1	301	75,8	1,46	4,97	1,25	60,5	0,28	1,15	cecomaf LBP
[°F]	-13	131	90	131										
[°C]	-35	40	20	40	65,6	224	56,5	1,38	4,71	1,19	47,6	0,22	0,80	EN12900 LBP
[°F]	-31	104	68	104										
[°C]	-23	49	4,4	49	96,3	329	82,9	1,57	5,35	1,35	61,5	0,28	1,41	ARI540 LBP
[°F]	-10	120	40	120										
[°C]	-23	41	32	32	127,8	436	110,0	2,17	7,42	1,87	58,8	0,27	1,37	AHAM LBP
[°F]	-10	105	90	90										
[°C]	-35	45	32	45	60,5	206	52,0	1,31	4,47	1,13	46,2	0,21	0,72	opt
[°F]	-31	113	90	113										

### Performance tables

R600a, 220V/50Hz, eRSCR, static, VDE

	pe		Cooling capacity			COP	EER		P1	I	m
	[°C]	[°F]	[W]	[Btu/h]	[kcal/h]	[W/W]	[Btu/Wh]	[kcal/Wh]	[W]	[A]	[kg/h]
[°C / °F]	-35	-31	60,5	206	52,0	1,31	4,47	1,13	46,2	0,21	0,72
cond. pressure	-30	-22	79,3	271	68,2	1,54	5,28	1,33	51,3	0,23	0,94
pc= 45/113	-25	-13	103,3	353	88,9	1,79	6,11	1,54	57,8	0,26	1,23
return gas temp.	-23	-10	112,6	385	96,9	1,87	6,39	1,61	60,2	0,27	1,34
RGT= 32/90	-20	-4	132,5	452	114,0	2,03	6,93	1,75	65,3	0,30	1,58
liquid temp	-15	5	166,8	570	143,5	2,27	7,75	1,95	73,5	0,33	1,99
Tliq= 45/113	-5	23	250,9	857	215,9	2,75	9,39	2,37	91,2	0,41	3,01
[°C / °F]	-35	-31	46,5	159	40,1	1,09	3,71	0,94	42,8	0,19	0,61
cond. pressure	-30	-22	65,0	222	55,9	1,27	4,34	1,09	51,1	0,23	0,85
pc= 55/131	-25	-13	88,1	301	75,8	1,46	4,97	1,25	60,5	0,28	1,15
return gas temp	-23	-10	97,0	331	83,5	1,52	5,19	1,31	63,9	0,29	1,27
RGT= 32/90	-20	-4	115,9	396	99,8	1,64	5,60	1,41	70,7	0,32	1,51
liquid temp	-15	5	148,4	507	127,7	1,82	6,22	1,57	81,5	0,37	1,94
Tliq= 55/131	-5	23	227,5	777	195,8	2,19	7,49	1,89	103,7	0,47	2,99

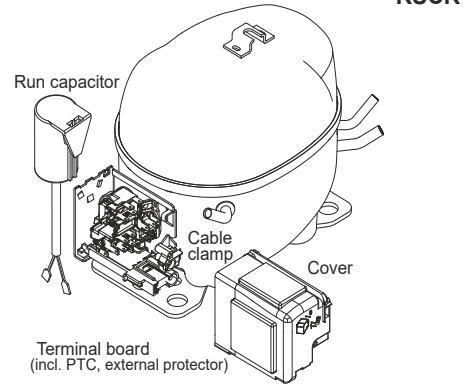
## Model

Designation	<b>HXK70AA</b>	<b>220-240V/50Hz</b>	<b>Conf. 2</b>	Sales code:	<b>16363600</b>
-------------	----------------	----------------------	----------------	-------------	-----------------

## Configuration

Motorconfiguration	eRSCR
Power supply (nominal)	220-240V/50Hz 1~
Refrigerant	R600a
Application	LBP
Voltage range	187-264V
Starting torque	LST
Approvals	VDE

## Electrical accessories / wiring diagram



## Ambient/ machine room temperatures minimum /maximum

Ambient temperature range:	10 - 43°C / 50 - 110°F
Machine room temperature range:	10 - 48°C / 50 - 119°F
Compressor cooling:	static

## Operation pressure range



## Components

. terminal board (e-PTC, 4.8mm)	15624200
. run capacitor (3μF, 4.8mm)	10693200
b cover terminal board	10636401
. Cable clamp (screws not included)	11341000
. screw - uni6954	10636000
. screw - uni6954	10636200

## Alternative components

. screw uni en iso 4757	10641201
-------------------------	----------

### Model

Designation	<b>HXK70AA</b>	<b>220-240V/50Hz</b>	<b>Conf. 2</b>	Sales code:	<b>16363600</b>
-------------	----------------	----------------------	----------------	-------------	-----------------

### Optimization + standard conditions

R600a, 220V/50Hz, eRSCR, static, VDE

	pe	pc	RGT	Tliq	Cooling capacity	COP	EER	P1	I	Ref. mass flow	
	[°C]	[°C]	[°C]	[°C]	[W]	[W/W]	[Btu/Wh]	[W]	[A]	[kg/h]	
ASHRAE LBP	-23	54	32	32	118,1	1,86	6,34	63,6	0,29	1,27	
	[°F]				[Btu/h]		[kcal/Wh]				
cecomaf LBP	-25	55	32	55	88,1	1,46	4,97	60,5	0,28	1,15	
	[°F]				[kcal/h]		[kcal/Wh]				
EN12900 LBP	-35	40	20	40	65,6	1,38	4,71	47,6	0,22	0,80	
	[°F]										
ARI540 LBP	-23	49	4,4	49	96,3	1,57	5,35	61,5	0,28	1,41	
	[°F]										
AHAM LBP	-23	41	32	32	127,8	2,17	7,42	58,8	0,27	1,37	
	[°F]										
opt	-35	45	32	45	60,5	1,31	4,47	46,2	0,21	0,72	
	[°F]										

### Performance tables

R600a, 220V/50Hz, eRSCR, static, VDE

	pe	Cooling capacity			COP	EER	P1	I	m		
	[°C]	[°F]	[W]	[Btu/h]	[kcal/h]	[W/W]	[Btu/Wh]	[kcal/Wh]	[W]	[A]	[kg/h]
[°C / °F]	-35	-31	60,5	206	52,0	1,31	4,47	1,13	46,2	0,21	0,72
cond. pressure	-30	-22	79,3	271	68,2	1,54	5,28	1,33	51,3	0,23	0,94
pc= 45/113	-25	-13	103,3	353	88,9	1,79	6,11	1,54	57,8	0,26	1,23
return gas temp.	-23	-10	112,6	385	96,9	1,87	6,39	1,61	60,2	0,27	1,34
RGT= 32/90	-20	-4	132,5	452	114,0	2,03	6,93	1,75	65,3	0,30	1,58
liquid temp	-15	5	166,8	570	143,5	2,27	7,75	1,95	73,5	0,33	1,99
Tliq= 45/113	-5	23	250,9	857	215,9	2,75	9,39	2,37	91,2	0,41	3,01
[°C / °F]	-35	-31	46,5	159	40,1	1,09	3,71	0,94	42,8	0,19	0,61
cond. pressure	-30	-22	65,0	222	55,9	1,27	4,34	1,09	51,1	0,23	0,85
pc= 55/131	-25	-13	88,1	301	75,8	1,46	4,97	1,25	60,5	0,28	1,15
return gas temp	-23	-10	97,0	331	83,5	1,52	5,19	1,31	63,9	0,29	1,27
RGT= 32/90	-20	-4	115,9	396	99,8	1,64	5,60	1,41	70,7	0,32	1,51
liquid temp	-15	5	148,4	507	127,7	1,82	6,22	1,57	81,5	0,37	1,94
Tliq= 55/131	-5	23	227,5	777	195,8	2,19	7,49	1,89	103,7	0,47	2,99

## Model

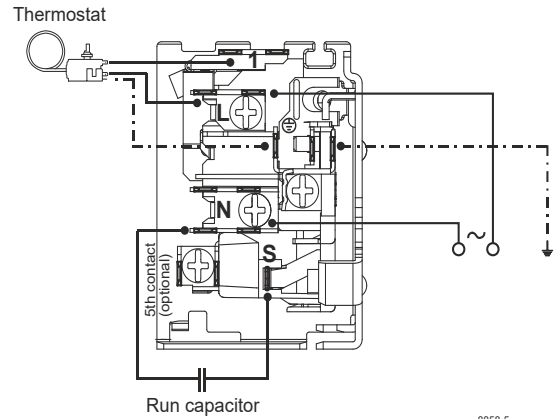
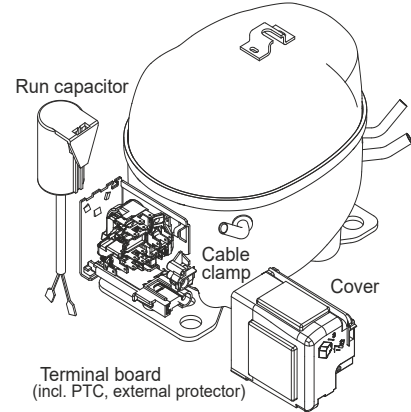
Designation	<b>HXK70AA</b>	<b>220-240V/50Hz</b>	<b>Conf. 3</b>	Sales code:	<b>16363600</b>
-------------	----------------	----------------------	----------------	-------------	-----------------

## Configuration

Motorconfiguration	RSCR
Power supply (nominal)	220-240V/50Hz 1~
Refrigerant	R600a
Application	LBP
Voltage range	187-264V
Starting torque	LST
Approvals	VDE

## Electrical accessories / wiring diagram

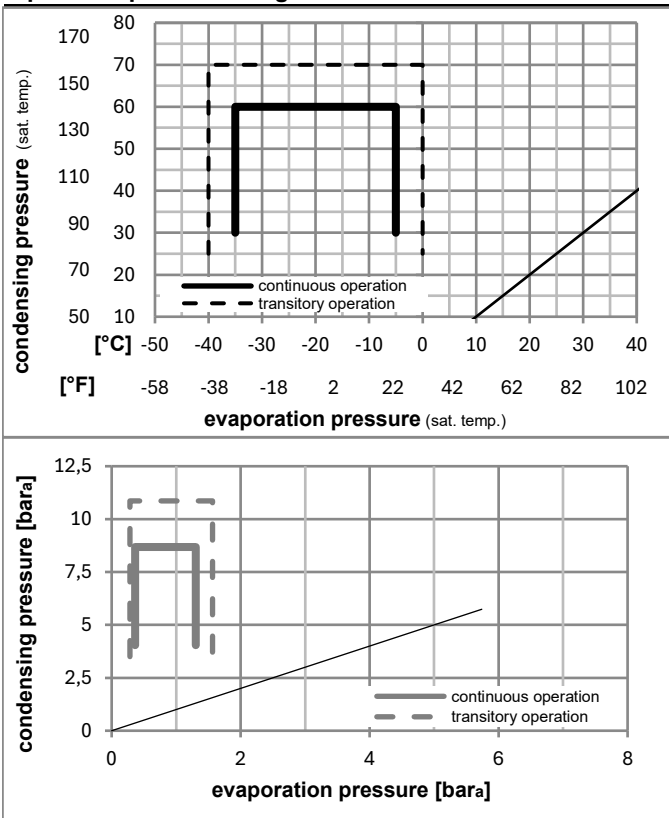
**RSCR**



## Ambient/ machine room temperatures minimum /maximum

Ambient temperature range:	10 - 43°C / 50 - 110°F
Machine room temperature range:	10 - 48°C / 50 - 119°F
Compressor cooling:	static

## Operation pressure range



## Components

. terminal board (PTC, 4.8mm)	15163700
. run capacitor (3μF, 4.8mm)	10693200
b cover terminal board	10636401
. Cable clamp (screws not included)	11341000
. screw - uni6954	10636000
. screw - uni6954	10636200

## Alternative components

. run capacitor (3μF, 4.8mm)	10692902
. screw uni en iso 4757	10641201



## Model

Designation	<b>HXK70AA</b>	<b>220-240V/50Hz</b>	<b>Conf. 3</b>	Sales code:	<b>16363600</b>
-------------	----------------	----------------------	----------------	-------------	-----------------

## Optimization + standard conditions

R600a, 220V/50Hz, RSCR, static, VDE

		Evaporating pressure (saturation temperature)				Cooling capacity					Power consumption			
		Condensing pressure (saturation temperature)				COP					EER			
		Return gas temp.				COP					EER			
		Liquid temp.				COP					EER			
		Cooling capacity				COP					EER			
		COP				EER					P1			
		EER				P1					I			
		P1				I					m			
		I				m								
		m												
pe	pc	RGT	Tliq	[W]	[Btu/h]	[kcal/h]	[W/W]	[Btu/Wh]	[kcal/Wh]	[W]	[A]	[kg/h]		
[°C]	[°C]	[°C]	[°C]	[W]	[Btu/h]	[kcal/h]	[W/W]	[Btu/Wh]	[kcal/Wh]	[W]	[A]	[kg/h]		
[°F]	[°F]	[°C]	[°C]	[W]	[Btu/h]	[kcal/h]	[W/W]	[Btu/Wh]	[kcal/Wh]	[W]	[A]	[kg/h]		
-23	54	32	32	118,1	403	101,7	1,86	6,34	1,60	63,6	0,29	1,27	ASHRAE LBP	
-10	130	90	90											
-25	55	32	55	88,1	301	75,8	1,46	4,97	1,25	60,5	0,28	1,15	cecomaf LBP	
-13	131	90	131											
-35	40	20	40	65,6	224	56,5	1,38	4,71	1,19	47,6	0,22	0,80	EN12900 LBP	
-31	104	68	104											
-23	49	4,4	49	96,3	329	82,9	1,57	5,35	1,35	61,5	0,28	1,41	ARI540 LBP	
-10	120	40	120											
-23	41	32	32	127,8	436	110,0	2,17	7,42	1,87	58,8	0,27	1,37	AHAM LBP	
-10	105	90	90											
-35	45	32	45	60,5	206	52,0	1,31	4,47	1,13	46,2	0,21	0,72	opt	
-31	113	90	113											

## Performance tables

R600a, 220V/50Hz, RSCR, static, VDE

	pe		Cooling capacity			COP			EER			P1			I			m		
	[°C]	[°F]	[W]	[Btu/h]	[kcal/h]	[W/W]	[Btu/Wh]	[kcal/Wh]	[W]	[A]	[kg/h]	[W]	[A]	[kg/h]	[W]	[A]	[kg/h]	[W]	[A]	[kg/h]
[°C / °F]	-35	-31	60,5	206	52,0	1,31	4,47	1,13	46,2	0,21	0,72	46,2	0,21	0,72	46,2	0,21	0,72	46,2	0,21	0,72
cond. pressure	-30	-22	79,3	271	68,2	1,54	5,28	1,33	51,3	0,23	0,94	51,3	0,23	0,94	51,3	0,23	0,94	51,3	0,23	0,94
pc= 45/113	-25	-13	103,3	353	88,9	1,79	6,11	1,54	57,8	0,26	1,23	57,8	0,26	1,23	57,8	0,26	1,23	57,8	0,26	1,23
return gas temp.	-23	-10	112,6	385	96,9	1,87	6,39	1,61	60,2	0,27	1,34	60,2	0,27	1,34	60,2	0,27	1,34	60,2	0,27	1,34
RGT= 32/90	-20	-4	132,5	452	114,0	2,03	6,93	1,75	65,3	0,30	1,58	65,3	0,30	1,58	65,3	0,30	1,58	65,3	0,30	1,58
liquid temp	-15	5	166,8	570	143,5	2,27	7,75	1,95	73,5	0,33	1,99	73,5	0,33	1,99	73,5	0,33	1,99	73,5	0,33	1,99
Tliq= 45/113	-5	23	250,9	857	215,9	2,75	9,39	2,37	91,2	0,41	3,01	91,2	0,41	3,01	91,2	0,41	3,01	91,2	0,41	3,01
[°C / °F]	-35	-31	46,5	159	40,1	1,09	3,71	0,94	42,8	0,19	0,61	42,8	0,19	0,61	42,8	0,19	0,61	42,8	0,19	0,61
cond. pressure	-30	-22	65,0	222	55,9	1,27	4,34	1,09	51,1	0,23	0,85	51,1	0,23	0,85	51,1	0,23	0,85	51,1	0,23	0,85
pc= 55/131	-25	-13	88,1	301	75,8	1,46	4,97	1,25	60,5	0,28	1,15	60,5	0,28	1,15	60,5	0,28	1,15	60,5	0,28	1,15
return gas temp	-23	-10	97,0	331	83,5	1,52	5,19	1,31	63,9	0,29	1,27	63,9	0,29	1,27	63,9	0,29	1,27	63,9	0,29	1,27
RGT= 32/90	-20	-4	115,9	396	99,8	1,64	5,60	1,41	70,7	0,32	1,51	70,7	0,32	1,51	70,7	0,32	1,51	70,7	0,32	1,51
liquid temp	-15	5	148,4	507	127,7	1,82	6,22	1,57	81,5	0,37	1,94	81,5	0,37	1,94	81,5	0,37	1,94	81,5	0,37	1,94
Tliq= 55/131	-5	23	227,5	777	195,8	2,19	7,49	1,89	103,7	0,47	2,99	103,7	0,47	2,99	103,7	0,47	2,99	103,7	0,47	2,99

## Model

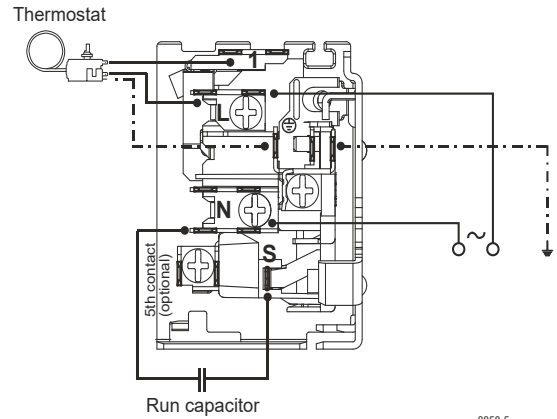
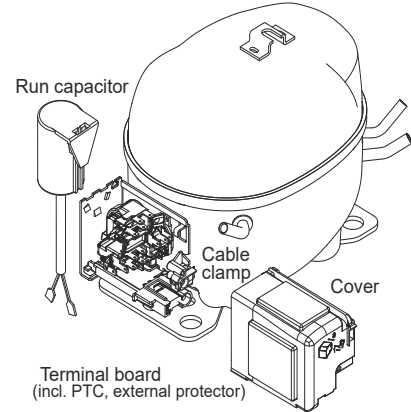
Designation	<b>HXK70AA</b>	<b>220-240V/50Hz</b>	<b>Conf. 4</b>	Sales code:	<b>16363600</b>
-------------	----------------	----------------------	----------------	-------------	-----------------

## Configuration

Motorconfiguration	RSCR
Power supply (nominal)	220-240V/50Hz 1~
Refrigerant	R600a
Application	LBP
Voltage range	187-264V
Starting torque	LST
Approvals	VDE

## Electrical accessories / wiring diagram

RSCR

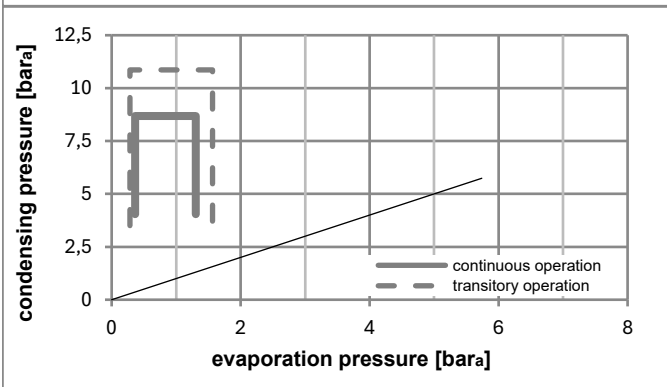
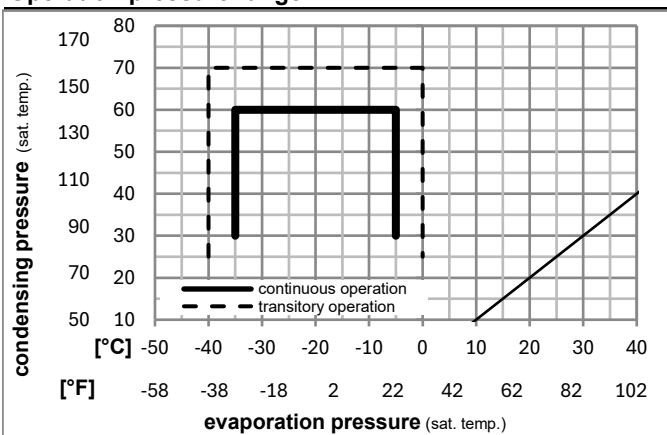


8858-5

## Ambient/ machine room temperatures minimum /maximum

Ambient temperature range:	10 - 43°C / 50 - 110°F
Machine room temperature range:	10 - 48°C / 50 - 119°F
Compressor cooling:	static

## Operation pressure range



## Components

. terminal board (PTC, 6.3mm)	15162200
. run capacitor (3μF, 6.3mm)	15312801
b cover terminal board	10636401
. Cable clamp (screws not included)	11341000
. screw - uni6954	10636000
. screw - uni6954	10636200

## Alternative components

. screw uni en iso 4757	10641201
-------------------------	----------

## Model

Designation **HXK70AA** **220-240V/50Hz** Conf. 4 Sales code: **16363600**

## Optimization + standard conditions

R600a, 220V/50Hz, RSCR, static, VDE

		Evaporating pressure (saturation temperature)				Cooling capacity			COP			EER			Power consumption			
		Condensing pressure (saturation temperature)		Return gas temp.		Liquid temp.					Current consumption			Ref. mass flow				
		pe	pc	RGT	Tliq	[W]	[Btu/h]	[kcal/h]	[W/W]	[Btu/Wh]	[kcal/Wh]	P1	I	m	[W]	[A]	[kg/h]	
[°C]	-23	54	32	32	118,1	403	101,7	1,86	6,34	1,60	63,6	0,29	1,27	ASHRAE LBP				
[°F]	-10	130	90	90														
[°C]	-25	55	32	55	88,1	301	75,8	1,46	4,97	1,25	60,5	0,28	1,15	cecomaf LBP				
[°F]	-13	131	90	131														
[°C]	-35	40	20	40	65,6	224	56,5	1,38	4,71	1,19	47,6	0,22	0,80	EN12900 LBP				
[°F]	-31	104	68	104														
[°C]	-23	49	4,4	49	96,3	329	82,9	1,57	5,35	1,35	61,5	0,28	1,41	ARI540 LBP				
[°F]	-10	120	40	120														
[°C]	-23	41	32	32	127,8	436	110,0	2,17	7,42	1,87	58,8	0,27	1,37	AHAM LBP				
[°F]	-10	105	90	90														
[°C]	-35	45	32	45	60,5	206	52,0	1,31	4,47	1,13	46,2	0,21	0,72	opt				
[°F]	-31	113	90	113														

## Performance tables

R600a, 220V/50Hz, RSCR, static, VDE

	pe		Cooling capacity			COP			EER			P1			I			m		
	[°C]	[°F]	[W]	[Btu/h]	[kcal/h]	[W/W]	[Btu/Wh]	[kcal/Wh]	[W]	[A]	[kg/h]	[W]	[A]	[kg/h]	[W]	[A]	[kg/h]			
[°C / °F]	-35	-31	60,5	206	52,0	1,31	4,47	1,13	46,2	0,21	0,72									
cond. pressure	-30	-22	79,3	271	68,2	1,54	5,28	1,33	51,3	0,23	0,94									
pc= 45/113	-25	-13	103,3	353	88,9	1,79	6,11	1,54	57,8	0,26	1,23									
return gas temp.	-23	-10	112,6	385	96,9	1,87	6,39	1,61	60,2	0,27	1,34									
RGT= 32/90	-20	-4	132,5	452	114,0	2,03	6,93	1,75	65,3	0,30	1,58									
liquid temp	-15	5	166,8	570	143,5	2,27	7,75	1,95	73,5	0,33	1,99									
Tliq= 45/113	-5	23	250,9	857	215,9	2,75	9,39	2,37	91,2	0,41	3,01									
[°C / °F]	-35	-31	46,5	159	40,1	1,09	3,71	0,94	42,8	0,19	0,61									
cond. pressure	-30	-22	65,0	222	55,9	1,27	4,34	1,09	51,1	0,23	0,85									
pc= 55/131	-25	-13	88,1	301	75,8	1,46	4,97	1,25	60,5	0,28	1,15									
return gas temp	-23	-10	97,0	331	83,5	1,52	5,19	1,31	63,9	0,29	1,27									
RGT= 32/90	-20	-4	115,9	396	99,8	1,64	5,60	1,41	70,7	0,32	1,51									
liquid temp	-15	5	148,4	507	127,7	1,82	6,22	1,57	81,5	0,37	1,94									
Tliq= 55/131	-5	23	227,5	777	195,8	2,19	7,49	1,89	103,7	0,47	2,99									



# K-Series Compressors

## GTK, HKK, HMK, HTK, HXK, HZK

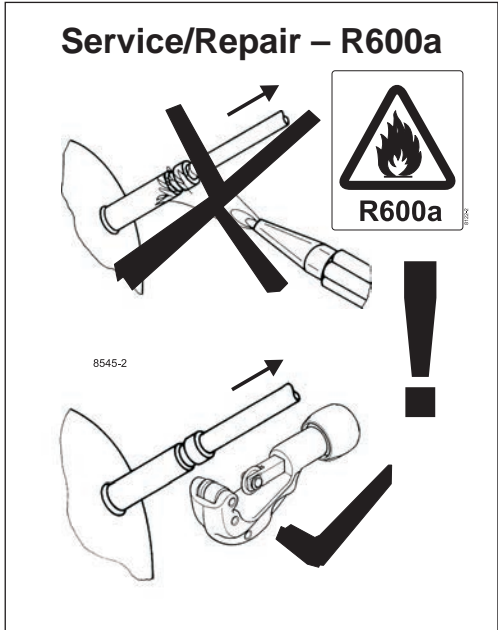
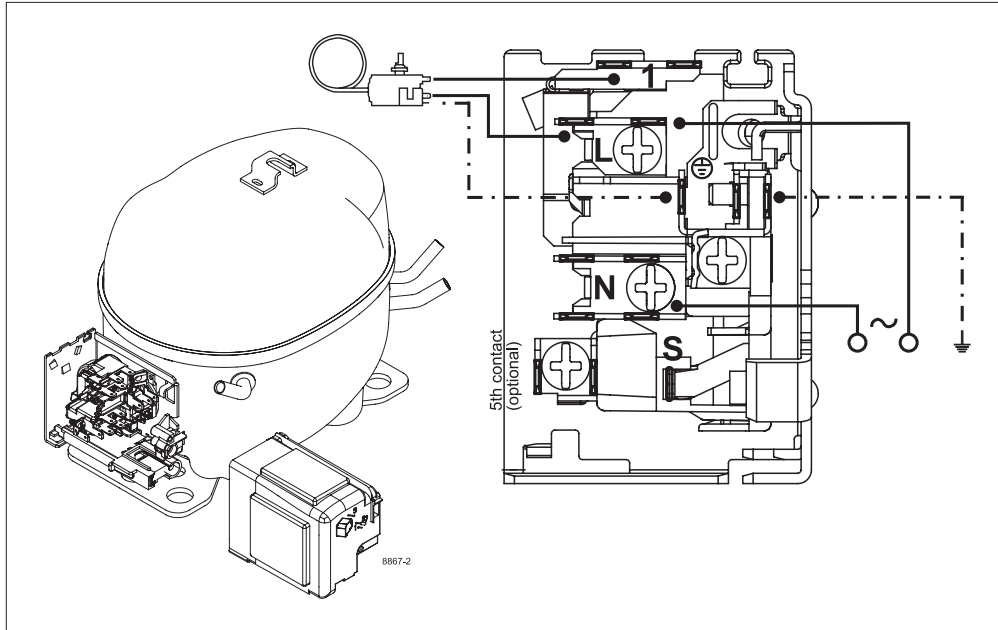


### Service/Repair – R600a



# K-Series Compressors

## GTK, HKK, HMK, HTK, HXK, HZK



Secop accepts no responsibility for possible errors in catalogs, brochures, and other printed material. Secop reserves the right to alter its products without notice. This also applies to products already on order provided that such alterations can be made without subsequential changes being necessary to specifications already agreed. All trademarks in this material are the property of the respective companies. Secop and the Secop logotype are trademarks of Secop GmbH. All rights reserved. [www.secop.com](http://www.secop.com)