

## Single Pack SC10CL 115V 60Hz CSIR

Single pack code number: **195B4663**

Position	Title	Code	Amount
1	Compressor SC10CL	104L1509	1
2	Bolt joint for one compressor   M6   ø16mm	118-1917	1

## SC10CL LBP/MBP Compressor R404A/R507 115V 60Hz

### General

Code number	104L1509
Approvals	UL984
Compressors on pallet	80

### Application

Application	LBP/MBP			
Frequency	Hz	50	60	
Evaporating temperature	°F	-	-40 to 45	
Voltage range	V	-	103 - 127	
Max. condensing temperature continuous (short)	°F	-	131 (140)	
Max. winding temperature continuous (short)	°F	-	257 (275)	

### Cooling requirements

Frequency	Hz	50			60		
Application		LBP	MBP	HBP	LBP	MBP	HBP
90°F		-	-	-	F <sub>2</sub>	F <sub>2</sub>	-
100°F		-	-	-	F <sub>2</sub>	F <sub>2</sub>	-
110°F		-	-	-	F <sub>2</sub>	F <sub>2</sub>	-
Remarks on application:							

### Motor

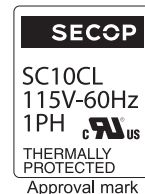
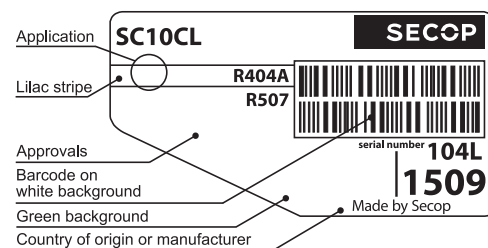
Motor type	CSIR		
LRA (rated after 4 sec. UL984), HST   LST	A	41.9	-
Cut in Current, HST   LST	A	41.9	-
Resistance, main   start winding (77°F)	Ω	1.0	4.3

### Design

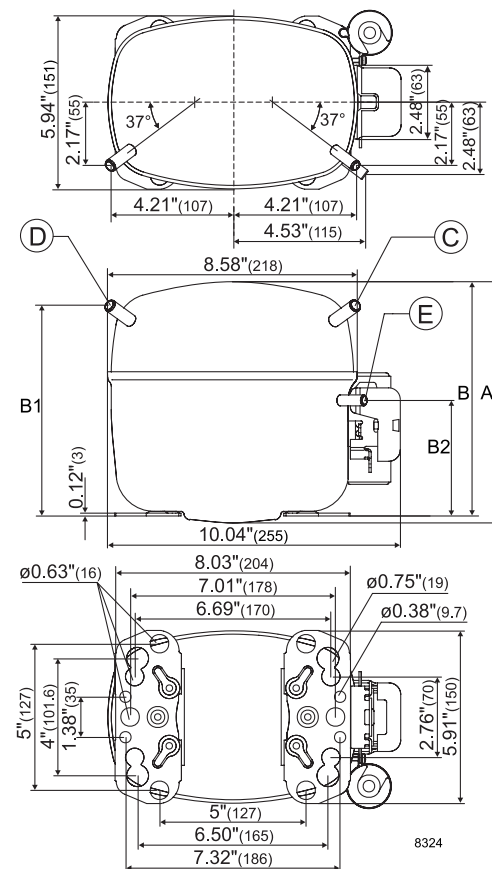
Displacement	cu.in	0.63
Oil quantity (type)	fl.oz.	16.9 (polyolester)
Maximum refrigerant charge	oz.	45.8
Free gas volume in compressor	fl.oz.	51.1
Weight without electrical equipment	lbs.	27.7

### Dimensions

Height	inch	A	8.23
		B	8.00
		B1	7.20
		B2	3.93
Suction connector	location, I.D. in.   angle	C	0.320-0.327   37°
	material   comment		Copper   Rubber plug
Process connector	location, I.D. in.   angle	D	0.252-0.259   37°
	material   comment		Copper   Rubber plug
Discharge connector	location, I.D. in.   angle	E	0.252-0.259   37°
	material   comment		Copper   Rubber plug
Oil cooler connector	location, I.D. in.   angle	F	-
	material   comment		-
Remarks:			



- S = Static cooling normally sufficient
- O = Oil cooling
- F<sub>1</sub> = Fan cooling 1.5 m/s  
(compressor compartment temperature equal to ambient temperature)
- F<sub>2</sub> = Fan cooling 3.0 m/s necessary
- SG = Suction gas cooling normally sufficient
- = not applicable in this area



**ASHRAE LBP**

115V, 60Hz, fan cooling F<sub>2</sub>

Evap. temp. in °F	-49	-40	-30	-20	-13	-10	0	10	14	20	30	40	41	45	50	59	68
Capacity in BTU/h		122	482	909	1257	1420	2034	2769	3101	3643	4677	5893	6025	6576			
Power cons. in W		145	248	339	398	422	500	573	602	645	719	795	803	835			
Current cons. in A		4.21	4.64	5.10	5.44	5.58	6.09	6.63	6.85	7.19	7.78	8.39	8.45	8.71			
EER in BTU/Wh		0.84	1.95	2.68	3.16	3.36	4.07	4.83	5.15	5.64	6.51	7.41	7.50	7.87			

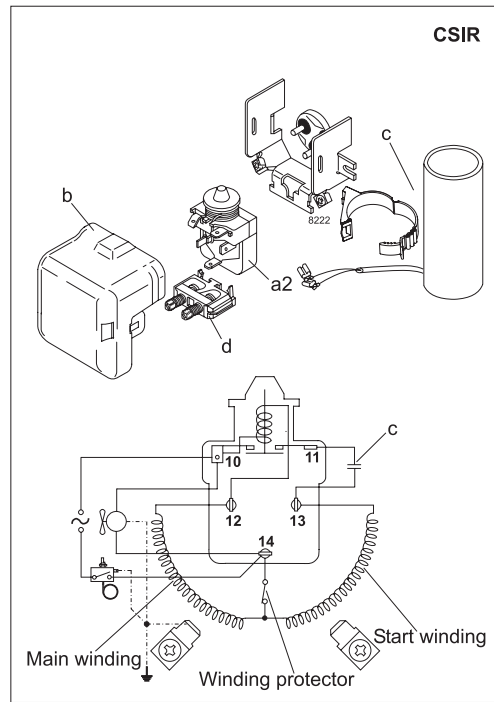
**ASHRAE MBP**

115V, 60Hz, fan cooling F<sub>2</sub>

Evap. temp. in °F	-49	-40	-30	-20	-13	-10	0	10	14	20	30	40	41	45	50	59	68
Capacity in BTU/h		104	412	776	1073	1212	1734	2357	2638	3096	3968	4989	5100	5560			
Power cons. in W		145	248	339	398	422	500	573	602	645	719	795	803	835			
Current cons. in A		4.21	4.64	5.10	5.44	5.58	6.09	6.63	6.85	7.19	7.78	8.39	8.45	8.71			
EER in BTU/Wh		0.71	1.66	2.29	2.69	2.87	3.47	4.11	4.38	4.80	5.52	6.27	6.35	6.66			

**EN 12900 Household (CECOMAF)\*** 115V, 60Hz, fan cooling F<sub>2</sub>

Evap. temp. in °F	-49	-40	-30	-20	-13	-10	0	10	14	20	30	40	41	45	50	59	68
Capacity in W		75	184	310	411	458	632	834	924	1070	1342	1655	1688	1827			
Power cons. in W		193	284	364	415	436	502	565	590	628	691	759	766	795			
Current cons. in A		4.45	4.79	5.15	5.42	5.54	5.96	6.40	6.59	6.87	7.36	7.88	7.93	8.15			
COP in W/W		0.39	0.65	0.85	0.99	1.05	1.26	1.48	1.57	1.70	1.94	2.18	2.20	2.30			



Accessories for	SC10CL	Figure	Code number	Test conditions	ASHRAE LBP	ASHRAE MBP	EN 12900/CECOMAF*
PTC starting device	1/4 in. spade connect.	-	-	Condensing temp.	130°F	130°F	130°F
	3/16 in. spade connect.		-	Ambient temperature	90°F	95°F	90°F
Starting relay	1/4 in. spade connect.	a2	117U6020 *)	Suction gas temp.	90°F	95°F	90°F
Cover		b	103N2008 *)	Liquid temperature	90°F	115°F	no subcooling
Start. capacitor 240 µF	1/4 in. spade connect.	c	117U5023 *)				
Cord relief		d	103N1004 *)				
Protection screen for PTC		-	-				
*) Remarks: pre-assembled							
<b>Mounting accessories</b>					<b>Code number</b>		
Bolt joint for one comp.					Ø: 5/8 in.	118-1917	
Bolt joint in quantities					Ø: 5/8 in.	118-1918	
Snap-on in quantities					Ø: 5/8 in.	118-1919	

Secop accepts no responsibility for possible errors in catalogs, brochures, and other printed material. Secop reserves the right to alter its products without notice. This also applies to products already on order provided that such alterations can be made without subsequential changes being necessary to specifications already agreed. All trademarks in this material are the property of the respective companies. Secop and the Secop logotype are trademarks of Secop GmbH. All rights reserved. [www.secop.com](http://www.secop.com)



# SC Compressors





# SC Compressors

## Service/Repair – R290



8545



Secop accepts no responsibility for possible errors in catalogs, brochures, and other printed material. Secop reserves the right to alter its products without notice. This also applies to products already on order provided that such alterations can be made without subsequent changes being necessary to specifications already agreed. All trademarks in this material are the property of the respective companies. Secop and the Secop logotype are trademarks of Secop GmbH. All rights reserved. [www.secop.com](http://www.secop.com)