

Single Pack KLF6.6CNH 115-127V 60Hz CSIR

Single pack code number: **195B4701**

| Position | Title | Code | Amount |
|----------|--|----------|--------|
| 1 | Compressor KLF6.6CNH | 106H3710 | 1 |
| 2 | Bolt joint for one compressor M6 ø16mm | 118-1917 | 1 |

Secop GmbH • Lise-Meitner-Straße 29 • 24941 Flensburg, Germany • Tel: +49 461 4941 0 • www.secop.com

Secop accepts no responsibility for possible errors in catalogs, brochures, and other printed material. Secop reserves the right to alter its products without notice. This also applies to products already on order provided that such alterations can be made without subsequent changes being necessary to specifications already agreed. All trademarks in this material are the property of the respective companies. Secop and the Secop logotype are trademarks of Secop GmbH. All rights reserved.

Model

| | | | | |
|-------------|------------------|------------------|-------------|-----------------|
| Designation | KLF6.6CNH | 115-127V/60Hz 1~ | Sales code: | 106H3710 |
|-------------|------------------|------------------|-------------|-----------------|

Compressor design

| | | | |
|----------------------------|---------------------------------|-----------------------|-------------------------------|
| Oil type | Polyolester | Refrigerant(s) | R290 |
| Oil viscosity | 10,4cSt | Displacement | 6,6cm ³ / 0,4cu.in |
| Oil quantity | 174cm ³ / 5,9fl.oz | Compressors on pallet | 100 |
| Refr. charge - tech. limit | 200g / 7,1oz | | |
| Free gas volume comp. | 1580cm ³ / 53,4fl.oz | | |
| Weight | 9,5kg / 20,9lbs | | |
| Motor protection | external | | |
| Winding resistance main | 2Ω (at 25°C) | | |
| Winding resistance aux | 5,3Ω (at 25°C) | | |
| Max. winding temp. | 125°C / 257°F | | |
| Max. discharge temp. | 130°C / 266°F | | |



General - Configurations with KLF6.6CNH

| | |
|------------------------|---|
| | Conf. 1 |
| Motorconfiguration | CSIR |
| Power supply (nominal) | 115-127V/60Hz |
| Number of phases | 1 |
| Voltage range | 95-140V |
| Approvals | UL, CCC |
| Starting torque | HST |
| Note | Electrical equipment is included and pre-assembled to compressor. |

Applications with KLF6.6CNH

| | |
|-------------------------|----------------|
| | Conf. 1 |
| Refrigerant | R290 |
| Application | LBP+MBP |
| System cooling | fan 3m/s |
| Hot gas defrost | OK |
| Long interval pull down | OK |

Electrical data - Configurations with KLF6.6CNH

| | |
|------------------------------------|----------------|
| | Conf. 1 |
| Starting device type | relay |
| Run capacitor | -/- |
| Start capacitor | 240μF |
| LRA (locked rotor amps / 4s/ U(N)) | 31,1A |
| RLA (rated load amps / 1s/ U(N)) | 4,3A |
| Cut in current (U(N)) | 27,8A |

Model

| | | | | |
|-------------|------------------|------------------|-------------|-----------------|
| Designation | KLF6.6CNH | 115-127V/60Hz 1~ | Sales code: | 106H3710 |
|-------------|------------------|------------------|-------------|-----------------|

Compressor dimensions

| | | |
|----------------|-------------------|----------------|
| Housing | A Height | 182mm / 7,17in |
| | B Height | 175mm / 6,89in |
| | C Length shell | 198mm / 7,8in |
| | D Length w. cover | 238mm / 9,37in |
| | E Width | 160mm / 6,3in |

| Connectors | | Suction | Discharge | Process |
|-----------------------|------|--------------|--------------|--------------|
| | | X | Y | Z |
| Diameter | [mm] | øi 8,11-8,29 | øi 6,41-6,59 | øi 6,41-6,59 |
| (i:inside, o:outside) | [in] | øi 0,32-0,33 | øi 0,25-0,26 | øi 0,25-0,26 |
| Material | | copper | copper | copper |
| Horizontal angle | ±2° | 35° | 13° | 0° |
| Vertical angle | ±2° | 30° | 40° | 145° |
| Position l/h/w | [mm] | 119/73/59 | 117/107/66 | -88/101/71 |
| | [in] | 4,7/2,9/2,3 | 4,6/4,2/2,6 | -3,5/4/2,8 |
| Straight tube l. | [mm] | 14 | 14 | 14 |
| | [in] | 0,5 | 0,5 | 0,5 |



Compressor fixation



Bolt joint



Snap-on



| Mounting accessories | one comp. | multi pack |
|----------------------------|-----------|------------|
| Bolt joint M6 ø16mm | 118-1917 | 118-1918 |
| Bolt joint ø1/4" ø16mm | 118-1946 | |
| Bolt joint ø1/4" ø19mm | 118-1949 | |
| Snap-on ø7,3 ø16mm | 118-1947 | 118-1919 |

Application notes

Operation possible until tilted up to 3 degrees

Provision for PE Grounding is located at the PE Stamp on the compressor

Model

| | | | | | |
|-------------|------------------|----------------------|----------------|-------------|-----------------|
| Designation | KLF6.6CNH | 115-127V/60Hz | Conf. 1 | Sales code: | 106H3710 |
|-------------|------------------|----------------------|----------------|-------------|-----------------|

Configuration

| | |
|------------------------|------------------|
| Motorconfiguration | CSIR |
| Power supply (nominal) | 115-127V/60Hz 1~ |
| Refrigerant | R290 |
| Application | LBP+MBP |
| Voltage range | 95-140V |
| Starting torque | HST |
| Approvals | UL CCC |

Electrical accessories / wiring diagram

CSIR



Ambient/ machine room temperatures minimum /maximum

| | |
|---------------------------------|------------------------|
| Ambient temperature range: | 10 - 43°C / 50 - 110°F |
| Machine room temperature range: | 10 - 48°C / 50 - 119°F |
| Compressor cooling: | fan 3m/s |



Operation pressure range



Components (already pre-assembled)

| | | |
|----|-----------------------------|----------|
| a5 | current relay (T1141/L6-S6) | 117U7076 |
| c | start capacitor (240µF) | 117U5002 |
| . | cable clamp | 16058100 |
| b | cover terminal board | 10636401 |
| . | screw uni en iso 4757 | 10641201 |
| . | screw - uni6954 | 10636000 |

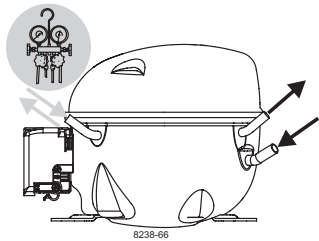
Alternative comp. (already pre-assembled)

| | | |
|---|-----------------|----------|
| . | screw - uni6954 | 10636200 |
|---|-----------------|----------|



KL Compressors

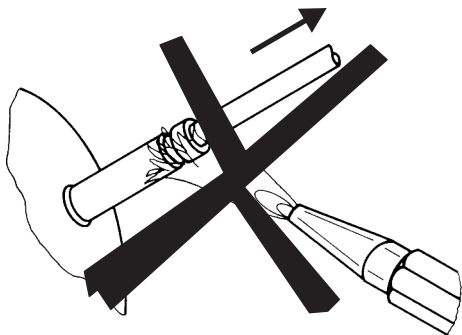




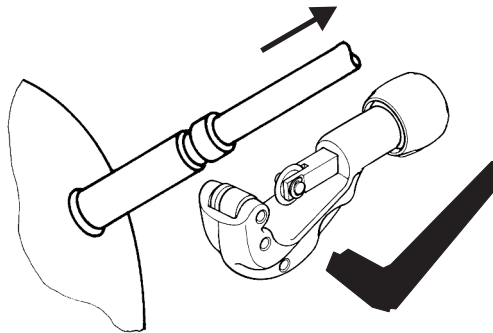
KL Compressors



Service/Repair – R290



8545



Secop accepts no responsibility for possible errors in catalogs, brochures, and other printed material. Secop reserves the right to alter its products without notice. This also applies to products already on order provided that such alterations can be made without subsequent changes being necessary to specifications already agreed. All trademarks in this material are the property of the respective companies. Secop and the Secop logotype are trademarks of Secop GmbH. All rights reserved. www.secop.com