

Single Pack SC10GHH 220-240V 50Hz CSCR

Single pack code number: **195B4776**

Position	Title	Code	Amount
1	Compressor SC10GHH	104G8071	1
2	SC starting device (550mm)	117-7025	1
3	Cord relief	103N1004	1
4	Cover	103N2009	1
5	Bolt joint for one compressor M6 ø16mm	118-1917	1

Secop GmbH • Lise-Meitner-Straße 29 • 24941 Flensburg, Germany • Tel: +49 461 4941 0 • www.secop.com

Secop accepts no responsibility for possible errors in catalogs, brochures, and other printed material. Secop reserves the right to alter its products without notice. This also applies to products already on order provided that such alterations can be made without subsequent changes being necessary to specifications already agreed. All trademarks in this material are the property of the respective companies. Secop and the Secop logotype are trademarks of Secop GmbH. All rights reserved.

Model

Designation	SC10GHH	220-240V/50Hz 1~	Sales code:	104G8071
-------------	----------------	------------------	-------------	-----------------

Compressor design

Oil type	Polyolester	Refrigerant(s)	R134a
Oil viscosity	22cST	Displacement	10,29cm ³ / 0,63cu.in
Oil quantity	449cm ³ / 15,2fl.oz	Compressors on pallet	80
Refr. charge - tech. limit	1300g / 45,9oz		
Free gas volume comp.	1460cm ³ / 49,4fl.oz		
Weight	12,5kg / 27,6lbs		
Motor protection	1# internal		
Winding resistance main	10,9Ω (at 25°C)		
Winding resistance aux	37,3Ω (at 25°C)		
Max. winding temp.	125°C / 257°F		
Max. discharge temp.	135°C / 275°F		



General - Configurations with SC10GHH

	Conf. 1
Motorconfiguration	CSCR
Power supply (nominal)	220-240V/50Hz
Number of phases	1
Voltage range	198-254V
Approvals	VDE
Starting torque	HST
Note	- / -

Applications with SC10GHH

	Conf. 1
Refrigerant	R134a
Application	HBP
System cooling	oil cooled
Hot gas defrost	OK
Long interval pull down	OK

Electrical data - Configurations with SC10GHH

	Conf. 1
Starting device type	relay
Run capacitor	5μF
Start capacitor	40μF
LRA (locked rotor amps / 4s)	23,4A
RLA (rated load amps / 1s)	4,3A
Cut in current	23,4A

Model

Designation

SC10GHH

220-240V/50Hz 1~

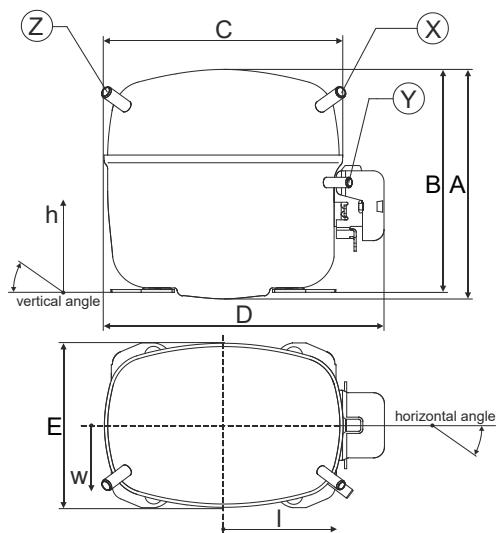
Sales code:

104G8071

Compressor dimensions

Housing	A Height	209mm / 8,23in
	B Height	203mm / 7,99in
	C Length shell	218mm / 8,58in
	D Length w. cover	255mm / 10,04in
	E Width	151mm / 5,94in

Connectors	Suction X	Discharge Y	Process Z
Diameter [mm]	øi 10,11-10,29	øi 8,11-8,29	øi 6,11-6,29
(i:inside, o:outside) [in]	øi 0,4-0,41	øi 0,32-0,33	øi 0,24-0,25
Material	copper	copper	copper
Horizontal angle ±2°	37°	37°	143°
Vertical angle ±2°	30°	0°	150°
Position l/h/w [mm]	107/183/55	115/100/63	-107/183/55
[in]	4,2/7,2/2,2	4,5/3,9/2,5	-4,2/7,2/2,2
Straight tube l. [mm]	12	12	12
[in]	0,5	0,5	0,5



Compressor fixation



Bolt joint



Snap-on



Mounting accessories

Mounting accessories	one comp.	multi pack
Bolt joint M6 ø16mm	118-1917	118-1918
Bolt joint ø1/4" ø16mm	118-1946	
Bolt joint ø1/4" ø19mm	118-1949	
Snap-on ø7,3 ø16mm	118-1947	118-1919

Application notes

Provision for PE Grounding is located at the PE Stamp on the compressor

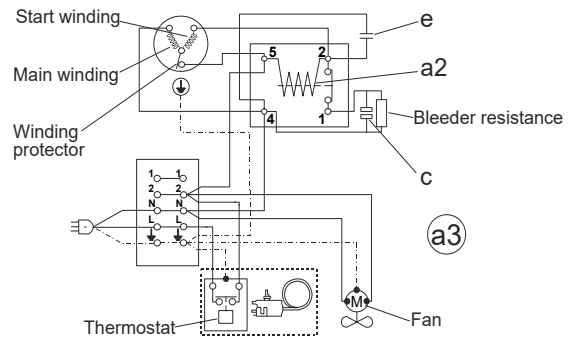
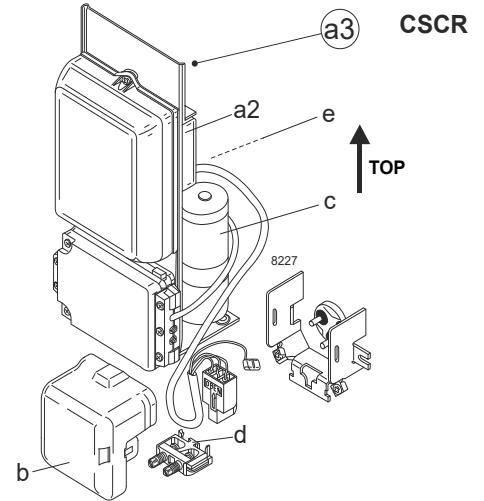
Model

Designation	SC10GHH	220-240V/50Hz	Conf. 1	Sales code:	104G8071
-------------	----------------	----------------------	----------------	-------------	-----------------

Configuration

Motorconfiguration	CSCR
Power supply (nominal)	220-240V/50Hz 1~
Refrigerant	R134a
Application	HBP
Voltage range	198-254V
Starting torque	HST
Approvals	VDE

Electrical accessories / wiring diagram

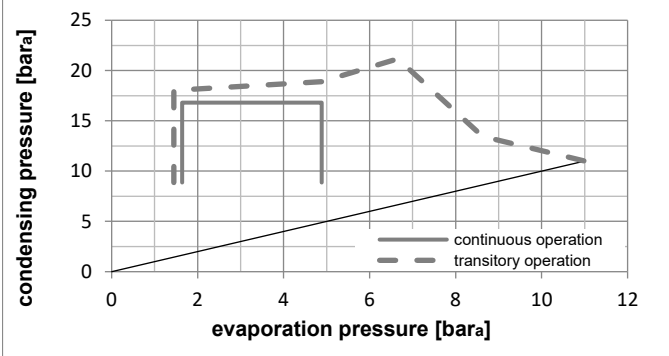
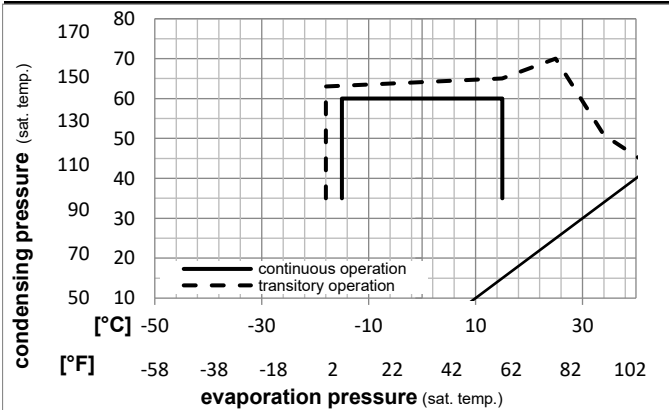


Ambient/ machine room temperatures minimum /maximum

Ambient temperature range:	10 - 43°C / 50 - 110°F
Machine room temperature range:	10 - 48°C / 50 - 119°F
Compressor cooling:	fan 1,5m/s

Operation Limits

Operation pressure range



Components

a3	SC starter kit	117-7025
b	plastic cover	103N2009
d	cord relief	103N1004

Alternative components

a3	SC starter kit	117-7014
----	----------------	----------

Model

Designation **SC10GHH** **220-240V/50Hz** Conf. 1 Sales code: **104G8071**

Optimization + standard conditions

R134a, 220V/50Hz, CSCR, fan 1,5m/s, VDE

Evaporating pressure (saturation temperature)					Condensing pressure (saturation temperature)						Power consumption						
				Return gas temp.		Liquid temp.		Cooling capacity	COP	EER	P1	Current consumption		Ref. mass flow			
pe	pc	RGT	Tliq	[W]	[Btu/h]	[kcal/h]	[W/W]					[Btu/Wh]	[kcal/Wh]		[W]	I	m
[°C]	[°F]	[°C]	[°F]	[W]	[Btu/h]	[kcal/h]	[W/W]	[Btu/Wh]	[kcal/Wh]	[W]	[A]	[kg/h]	ASHRAE HBP				
7,2	45	54	130	35	95	46	115	931,7	3182	801,9	2,62	8,96	2,26	355,3	1,58	20,67	ASHRAE HBP
5	41	55	131	32	90	55	131	762,1	2603	655,9	2,21	7,53	1,90	345,4	1,53	18,78	cecomaf HBP
5	41	50	122	20	68	50	122	795,3	2716	684,4	2,41	8,23	2,07	330,2	1,47	20,04	EN12900 HBP
-7	20	54	130	35	95	46	115	473,1	1616	407,2	1,69	5,79	1,46	279,3	1,23	10,32	ASHRAE MBP
-10	14	55	131	32	90	55	131	352,1	1202	303,0	1,35	4,62	1,16	260,1	1,15	8,51	cecomaf MBP
-10	14	45	113	20	68	45	113	424,2	1449	365,0	1,68	5,73	1,44	252,7	1,11	9,93	EN12900 MBP

Performance tables

R134a, 220V/50Hz, CSCR, fan 1,5m/s, VDE

	pe		Cooling capacity			COP	EER	P1	I	m	
	[°C]	[°F]	[W]	[Btu/h]	[kcal/h]	[W/W]	[Btu/Wh]	[kcal/Wh]	[W]	[A]	[kg/h]
[°C / °F]	-15	5	328,1	1121	282,4	1,42	4,85	1,22	231,0	1,03	7,15
cond. pressure	-10	14	440,0	1503	378,7	1,74	5,95	1,50	252,7	1,11	9,63
pc= 45/113	-5	23	573,9	1960	493,9	2,09	7,15	1,80	274,0	1,20	12,62
return gas temp.	0	32	729,5	2491	627,8	2,48	8,46	2,13	294,6	1,30	16,13
RGT= 32/90	5	41	907,0	3097	780,5	2,89	9,86	2,49	314,0	1,39	20,19
liquid temp	10	50	1106,2	3778	952,0	3,33	11,38	2,87	331,9	1,47	24,82
Tliq= 45/113	15	59	1327,1	4532	1142,1	3,81	13,02	3,28	348,0	1,55	30,06
[°C / °F]	-15	5	259,0	884	222,9	1,13	3,84	0,97	230,1	1,03	6,23
cond. pressure	-10	14	352,1	1202	303,0	1,35	4,62	1,16	260,1	1,15	8,51
pc= 55/131	-5	23	467,0	1595	401,9	1,61	5,51	1,39	289,5	1,28	11,35
return gas temp	0	32	603,7	2062	519,5	1,90	6,48	1,63	318,1	1,40	14,77
RGT= 32/90	5	41	762,1	2603	655,9	2,21	7,53	1,90	345,4	1,53	18,78
liquid temp	10	50	942,2	3218	810,9	2,54	8,67	2,18	371,1	1,66	23,42
Tliq= 55/131	15	59	1143,9	3907	984,5	2,90	9,89	2,49	394,8	1,77	28,73



SC Compressors





SC Compressors

Service/Repair – R290



8545



Secop accepts no responsibility for possible errors in catalogs, brochures, and other printed material. Secop reserves the right to alter its products without notice. This also applies to products already on order provided that such alterations can be made without subsequent changes being necessary to specifications already agreed. All trademarks in this material are the property of the respective companies. Secop and the Secop logotype are trademarks of Secop GmbH. All rights reserved. www.secop.com