

Single Pack KLE8.6GFTX 200-240V 50Hz / 208-230V 60Hz CSIR

Single pack code number: **195B4779**

Position	Title	Code	Amount
1	Compressor KLE8.6GFTX	106G5903	1
2	KL accessories	103N1060	1
3	Starting capacitor (80 μ F 220V, 6.3mm)	117U5001	1
4	Starting relay (QLZ-5.5A, overload protector T0377/L6)	117U7071	1
5	Bolt joint for one compressor M6 \varnothing 16mm	118-1917	1

Secop GmbH • Lise-Meitner-Straße 29 • 24941 Flensburg, Germany • Tel: +49 461 4941 0 • www.secop.com

Secop accepts no responsibility for possible errors in catalogs, brochures, and other printed material. Secop reserves the right to alter its products without notice. This also applies to products already on order provided that such alterations can be made without subsequent changes being necessary to specifications already agreed. All trademarks in this material are the property of the respective companies. Secop and the Secop logotype are trademarks of Secop GmbH. All rights reserved.

Model

Designation	KLE8.6GFTX	220-240V/50Hz 1~ 208-230V/60Hz 1~	Sales code:	106G5903
-------------	-------------------	-----------------------------------	-------------	-----------------

Compressor design

Oil type	Polyolester	Refrigerant(s)	R134a, R513A
Oil viscosity	19,2cSt	Displacement	8,6cm ³ / 0,52cu.in
Oil quantity	240cm ³ / 8,1fl.oz	Compressors on pallet	100
Refr. charge - tech. limit	250g / 8,8oz		
Free gas volume comp.	1495cm ³ / 50,6fl.oz		
Weight	9,7kg / 21,4lbs		
Motor protection	external		
Winding resistance main	8,4Ω (at 25°C)		
Winding resistance aux	11,9Ω (at 25°C)		
Max. winding temp.	125°C / 257°F		
Max. discharge temp.	130°C / 266°F		
Additional note	Good robustness against liquid intake. Ice-cube maker optimization - indirect suction intake.		



General - Configurations with KLE8.6GFTX

	Conf. 1	Conf. 2
Motorconfiguration	CSIR	CSIR
Power supply (nominal)	220-240V/50Hz	208-230V/60Hz
Number of phases	1	1
Voltage range	187-254V	198-253V
Approvals	VDE, (UL,CB) in progress	VDE, (UL,CB) in progress
Starting torque	HST	HST
Note	- / -	

Applications with KLE8.6GFTX

	Conf. 1	Conf. 2
Refrigerant	R134a	R134a
Application	LBP+MBP+HBP	LBP+MBP
System cooling	fan 3m/s	fan 3m/s
Hot gas defrost	OK	OK
Long interval pull down	OK	OK

Electrical data - Configurations with KLE8.6GFTX

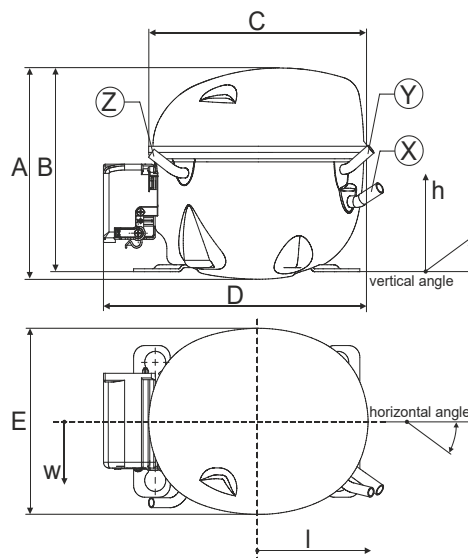
	Conf. 1	Conf. 2
Starting device type	relay	relay
Run capacitor	-/-	-/-
Start capacitor	80μF	80μF
LRA (locked rotor amps / 4s/ U(N))	13,5A	13,5A
RLA (rated load amps / 1s/ U(N))	2,1A	2,1A
Cut in current (U(N))	12,3A	12,3A

Model

Designation	KLE8.6GFTX	220-240V/50Hz 1~ 208-230V/60Hz 1~	Sales code:	106G5903
-------------	-------------------	-----------------------------------	-------------	-----------------

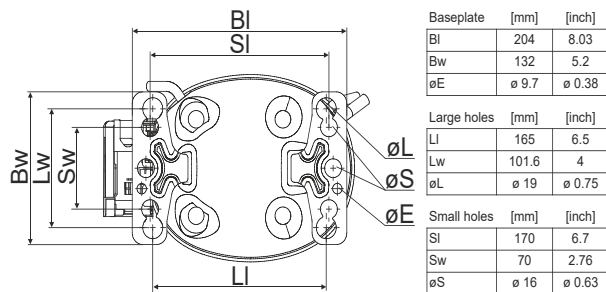
Compressor dimensions

Housing	A Height	182mm / 7,17in
	B Height	175mm / 6,89in
	C Length shell	198mm / 7,8in
	D Length w. cover	238mm / 9,37in
	E Width	160mm / 6,3in



Connectors		Suction	Discharge	Process
		X	Y	Z
Diameter	[mm]	øi 8,11-8,29	øi 6,11-6,29	øi 6,11-6,29
(i:inside, o:outside)	[in]	øi 0,32-0,33	øi 0,24-0,25	øi 0,24-0,25
Material		copper	copper	copper
Horizontal angle	±2°	35°	13°	0°
Vertical angle	±2°	30°	40°	145°
Position l/h/w	[mm]	119/73/59	117/107/66	-88/101/71
	[in]	4,7/2,9/2,3	4,6/4,2/2,6	-3,5/4/2,8
Straight tube l.	[mm]	14	14	14
	[in]	0,5	0,5	0,5

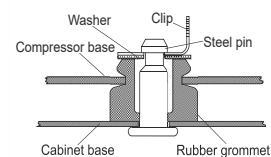
Compressor fixation



Bolt joint



Snap-on



Mounting accessories	one comp.	multi pack
Bolt joint M6 ø16mm	118-1917	118-1918
Bolt joint ø1/4" ø16mm	118-1946	
Bolt joint ø1/4" ø19mm	118-1949	
Snap-on ø7,3 ø16mm	118-1947	118-1919

Application notes

Provision for PE Grounding is located at the PE Stamp on the compressor

Suctiongas connector and Process connector can be switched (minor loss of cooling capacity)

Model

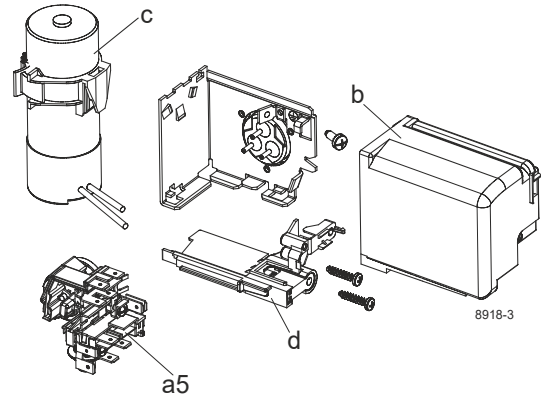
Designation	KLE8.6GFTX	220-240V/50Hz	Conf. 1	Sales code:	106G5903
-------------	-------------------	----------------------	----------------	-------------	-----------------

Configuration

Motorconfiguration	CSIR
Power supply (nominal)	220-240V/50Hz 1~
Refrigerant	R134a
Application	LBP+MBP+HBP
Voltage range	187-254V
Starting torque	HST
Approvals	VDE (UL,CB) in progress

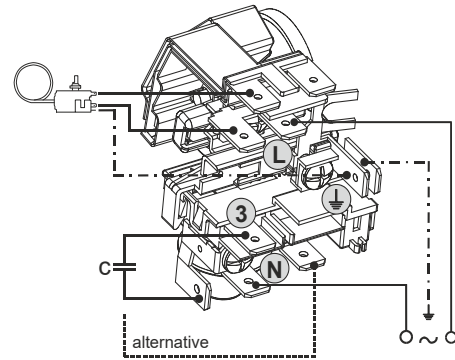
Electrical accessories / wiring diagram

CSIR

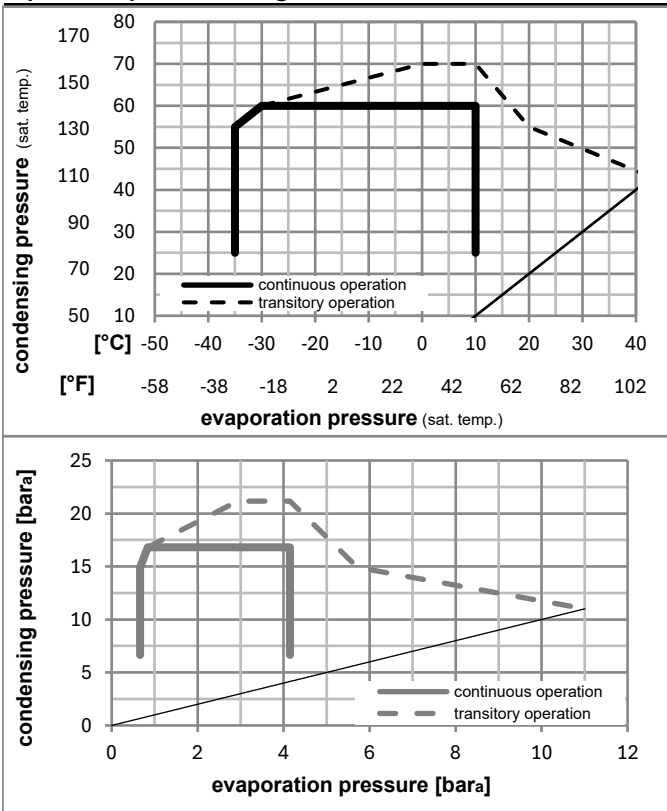


Ambient/ machine room temperatures minimum /maximum

Ambient temperature range:	10 - 43°C / 50 - 110°F
Machine room temperature range:	10 - 48°C / 50 - 119°F
Compressor cooling:	fan 3m/s



Operation pressure range



Components

a5	current relay (T0377/L6-S1)	117U7071
c	start capacitor (80µF, 6.3mm)	117U5001
b, d	cover + clamp + screws(5VA-compl.)	103N0600

Alternative components

b, d	100x cover + clamp + screws(5VA)	103N2060
b, d	cover + clamp + screws(5VA) in bag	103N1060

Model

Designation **KLE8.6GFTX** **220-240V/50Hz** Conf. 1 Sales code: **106G5903**

Optimization + standard conditions

R134a, 220V/50Hz, CSIR, fan 3m/s, VDE, (UL,CB) in progress

	Evaporating pressure (saturation temperature)				Cooling capacity			COP	EER	Power consumption			ASHRAE / EN	
	pe	pc	RGT	Tliq	[W]	[Btu/h]	[kcal/h]			P1	I	m		
	[°C]	[°C]	[°C]	[°C]	[W]	[Btu/h]	[kcal/h]	[W/W]	[Btu/Wh]	[kcal/Wh]	[W]	[A]	[kg/h]	
	-23	54	32	32	248,1	847	213,5	1,33	4,53	1,14	186,9	1,41	4,82	ASHRAE LBP
	[°F]													
	-10	130	90	90										
	-7	54	35	46	517,3	1767	445,2	1,78	6,08	1,53	290,4	1,82	11,29	ASHRAE MBP
	[°F]													
	20	130	95	115										
	7,2	54	35	46	901,6	3079	775,9	2,31	7,90	1,99	389,6	2,27	20,00	ASHRAE HBP
	[°F]													
	45	130	95	115										
	-35	40	20	40	131,2	448	112,9	1,04	3,56	0,90	125,9	1,23	2,88	EN12900 LBP
	[°F]													
	-31	104	68	104										
	-10	45	20	45	450,8	1540	388,0	1,81	6,17	1,56	249,4	1,65	10,55	EN12900 MBP
	[°F]													
	14	113	68	113										
	5	50	20	50	773,5	2642	665,7	2,19	7,47	1,88	353,9	2,10	19,49	EN12900 HBP
	[°F]													
	41	122	68	122										

Performance tables

R134a, 220V/50Hz, CSIR, fan 3m/s, VDE, (UL,CB) in progress

	pe		Cooling capacity			COP	EER	P1	I	m	
	[°C]	[°F]	[W]	[Btu/h]	[kcal/h]						
[°C / °F]	-35	-31	123,6	422	106,4	0,98	3,35	0,84	126,0	1,23	2,67
cond. pressure	-25	-13	216,6	740	186,4	1,25	4,28	1,08	172,9	1,37	4,69
pc= 45/113	-15	5	368,2	1257	316,9	1,65	5,63	1,42	223,3	1,55	8,03
return gas temp.	-10	14	467,7	1597	402,5	1,87	6,40	1,61	249,4	1,65	10,24
RGT= 32/90	0	32	717,8	2452	617,8	2,37	8,09	2,04	303,1	1,87	15,87
liquid temp	5	41	869,9	2971	748,6	2,63	8,99	2,27	330,4	1,99	19,37
Tliq= 45/113	10	50	1040,8	3555	895,8	2,91	9,94	2,50	357,6	2,12	23,36
[°C / °F]	-35	-31	96,4	329	83,0	0,76	2,58	0,65	127,6	1,24	2,30
cond. pressure	-25	-13	181,7	621	156,4	1,02	3,48	0,88	178,1	1,38	4,35
pc= 55/131	-15	5	315,1	1076	271,2	1,33	4,54	1,14	237,0	1,60	7,59
return gas temp	-10	14	401,6	1372	345,7	1,49	5,09	1,28	269,2	1,73	9,71
RGT= 32/90	0	32	618,0	2110	531,8	1,83	6,23	1,57	338,6	2,03	15,12
liquid temp	5	41	749,2	2559	644,7	2,00	6,81	1,72	375,4	2,20	18,46
Tliq= 55/131	10	50	896,7	3062	771,7	2,17	7,41	1,87	413,6	2,38	22,29

Model

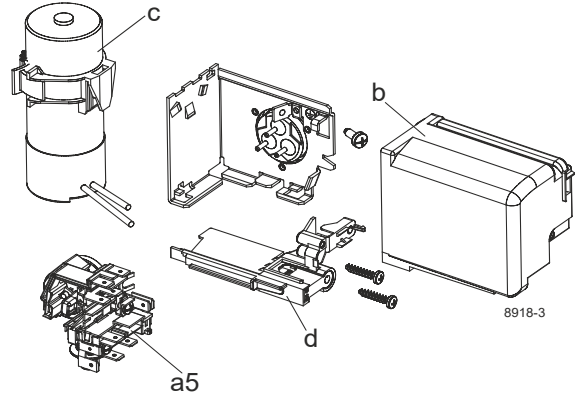
Designation	KLE8.6GFTX	208-230V/60Hz	Conf. 2	Sales code:	106G5903
-------------	-------------------	----------------------	----------------	-------------	-----------------

Configuration

Motorconfiguration	CSIR
Power supply (nominal)	208-230V/60Hz 1~
Refrigerant	R134a
Application	LBP+MBP
Voltage range	198-253V
Starting torque	HST
Approvals	VDE
	(UL,CB) in progress

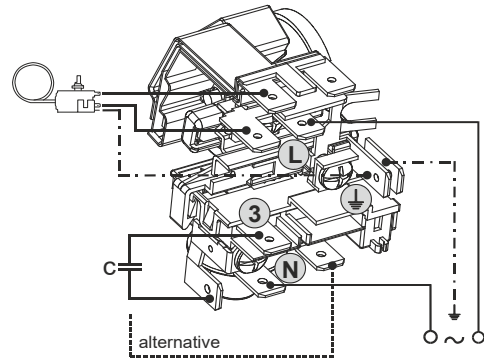
Electrical accessories / wiring diagram

CSIR

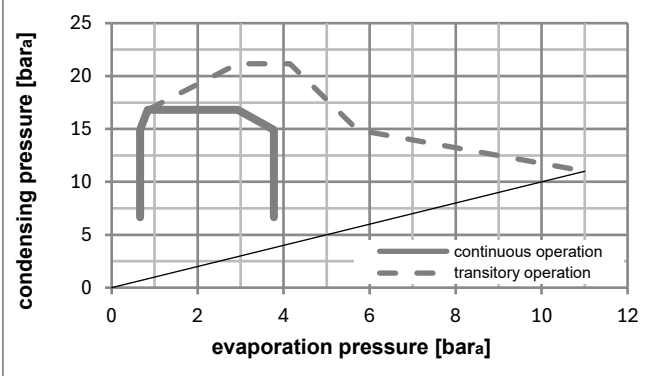
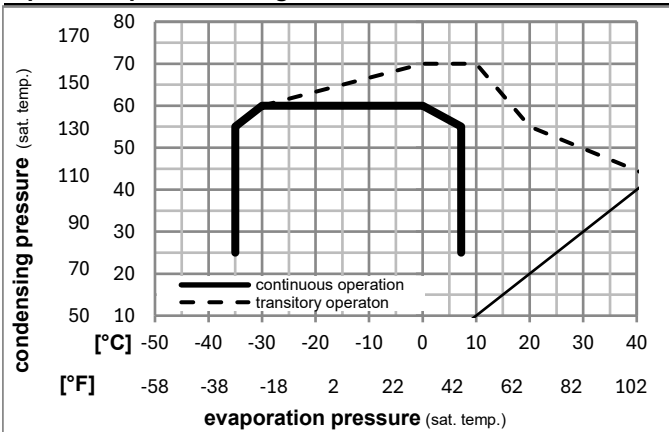


Ambient/ machine room temperatures minimum /maximum

Ambient temperature range:	10 - 43°C / 50 - 110°F
Machine room temperature range:	10 - 48°C / 50 - 119°F
Compressor cooling:	fan 3m/s



Operation pressure range



Components

a5	current relay (T0377/L6-S1)	117U7071
c	start capacitor (80µF, 6.3mm)	117U5001
b, d	cover + clamp + screws(5VA-compl.)	103N0600

Alternative components

b, d	100x cover + clamp + screws(5VA)	103N2060
b, d	cover + clamp + screws(5VA) in bag	103N1060

Model

Designation **KLE8.6GFTX** **208-230V/60Hz** Conf. 2 Sales code: **106G5903**

Optimization + standard conditions

R134a, 230V/60Hz, CSIR, fan 3m/s, VDE, (UL,CB) in progress

	Evaporating pressure (saturation temperature)				Condensing pressure (saturation temperature)			Return gas temp.	Liquid temp.	Cooling capacity	COP	EER	Power consumption			Ref. mass flow
	pe	pc	RGT	Tliq	[W]	[Btu/h]	[kcal/h]						P1	I	m	
[°C]																
[°F]	-23	54	32	32	299,2	1022	257,5	1,35	4,60	1,16	222,1	1,41	5,81	ASHRAE LBP		
[°C]	-7	54	35	46	617,4	2109	531,4	1,78	6,07	1,53	347,4	1,86	13,47	ASHRAE MBP		
[°F]	20	130	95	115												
[°C]	7,2	54	35	46	1076,9	3678	926,8	2,31	7,90	1,99	465,4	2,35	23,89	ASHRAE HBP		
[°F]	45	130	95	115												
[°C]	-35	40	20	40	156,3	534	134,6	1,12	3,84	0,97	139,1	1,17	3,43	EN12900 LBP		
[°F]	-31	104	68	104												
[°C]	-10	45	20	45	537,4	1835	462,5	1,80	6,16	1,55	298,1	1,67	12,58	EN12900 MBP		
[°F]	14	113	68	113												
[°C]	5	50	20	50	923,1	3153	794,5	2,19	7,46	1,88	422,4	2,17	23,26	EN12900 HBP		
[°F]	41	122	68	122												

Performance tables

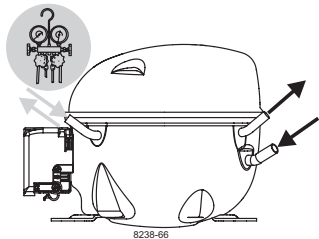
R134a, 230V/60Hz, CSIR, fan 3m/s, VDE, (UL,CB) in progress

	pe		Cooling capacity			COP	EER	P1	I	m	
	[°C]	[°F]	[W]	[Btu/h]	[kcal/h]	[W/W]	[Btu/Wh]	[kcal/Wh]	[W]	[A]	[kg/h]
[°C / °F]	-35	-31	147,7	504	127,1	1,06	3,61	0,91	139,8	1,17	3,19
cond. pressure	-25	-13	259,6	886	223,4	1,27	4,34	1,09	204,1	1,35	5,62
pc= 45/113	-15	5	439,4	1501	378,2	1,65	5,62	1,42	266,8	1,56	9,58
return gas temp.	-10	14	557,6	1904	479,8	1,87	6,39	1,61	298,1	1,67	12,20
RGT= 32/90	-5	23	695,9	2377	598,9	2,11	7,21	1,82	329,7	1,79	15,30
liquid temp	0	32	855,5	2922	736,2	2,37	8,08	2,04	361,6	1,92	18,92
Tliq= 45/113	7,2	45	1124,8	3841	968,0	2,75	9,40	2,37	408,7	2,11	25,12
[°C / °F]	-35	-31	117,8	402	101,4	0,83	2,84	0,72	141,6	1,18	2,80
cond. pressure	-25	-13	219,7	750	189,0	1,04	3,56	0,90	210,7	1,37	5,25
pc= 55/131	-15	5	377,4	1289	324,8	1,33	4,54	1,14	283,8	1,62	9,09
return gas temp	-10	14	479,9	1639	413,0	1,49	5,08	1,28	322,4	1,77	11,60
RGT= 32/90	-5	23	599,5	2047	515,9	1,65	5,65	1,42	362,5	1,92	14,57
liquid temp	0	32	737,3	2518	634,5	1,82	6,23	1,57	404,4	2,09	18,03
Tliq= 55/131	7,2	45	970,0	3313	834,8	2,07	7,07	1,78	468,3	2,36	23,99



KL Compressors

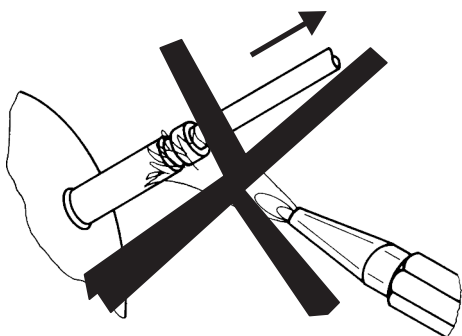




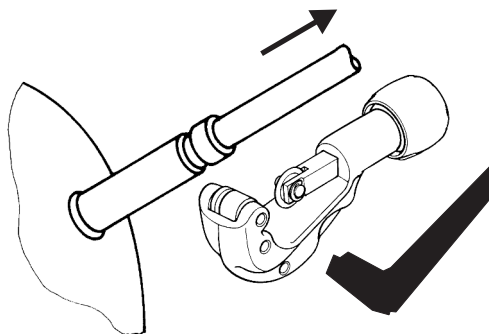
KL Compressors



Service/Repair – R290



8545



Secop accepts no responsibility for possible errors in catalogs, brochures, and other printed material. Secop reserves the right to alter its products without notice. This also applies to products already on order provided that such alterations can be made without subsequent changes being necessary to specifications already agreed. All trademarks in this material are the property of the respective companies. Secop and the Secop logotype are trademarks of Secop GmbH. All rights reserved. www.secop.com