

Model

Designation	KLE7.7CFHX	115-127V/60Hz 1~	Sales code:	106G6803
-------------	-------------------	------------------	-------------	-----------------

Compressor design

Oil type	Polyolester	Refrigerant(s)	R134a, R513A
Oil viscosity	19,2cSt	Displacement	7,7cm ³ / 0,47cu.in
Oil quantity	200cm ³ / 6,8fl.oz	Compressors on pallet	100
Refr. charge - tech. limit	300g / 10,6oz		
Free gas volume comp.	1575cm ³ / 53,3fl.oz		
Weight	9,6kg / 21,2lbs		
Motor protection	external		
Winding resistance main	2Ω (at 25°C)		
Winding resistance aux	5,3Ω (at 25°C)		
Max. winding temp.	125°C / 257°F		
Max. discharge temp.	130°C / 266°F		
Additional note	Good robustness against liquid intake. Ice-cube maker optimization - indirect suction intake.		



General - Configurations with KLE7.7CFHX

	Conf. 1
Motorconfiguration	CSIR
Power supply (nominal)	115-127V/60Hz
Number of phases	1
Voltage range	95-140V
Approvals	UL
Starting torque	HST
Note	- / -

Applications with KLE7.7CFHX

	Conf. 1
Refrigerant	R134a
Application	LBP+MBP
System cooling	fan 3m/s
Hot gas defrost	OK
Long interval pull down	OK

Electrical data - Configurations with KLE7.7CFHX

	Conf. 1
Starting device type	relay
Run capacitor	-/-
Start capacitor	240μF
LRA (locked rotor amps / 4s/ U(N))	31,1A
RLA (rated load amps / 1s/ U(N))	4,3A
Cut in current (U(N))	27,8A

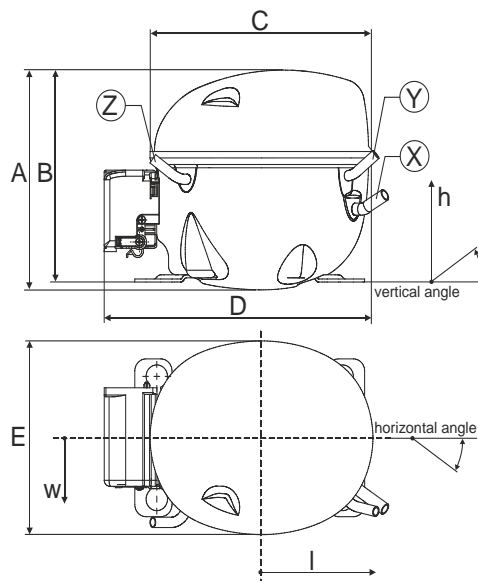
Model

Designation **KLE7.7CFHX** 115-127V/60Hz 1~ Sales code: **106G6803**

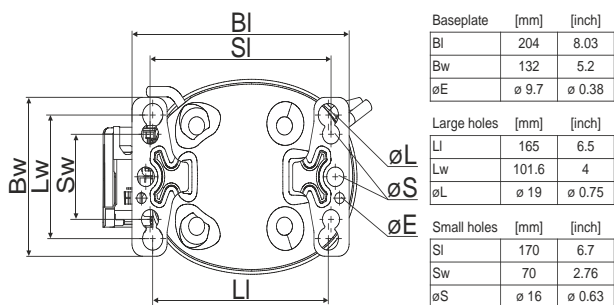
Compressor dimensions

Housing	A Height	182mm / 7,17in
	B Height	175mm / 6,89in
	C Length shell	198mm / 7,8in
	D Length w. cover	238mm / 9,37in
	E Width	160mm / 6,3in

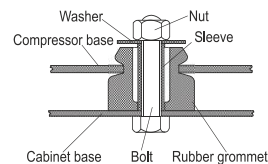
Connectors		Suction	Discharge	Process
		X	Y	Z
Diameter	[mm]	øi 8,11-8,29	øi 6,41-6,59	øi 6,41-6,59
(i:inside, o:outside)	[in]	øi 0,32-0,33	øi 0,25-0,26	øi 0,25-0,26
Material		copper	copper	copper
Horizontal angle	±2°	35°	13°	0°
Vertical angle	±2°	30°	40°	145°
Position l/h/w	[mm]	119/73/59	117/107/66	-88/101/71
	[in]	4,7/2,9/2,3	4,6/4,2/2,6	-3,5/4/2,8
Straight tube l.	[mm]	14	14	14
	[in]	0,5	0,5	0,5



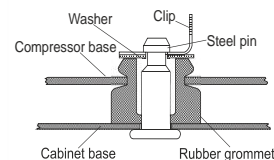
Compressor fixation



Bolt joint



Snap-on



Mounting accessories	one comp.	multi pack
Bolt joint M6 ø16mm	118-1917	118-1918
Bolt joint ø1/4" ø16mm	118-1946	
Bolt joint ø1/4" ø19mm	118-1949	
Snap-on ø7,3 ø16mm	118-1947	118-1919

Application notes

Provision for PE Grounding is located at the PE Stamp on the compressor

Suctiongas connector and Process connector can be switched (minor loss of cooling capacity)

Model

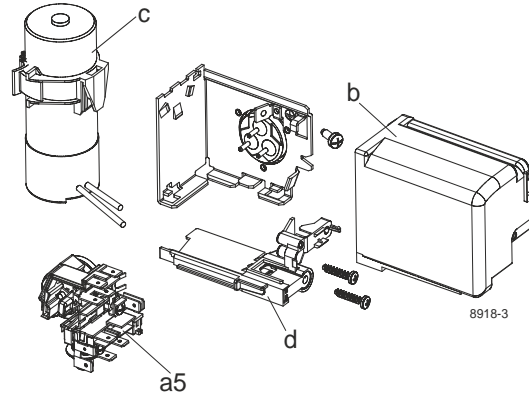
Designation	KLE7.7CFHX	115-127V/60Hz	Conf. 1	Sales code:	106G6803
-------------	-------------------	----------------------	---------	-------------	-----------------

Configuration

Motorconfiguration	CSIR
Power supply (nominal)	115-127V/60Hz 1~
Refrigerant	R134a
Application	LBP+MBP
Voltage range	95-140V
Starting torque	HST
Approvals	UL

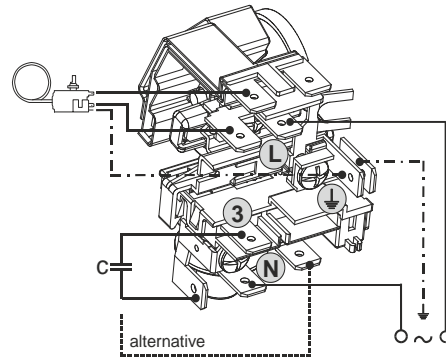
Electrical accessories / wiring diagram

CSIR

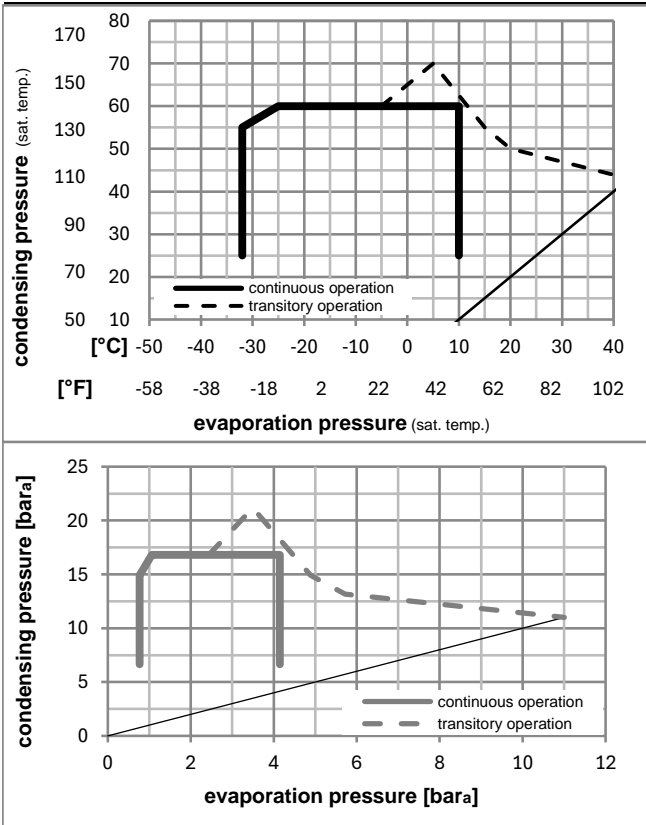


Ambient/ machine room temperatures minimum /maximum

Ambient temperature range:	10 - 43°C / 50 - 110°F
Machine room temperature range:	10 - 48°C / 50 - 119°F
Compressor cooling:	fan 3m/s



Operation pressure range



Components

a5	current relay (T1217/L6-S5)	117U7075
c	start capacitor (240µF)	117U5002
b, d	cover + clamp + screws(5VA-compl.)	103N0600

Alternative components

b, d	100x cover + clamp + screws(5VA)	103N2060
b, d	cover + clamp + screws(5VA) in bag	103N1060

Model

Designation **KLE7.7CFHX 115-127V/60Hz** Conf. 1 Sales code: **106G6803**

Optimization + standard conditions

R134a, 120V/60Hz, CSIR, fan 3m/s, UL

	pe	pc	RGT	Tliq	Cooling capacity		COP	EER		P1	I	Ref. mass flow	
	[°C]	[°C]	[°C]	[°C]	[W]	[Btu/h]	[W/W]	[Btu/Wh]	[kcal/Wh]	[W]	[A]	[kg/h]	
Evaporating pressure (saturation temperature)	-23	54	32	32	266,2	909	1,33	4,55	1,15	199,8	2,74	5,17	ASHRAE LBP
Condensing pressure (saturation temperature)	-10	130	90	90									
Return gas temp.													
Liquid temp.													
	[°F]	[°F]	[°F]	[°F]									
	-25	55	32	55	195,7	668	1,02	3,48	0,88	192,1	2,69	4,68	cecomaf LBP
	-13	131	90	131									
	[°C]	[°C]	[°C]	[°C]									
	-35	40	20	40	133,2	455	0,97	3,32	0,84	137,1	2,38	2,92	EN12900 LBP
	-31	104	68	104									
	[°F]	[°F]	[°F]	[°F]									
	-7	54	35	46	543,3	1855	1,81	6,20	1,56	299,5	3,46	11,85	ASHRAE MBP
	20	130	95	115									
	[°C]	[°C]	[°C]	[°C]									
	-10	55	32	55	422,6	1443	1,51	5,16	1,30	279,6	3,31	10,22	cecomaf MBP
	14	131	90	131									
	[°F]	[°F]	[°F]	[°F]									
	-10	45	20	45	467,0	1595	1,78	6,08	1,53	262,4	3,18	10,93	EN12900 MBP
	14	113	68	113									
	[°C]	[°C]	[°C]	[°C]									
	[°F]	[°F]	[°F]	[°F]									

Performance tables

R134a, 120V/60Hz, CSIR, fan 3m/s, UL

	pe	Cooling capacity			COP	EER	P1	I	m		
	[°C]	[°F]	[W]	[Btu/h]	[kcal/h]	[W/W]	[Btu/Wh]	[kcal/Wh]	[W]	[A]	[kg/h]
[°C / °F]	-23	-10	249,0	850	214,3	1,31	4,46	1,12	190,7	2,67	5,40
cond. pressure	-23	-10	249,0	850	214,3	1,31	4,46	1,12	190,7	2,67	5,40
pc= 45/113	-15	5	382,4	1306	329,1	1,63	5,56	1,40	234,8	2,98	8,34
return gas temp.	-9	15	496,9	1697	427,6	1,87	6,39	1,61	265,5	3,20	10,88
RGT= 32/90	0	32	744,9	2544	641,0	2,32	7,94	2,00	320,4	3,64	16,47
liquid temp	7,2	45	984,9	3364	847,6	2,70	9,22	2,32	364,9	4,01	22,00
Tliq= 45/113	10	50	1090,0	3722	938,0	2,85	9,73	2,45	382,6	4,16	24,46
[°C / °F]	-23	-10	215,1	735	185,1	1,07	3,65	0,92	201,2	2,75	5,15
cond. pressure	-23	-10	215,1	735	185,1	1,07	3,65	0,92	201,2	2,75	5,15
pc= 55/131	-15	5	333,1	1138	286,7	1,34	4,57	1,15	249,1	3,08	8,02
return gas temp	-9	15	433,5	1481	373,1	1,53	5,23	1,32	283,1	3,34	10,49
RGT= 32/90	0	32	650,4	2221	559,7	1,88	6,43	1,62	345,4	3,84	15,91
liquid temp	7,2	45	860,7	2939	740,7	2,17	7,41	1,87	396,8	4,27	21,29
Tliq= 55/131	10	50	952,9	3254	820,0	2,28	7,79	1,96	417,5	4,45	23,69