

Model

| | | | | |
|-------------|------------------|------------------|-------------|-----------------|
| Designation | KLF4.0CND | 220-240V/50Hz 1~ | Sales code: | 106H2411 |
|-------------|------------------|------------------|-------------|-----------------|

Compressor design

| | | | |
|----------------------------|---------------------------------|-----------------------|------------------------------|
| Oil type | Polyolester | Refrigerant(s) | R290 |
| Oil viscosity | 10,4cSt | Displacement | 4cm ³ / 0,24cu.in |
| Oil quantity | 170cm ³ / 5,7fl.oz | Compressors on pallet | 100 |
| Refr. charge - tech. limit | 200g / 7,1oz | | |
| Free gas volume comp. | 1630cm ³ / 55,1fl.oz | | |
| Weight | 8,95kg / 19,7lbs | | |
| Motor protection | external | | |
| Winding resistance main | 13,1Ω (at 25°C) | | |
| Winding resistance aux | 25,3Ω (at 25°C) | | |
| Max. winding temp. | 125°C / 257°F | | |
| Max. discharge temp. | 130°C / 266°F | | |



General - Configurations with KLF4.0CND

| | |
|------------------------|---|
| | Conf. 1 |
| Motorconfiguration | CSIR |
| Power supply (nominal) | 220-240V/50Hz |
| Number of phases | 1 |
| Voltage range | 198-254V |
| Approvals | VDE, CCC |
| Starting torque | HST |
| Note | Electrical equipment is included and pre-assembled to compressor. |

Applications with KLF4.0CND

| | |
|-------------------------|----------------|
| | Conf. 1 |
| Refrigerant | R290 |
| Application | LBP+MBP |
| System cooling | fan 3m/s |
| Hot gas defrost | OK |
| Long interval pull down | OK |

Electrical data - Configurations with KLF4.0CND

| | |
|------------------------------------|----------------|
| | Conf. 1 |
| Starting device type | relay |
| Run capacitor | -/- |
| Start capacitor | 80μF |
| LRA (locked rotor amps / 4s/ U(N)) | 10,2A |
| RLA (rated load amps / 1s/ U(N)) | 1,4A |
| Cut in current (U(N)) | 10,2A |

Model

Designation

KLF4.0CND

220-240V/50Hz 1~

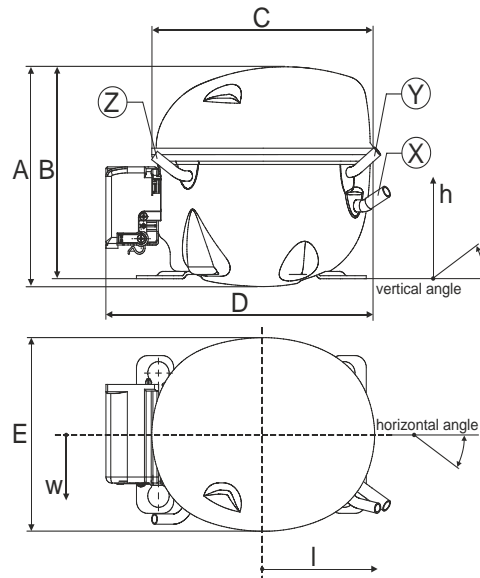
Sales code:

106H2411

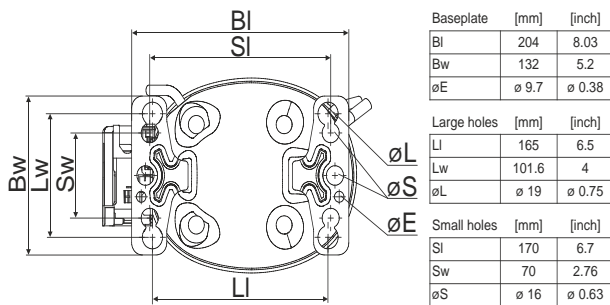
Compressor dimensions

| Housing | A Height | 182mm / 7,17in |
|---------|-------------------|----------------|
| | B Height | 175mm / 6,89in |
| | C Length shell | 198mm / 7,8in |
| | D Length w. cover | 238mm / 9,37in |
| | E Width | 160mm / 6,3in |

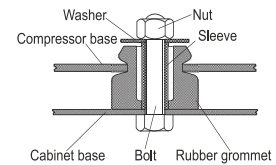
| Connectors | | Suction | Discharge | Process |
|-----------------------|------|--------------|--------------|--------------|
| | | X | Y | Z |
| Diameter | [mm] | øi 8,11-8,29 | øi 6,11-6,29 | øi 6,11-6,29 |
| (i:inside, o:outside) | [in] | øi 0,32-0,33 | øi 0,24-0,25 | øi 0,24-0,25 |
| Material | | copper | copper | copper |
| Horizontal angle | ±2° | 35° | 13° | 0° |
| Vertical angle | ±2° | 30° | 40° | 145° |
| Position l/h/w | [mm] | 119/73/59 | 117/107/66 | -88/101/71 |
| | [in] | 4,7/2,9/2,3 | 4,6/4,2/2,6 | -3,5/4/2,8 |
| Straight tube l. | [mm] | 14 | 14 | 14 |
| | [in] | 0,5 | 0,5 | 0,5 |



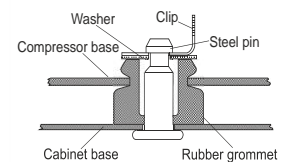
Compressor fixation



Bolt joint



Snap-on



| Mounting accessories | one comp. | multi pack |
|----------------------------|-----------|------------|
| Bolt joint M6 ø16mm | 118-1917 | 118-1918 |
| Bolt joint ø1/4" ø16mm | 118-1946 | |
| Bolt joint ø1/4" ø19mm | 118-1949 | |
| Snap-on ø7,3 ø16mm | 118-1947 | 118-1919 |

Application notes

Provision for PE Grounding is located at the PE Stamp on the compressor

Model

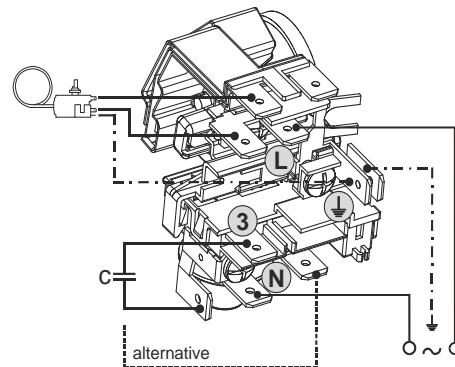
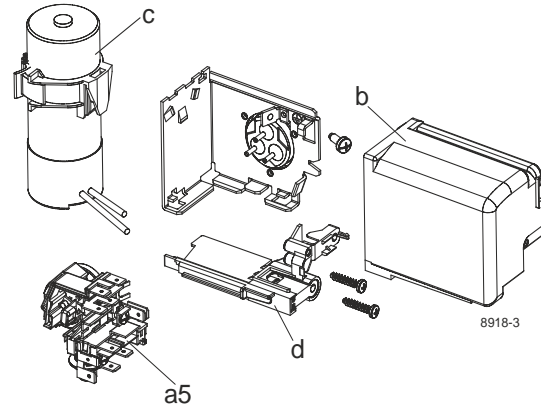
Designation **KLF4.0CND** **220-240V/50Hz** Conf. 1 Sales code: **106H2411**

Configuration

Motorconfiguration CSIR
 Power supply (nominal) 220-240V/50Hz 1~
 Refrigerant R290
 Application LBP+MBP
 Voltage range 198-254V
 Starting torque HST
 Approvals VDE
 CCC

Electrical accessories / wiring diagram

CSIR



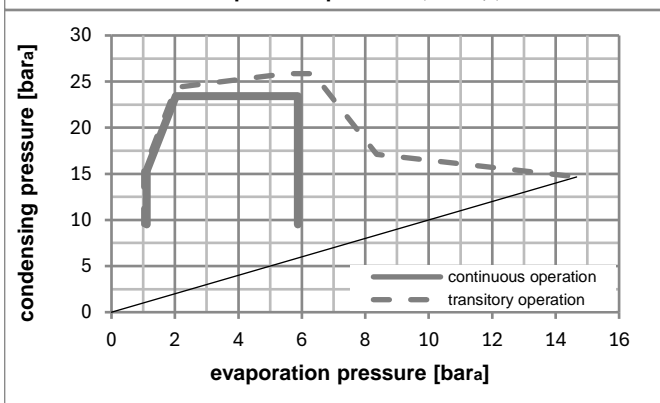
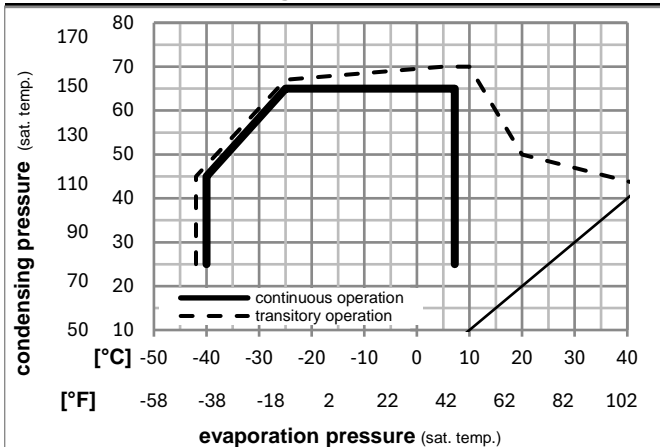
Ambient/ machine room temperatures minimum /maximum

Ambient temperature range: 10 - 43°C / 50 - 110°F

Machine room temperature range: 10 - 48°C / 50 - 119°F

Compressor cooling: fan 3m/s

Operation pressure range



Components (incl. and pre. assembl.)

| | | |
|----|-------------------------------|----------|
| a5 | current relay (T1189/L6-S3) | 117U7073 |
| c | start capacitor (80µF, 6.3mm) | 117U5001 |
| b | cover terminal board | 10636401 |
| . | screw uni en iso 4757 | 10641201 |

Alternative comp.

| | | |
|---|-----------------|----------|
| . | cable clamp | 16058100 |
| . | screw - uni6954 | 10636000 |
| . | screw - uni6954 | 10636200 |

