

## Model

Designation	<b>KLF4.0CNHS</b>	115-127V/60Hz 1~	Sales code:	<b>106H3413</b>
-------------	-------------------	------------------	-------------	-----------------

## Compressor design

Oil type	Polyolester	Refrigerant(s)	<b>R290</b>
Oil viscosity	9,7cST	Displacement	4cm <sup>3</sup> / 0,24cu.in
Oil quantity	170cm <sup>3</sup> / 5,7fl.oz	Compressors on pallet	100
Refr. charge - tech. limit	200g / 7,1oz		
Free gas volume comp.	1630cm <sup>3</sup> / 55,1fl.oz		
Weight	8,3kg / 18,3lbs		
Motor protection	external		
Winding resistance main	3,4Ω (at 25°C)		
Winding resistance aux	8Ω (at 25°C)		
Max. winding temp.	125°C / 257°F		
Max. discharge temp.	130°C / 266°F		
Additional note	Very good robustness against liquid intake. Ice-cube maker optimization - indirect suction intake.		



## General - Configurations with KLF4.0CNHS

	<b>Conf. 1</b>
Motorconfiguration	CSIR
Power supply (nominal)	115-127V/60Hz
Number of phases	1
Voltage range	95-140V
Approvals	UL, CCC
Starting torque	HST
Note	Electrical equipment is included and pre-assembled to compressor.

## Applications with KLF4.0CNHS

	<b>Conf. 1</b>
Refrigerant	R290
Application	LBP+MBP
System cooling	fan 3m/s
Hot gas defrost	OK
Long interval pull down	OK

## Electrical data - Configurations with KLF4.0CNHS

	<b>Conf. 1</b>
Starting device type	relay
Run capacitor	-/-
Start capacitor	240μF
LRA (locked rotor amps / 4s)	20,5A
RLA (rated load amps / 1s)	2,7A
Cut in current	20,5A

## Model

Designation

**KLF4.0CNHS**

115-127V/60Hz 1~

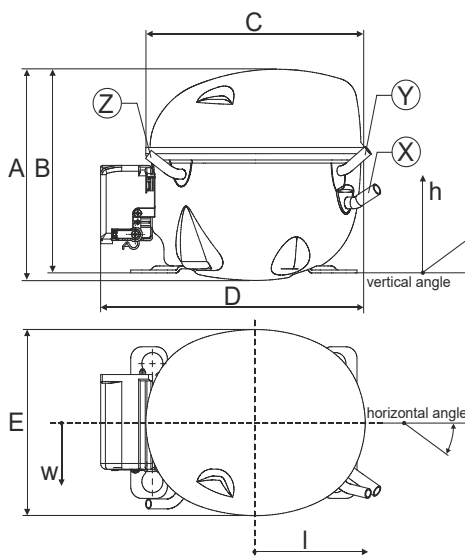
Sales code:

**106H3413**

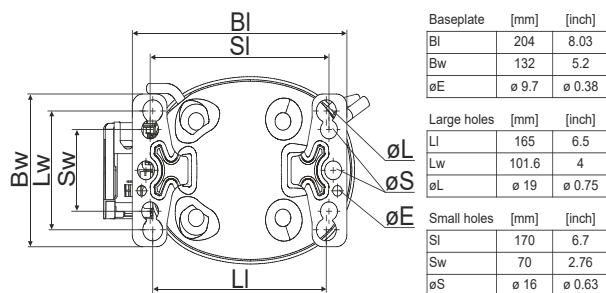
## Compressor dimensions

Housing	A Height	182mm / 7,17in
	B Height	175mm / 6,89in
	C Length shell	198mm / 7,8in
	D Length w. cover	238mm / 9,37in
	E Width	160mm / 6,3in

Connectors		Suction	Discharge	Process
		X	Y	Z
Diameter	[mm]	øi 8,11-8,29	øi 6,41-6,59	øi 6,41-6,59
	(i:inside, o:outside) [in]	øi 0,32-0,33	øi 0,25-0,26	øi 0,25-0,26
Material		copper	copper	copper
Horizontal angle	±2°	35°	13°	0°
Vertical angle	±2°	30°	40°	145°
Position l/h/w	[mm]	120/72/57	112/106/81	-97/94/72
	[in]	4,7/2,8/2,2	4,4/4,2/3,2	-3,8/3,7/2,8
Straight tube l.	[mm]	14	14	14
	[in]	0,5	0,5	0,5



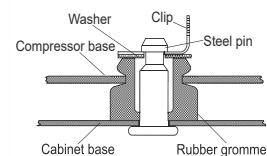
## Compressor fixation



### Bolt joint



### Snap-on



## Mounting accessories

	one comp.	multi pack
Bolt joint   M6   ø16mm	118-1917	118-1918
Bolt joint   ø1/4"   ø16mm	118-1946	
Bolt joint   ø1/4"   ø19mm	118-1949	
Snap-on   ø7,3   ø16mm	118-1947	118-1919

## Application notes

Provision for PE Grounding is located at the PE Stamp on the compressor

LRA value on compressor label and datasheet may differ due to different test conditions for UL approval.

### Model

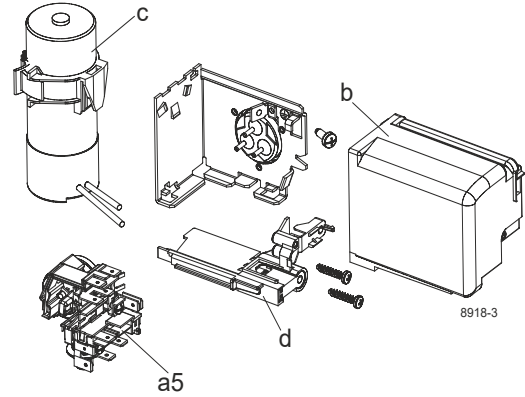
Designation	<b>KLF4.0CNHS</b>	<b>115-127V/60Hz</b>	Conf. 1	Sales code:	<b>106H3413</b>
-------------	-------------------	----------------------	---------	-------------	-----------------

### Configuration

Motorconfiguration	CSIR
Power supply (nominal)	115-127V/60Hz 1~
Refrigerant	R290
Application	LBP+MBP
Voltage range	95-140V
Starting torque	HST
Approvals	UL
	CCC

### Electrical accessories / wiring diagram

CSIR

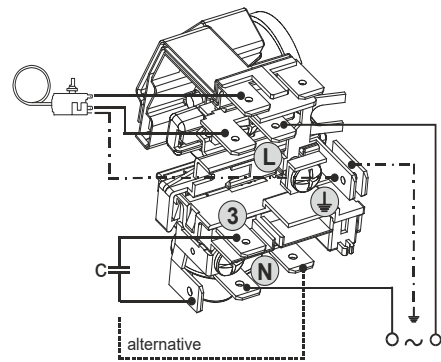


### Ambient/ machine room temperatures minimum /maximum

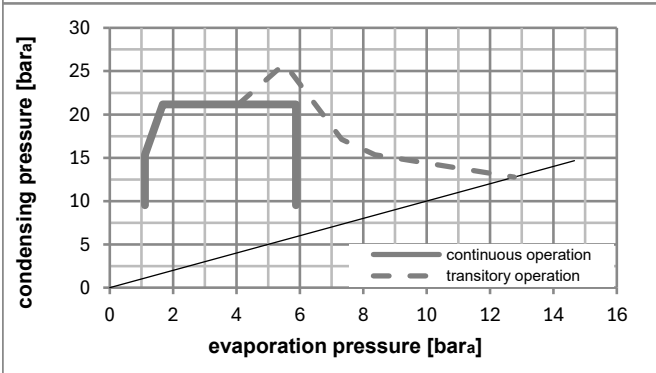
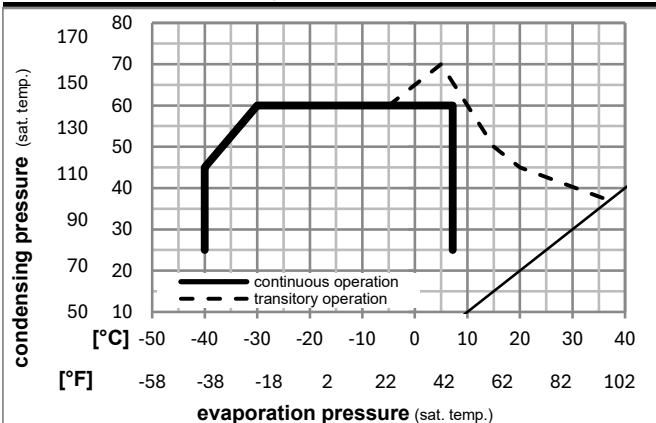
Ambient temperature range: 10 - 43°C / 50 - 110°F

Machine room temperature range: 10 - 48°C / 50 - 119°F

Compressor cooling: fan 3m/s



### Operation pressure range



### Components (already pre-assembled)

a5	current relay (T1209/L6-S4)	117U7074
c	start capacitor (240µF)	117U5002
b, d	cover + clamp + screws(5VA) in bag	103N1060

### Alternative comp. (already pre-assembled)

b, d	cover + clamp + screws(5VA-compl.)	103N0600
------	------------------------------------	----------

## Model

Designation **KLF4.0CNHS** **115-127V/60Hz** Conf. 1 Sales code: **106H3413**

## Optimization + standard conditions

R290, 115V/60Hz, CSIR, fan 3m/s, UL, CCC

	Evaporating pressure (saturation temperature)				Cooling capacity			COP	EER	P1	Power consumption		ASHRAE LBP	
	pe	pc	RGT	Tliq	[W]	[Btu/h]	[kcal/h]				I	m		
[°C]	-23	54	32	32	220,0	751	189,3	1,45	4,96	1,25	151,5	1,90	2,23	
[°F]	-10	130	90	90										
[°C]	-25	55	32	55	163,5	558	140,7	1,11	3,80	0,96	147,0	1,87	2,04	cecomaf LBP
[°F]	-13	131	90	131										
[°C]	-35	40	20	40	122,7	419	105,6	1,02	3,49	0,88	120,0	1,71	1,40	EN12900 LBP
[°F]	-31	104	68	104										
[°C]	-7	54	35	46	403,8	1379	347,5	2,04	6,96	1,75	198,1	2,22	4,61	ASHRAE MBP
[°F]	20	130	95	115										
[°C]	-10	55	32	55	320,0	1093	275,4	1,68	5,73	1,44	190,6	2,17	4,05	cecomaf MBP
[°F]	14	131	90	131										
[°C]	-10	45	20	45	362,8	1239	312,2	2,09	7,12	1,79	174,0	2,05	4,45	EN12900 MBP
[°F]	14	113	68	113										

## Performance tables

R290, 115V/60Hz, CSIR, fan 3m/s, UL, CCC

	pe		Cooling capacity			COP	EER		P1	I	m
	[°C]	[°F]	[W]	[Btu/h]	[kcal/h]		[Btu/Wh]	[kcal/Wh]			
[°C / °F]	-40	-40	78,9	269	67,9	0,69	2,37	0,60	113,8	1,69	0,88
cond. pressure	-34	-30	118,4	404	101,9	0,97	3,31	0,83	122,1	1,73	1,33
pc= 45/113	-23	-10	215,0	734	185,0	1,49	5,08	1,28	144,7	1,86	2,43
return gas temp.	-15	5	309,4	1057	266,3	1,89	6,47	1,63	163,4	1,98	3,52
RGT= 32/90	-4	25	475,1	1623	408,9	2,57	8,76	2,21	185,2	2,13	5,48
liquid temp	0	32	546,1	1865	470,0	2,86	9,77	2,46	190,8	2,17	6,33
Tliq= 45/113	7,2	45	698,7	2386	601,3	3,54	12,10	3,05	197,1	2,22	8,21
[°C / °F]	-40	-40	51,1	175	44,0	0,47	1,61	0,40	108,7	1,65	0,63
cond. pressure	-34	-30	89,7	306	77,2	0,74	2,53	0,64	121,2	1,72	1,11
pc= 55/131	-23	-10	178,1	608	153,2	1,17	4,00	1,01	151,9	1,90	2,22
return gas temp	-15	5	260,9	891	224,5	1,48	5,05	1,27	176,5	2,07	3,28
RGT= 32/90	-4	25	404,0	1380	347,7	1,96	6,70	1,69	206,0	2,28	5,16
liquid temp	0	32	465,1	1588	400,2	2,17	7,42	1,87	214,2	2,35	5,97
Tliq= 55/131	7,2	45	596,5	2037	513,4	2,65	9,05	2,28	225,2	2,43	7,77