

Model

Designation	KLF5.6CND	220-240V/50Hz 1~	Sales code:	106H2607
-------------	------------------	------------------	-------------	-----------------

Compressor design

Oil type	Polyolester	Refrigerant(s)	R290
Oil viscosity	9,7cST	Displacement	5,6cm ³ / 0,34cu.in
Oil quantity	170cm ³ / 5,7fl.oz	Compressors on pallet	100
Refr. charge - tech. limit	200g / 7,1oz		
Free gas volume comp.	1605cm ³ / 54,3fl.oz		
Weight	9,4kg / 20,7lbs		
Motor protection	external		
Winding resistance main	10,7Ω (at 25°C)		
Winding resistance aux	17Ω (at 25°C)		
Max. winding temp.	125°C / 257°F		
Max. discharge temp.	130°C / 266°F		



General - Configurations with KLF5.6CND

	Conf. 1	Conf. 2
Motorconfiguration	CSIR	RSCR
Power supply (nominal)	220-240V/50Hz	220-240V/50Hz
Number of phases	1	1
Voltage range	198-254V	198-254V
Approvals	VDE, CCC	VDE, CCC
Starting torque	HST	LST
Note	- / -	

Applications with KLF5.6CND

	Conf. 1	Conf. 2
Refrigerant	R290	R290
Application	LBP+MBP	LBP+MBP
System cooling	fan 3m/s	fan 3m/s
Hot gas defrost	OK	OK
Long interval pull down	OK	OK

Electrical data - Configurations with KLF5.6CND

	Conf. 1	Conf. 2
Starting device type	relay	PTC
Run capacitor	-/-	5μF
Start capacitor	80μF	-/-
LRA (locked rotor amps / 4s/ U(N))	11,4A	11,4A
RLA (rated load amps / 1s/ U(N))	1,6A	1,6A
Cut in current (U(N))	10,7A	14,7A

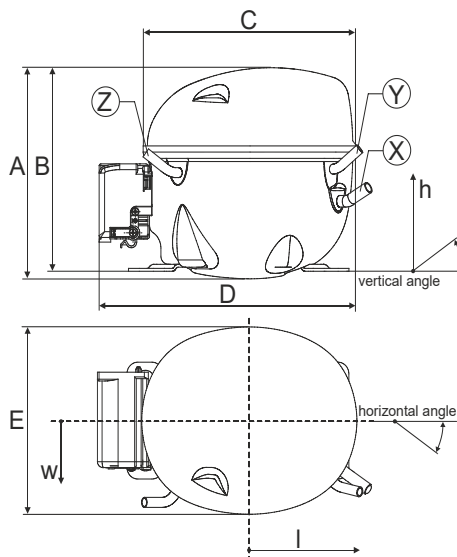
Model

Designation	KLF5.6CND	220-240V/50Hz 1~	Sales code:	106H2607
-------------	------------------	------------------	-------------	-----------------

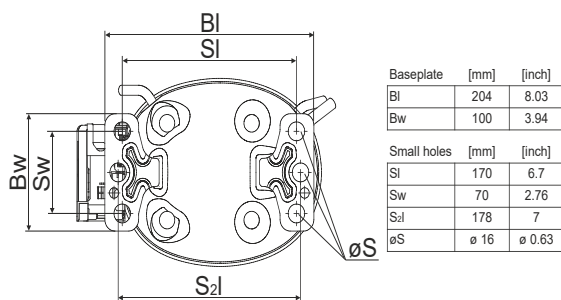
Compressor dimensions

Housing	A Height	182mm / 7,17in
	B Height	175mm / 6,89in
	C Length shell	198mm / 7,8in
	D Length w. cover	238mm / 9,37in
	E Width	160mm / 6,3in

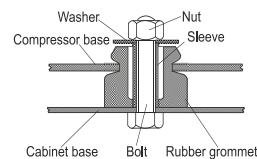
Connectors		Suction	Discharge	Process
		X	Y	Z
Diameter	[mm]	øi 8,11-8,29	øi 6,11-6,29	øi 6,11-6,29
	(i:inside, o:outside) [in]	øi 0,32-0,33	øi 0,24-0,25	øi 0,24-0,25
Material		copper	copper	copper
Horizontal angle	±2°	35°	13°	0°
Vertical angle	±2°	30°	40°	145°
Position l/h/w	[mm]	120/72/57	112/106/81	-97/94/72
	[in]	4,7/2,8/2,2	4,4/4,2/3,2	-3,8/3,7/2,8
Straight tube l.	[mm]	14	14	14
	[in]	0,5	0,5	0,5



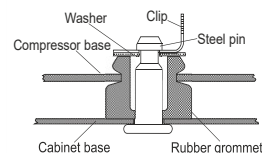
Compressor fixation



Bolt joint



Snap-on



Mounting accessories	one comp.	multi pack
Bolt joint M6 ø16mm	118-1917	118-1918
Bolt joint ø1/4" ø16mm	118-1946	
Snap-on ø7,3 ø16mm	118-1947	118-1919

Application notes

Provision for PE Grounding is located at the PE Stamp on the compressor

Model

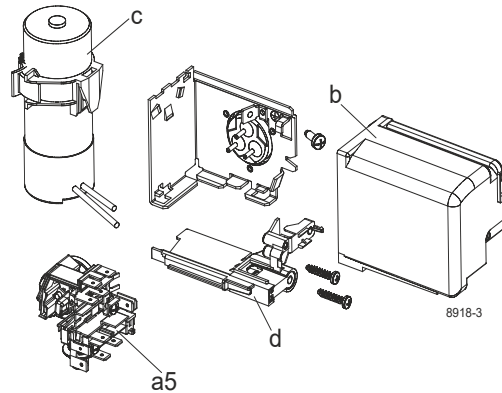
Designation	KLF5.6CND	220-240V/50Hz	Conf. 1	Sales code:	106H2607
-------------	------------------	----------------------	---------	-------------	-----------------

Configuration

Motorconfiguration	CSIR
Power supply (nominal)	220-240V/50Hz 1~
Refrigerant	R290
Application	LBP+MBP
Voltage range	198-254V
Starting torque	HST
Approvals	VDE CCC

Electrical accessories / wiring diagram

CSIR

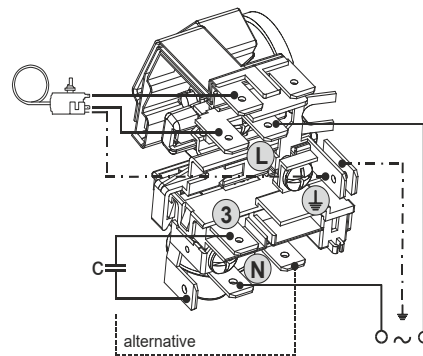


Ambient/ machine room temperatures minimum /maximum

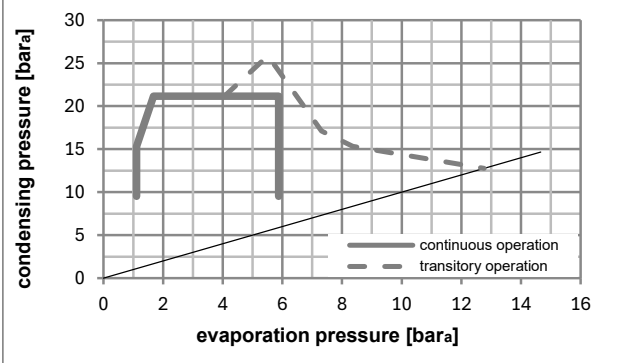
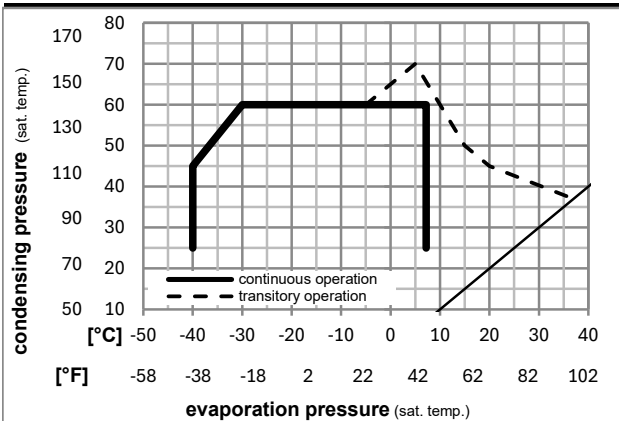
Ambient temperature range: 10 - 43°C / 50 - 110°F

Machine room temperature range: 10 - 48°C / 50 - 119°F

Compressor cooling: fan 3m/s



Operation pressure range



Components

a5	current relay (T0089/L6-S2)	117U7070
c	start capacitor (80µF, 6.3mm)	117U5001
b, d	cover + clamp + screws(5VA) in bag	103N1060

Alternative components

b, d	100x cover + clamp + screws(5VA)	103N2060
b, d	cover + clamp + screws(5VA-compl.)	103N0600

Model

Designation **KLF5.6CND** **220-240V/50Hz** Conf. 1 Sales code: **106H2607**

Optimization + standard conditions

R290, 220V/50Hz, CSIR, fan 3m/s, VDE, CCC

Evaporating pressure (saturation temperature)				Condensing pressure (saturation temperature)			Power consumption				Current consumption		Ref. mass flow ṁ	
pe	pc	RGT	Tliq	Cooling capacity	COP	EER	P1	I						
[°C]	[°C]	[°C]	[°C]	[W]	[Btu/h]	[kcal/h]	[W/W]	[Btu/Wh]	[kcal/Wh]	[W]	[A]	[kg/h]		
[°C]	-23	54	32	32	273,6	934	235,5	1,55	5,28	1,33	177,1	1,22	2,77	ASHRAE LBP
[°F]	-10	130	90	90										
[°C]	-25	55	32	55	203,7	696	175,3	1,19	4,07	1,03	170,9	1,20	2,54	cecomaf LBP
[°F]	-13	131	90	131										
[°C]	-35	40	20	40	149,1	509	128,3	1,21	4,12	1,04	123,4	1,07	1,70	EN12900 LBP
[°F]	-31	104	68	104										
[°C]	-7	54	35	46	494,7	1690	425,8	2,07	7,08	1,78	238,8	1,43	5,64	ASHRAE MBP
[°F]	20	130	95	115										
[°C]	-10	55	32	55	392,2	1339	337,5	1,72	5,87	1,48	228,2	1,39	4,96	cecomaf MBP
[°F]	14	131	90	131										
[°C]	-10	45	20	45	435,1	1486	374,4	2,09	7,14	1,80	208,0	1,32	5,34	EN12900 MBP
[°F]	14	113	68	113										

Performance tables

R290, 220V/50Hz, CSIR, fan 3m/s, VDE, CCC

	pe		Cooling capacity			COP			EER			P1	I	m
	[°C]	[°F]	[W]	[Btu/h]	[kcal/h]	[W/W]	[Btu/Wh]	[kcal/Wh]	[W]	[A]	[kg/h]			
[°C / °F]	-40	-40	112,6	385	96,9	0,97	3,31	0,84	116,1	1,06	1,26			
cond. pressure	-35	-31	148,4	507	127,7	1,14	3,88	0,98	130,6	1,09	1,66			
pc= 45/113	-25	-13	241,0	823	207,4	1,49	5,08	1,28	162,1	1,17	2,72			
return gas temp.	-15	5	370,8	1266	319,1	1,92	6,54	1,65	193,5	1,27	4,22			
RGT= 32/90	-5	23	548,3	1872	471,9	2,48	8,47	2,14	221,0	1,36	6,31			
liquid temp	0	32	658,2	2248	566,5	2,84	9,69	2,44	232,0	1,40	7,63			
Tliq= 45/113	7,2	45	844,8	2885	727,1	3,47	11,85	2,99	243,5	1,45	9,93			
[°C / °F]	-40	-40	76,0	260	65,4	0,65	2,24	0,56	116,1	1,06	0,94			
cond. pressure	-35	-31	114,0	389	98,1	0,86	2,92	0,74	133,3	1,10	1,41			
pc= 55/131	-25	-13	203,7	696	175,3	1,19	4,07	1,03	170,9	1,20	2,54			
return gas temp.	-15	5	320,4	1094	275,7	1,53	5,22	1,32	209,6	1,33	4,03			
RGT= 32/90	-5	23	474,8	1621	408,6	1,93	6,60	1,66	245,7	1,46	6,05			
liquid temp	0	32	569,4	1945	490,0	2,18	7,43	1,87	261,5	1,52	7,31			
Tliq= 55/131	7,2	45	729,5	2491	627,8	2,60	8,88	2,24	280,5	1,59	9,50			

Model

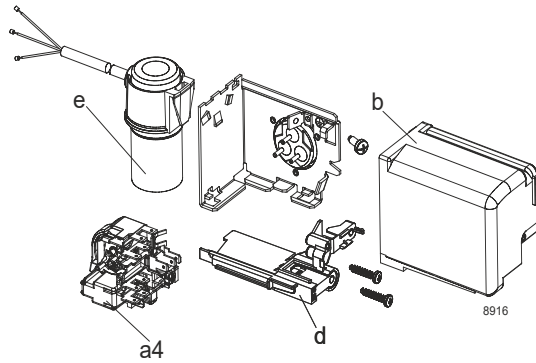
Designation	KLF5.6CND	220-240V/50Hz	Conf. 2	Sales code:	106H2607
-------------	------------------	----------------------	----------------	-------------	-----------------

Configuration

Motorconfiguration	RSCR
Power supply (nominal)	220-240V/50Hz 1~
Refrigerant	R290
Application	LBP+MBP
Voltage range	198-254V
Starting torque	LST
Approvals	VDE
	CCC

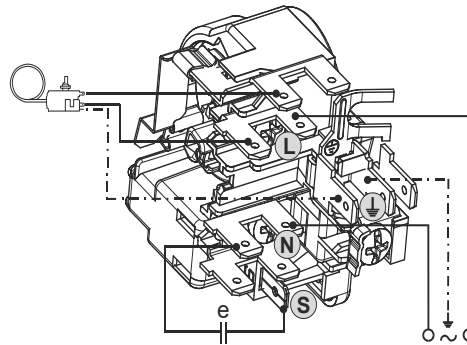
Electrical accessories / wiring diagram

RSCR

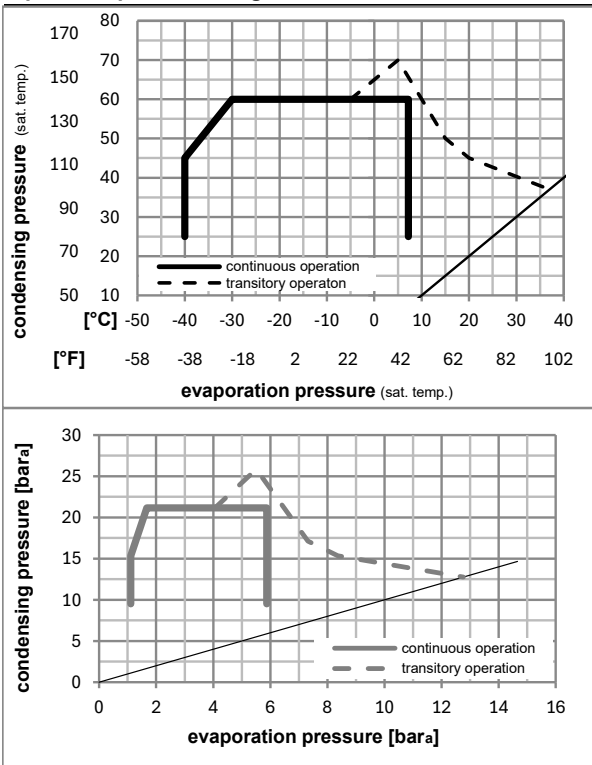


Ambient/ machine room temperatures minimum /maximum

Ambient temperature range:	10 - 43°C / 50 - 110°F
Machine room temperature range:	10 - 48°C / 50 - 119°F
Compressor cooling:	fan 3m/s



Operation pressure range



Components

a4	DAS2 (PTC,6.3mm, T0089/L6 - S2)	103N0251
e	run capacitor (5μF, 6.3mm)	117-7191
b, d	cover + clamp + screws(5VA) in bag	103N1060

Alternative components

a4	ZAS2 (PTC,4.8mm, T0089/L6 - S2)	103N0253
e	run capacitor (5μF, 4.8mm)	117-7190
b, d	100x cover + clamp + screws(5VA)	103N2060
b, d	cover + clamp + screws(5VA-compl.)	103N0600

Model

Designation	KLF5.6CND	220-240V/50Hz	Conf. 2	Sales code:	106H2607
-------------	------------------	----------------------	----------------	-------------	-----------------

Optimization + standard conditions

R290, 220V/50Hz, RSCR, fan 3m/s, VDE, CCC

		Evaporating pressure (saturation temperature)				Condensing pressure (saturation temperature)						Power consumption			
		Return gas temp.		Liquid temp.		Cooling capacity		COP	EER	P1		I	Ref. mass flow		
		pe	pc	RGT	Tliq	[W]	[Btu/h]	[kcal/h]	[W/W]	[Btu/Wh]	[kcal/Wh]	[W]	[A]	[kg/h]	
[°C]	-23	54	32	32	276,8	945	238,2	1,62	5,52	1,39	171,3	0,92	2,80	ASHRAE LBP	
[°F]	-10	130	90	90											
[°C]	-25	55	32	55	206,0	704	177,3	1,25	4,26	1,07	165,3	0,90	2,57	cecomaf LBP	
[°F]	-13	131	90	131											
[°C]	-35	40	20	40	150,7	515	129,7	1,26	4,29	1,08	120,0	0,73	1,72	EN12900 LBP	
[°F]	-31	104	68	104											
[°C]	-7	54	35	46	500,8	1710	431,0	2,17	7,40	1,86	231,2	1,17	5,71	ASHRAE MBP	
[°F]	20	130	95	115											
[°C]	-10	55	32	55	397,0	1356	341,7	1,80	6,14	1,55	221,0	1,13	5,02	cecomaf MBP	
[°F]	14	131	90	131											
[°C]	-10	45	20	45	440,3	1504	378,9	2,18	7,46	1,88	201,5	1,05	5,41	EN12900 MBP	
[°F]	14	113	68	113											

Performance tables

R290, 220V/50Hz, RSCR, fan 3m/s, VDE, CCC

	pe		Cooling capacity			COP	EER	P1			I	m
	[°C]	[°F]	[W]	[Btu/h]	[kcal/h]	[W/W]	[Btu/Wh]	[kcal/Wh]	[W]	[A]	[kg/h]	
[°C / °F]	-40	-40	113,9	389	98,0	1,01	3,44	0,87	113,1	0,71	1,27	
cond. pressure	-35	-31	150,0	512	129,1	1,18	4,04	1,02	126,8	0,75	1,68	
pc= 45/113	-25	-13	243,8	833	209,8	1,55	5,31	1,34	156,9	0,86	2,75	
return gas temp.	-15	5	375,2	1281	322,9	2,00	6,84	1,72	187,4	0,99	4,27	
RGT= 32/90	-5	23	554,9	1895	477,6	2,59	8,85	2,23	214,2	1,10	6,39	
liquid temp	0	32	666,2	2275	573,4	2,96	10,11	2,55	225,0	1,15	7,73	
Tliq= 45/113	7,2	45	855,2	2921	736,0	3,62	12,37	3,12	236,2	1,20	10,05	
[°C / °F]	-40	-40	76,9	263	66,2	0,68	2,33	0,59	112,9	0,71	0,95	
cond. pressure	-35	-31	115,3	394	99,2	0,89	3,05	0,77	129,2	0,76	1,43	
pc= 55/131	-25	-13	206,0	704	177,3	1,25	4,26	1,07	165,3	0,90	2,57	
return gas temp	-15	5	324,2	1107	279,0	1,60	5,46	1,38	202,9	1,05	4,08	
RGT= 32/90	-5	23	480,6	1642	413,7	2,02	6,90	1,74	237,9	1,20	6,12	
liquid temp	0	32	576,5	1969	496,2	2,28	7,77	1,96	253,3	1,27	7,41	
Tliq= 55/131	7,2	45	738,8	2523	635,8	2,72	9,29	2,34	271,5	1,35	9,62	