

Model

Designation	KLF5.6CNHS	115-127V/60Hz 1~	Sales code:	106H3603
-------------	-------------------	------------------	-------------	-----------------

Compressor design

Oil type	Polyolester	Refrigerant(s)	R290
Oil viscosity	9,7cST	Displacement	5,6cm ³ / 0,34cu.in
Oil quantity	170cm ³ / 5,7fl.oz	Compressors on pallet	100
Refr. charge - tech. limit	200g / 7,1oz		
Free gas volume comp.	1605cm ³ / 54,3fl.oz		
Weight	9,5kg / 20,9lbs		
Motor protection	external		
Winding resistance main	2Ω (at 25°C)		
Winding resistance aux	5,3Ω (at 25°C)		
Max. winding temp.	125°C / 257°F		
Max. discharge temp.	130°C / 266°F		
Additional note	Very good robustness against liquid intake. Ice-cube maker optimization - indirect suction intake.		



General - Configurations with KLF5.6CNHS

	Conf. 1
Motorconfiguration	CSIR
Power supply (nominal)	115-127V/60Hz
Number of phases	1
Voltage range	95-140V
Approvals	UL, CCC
Starting torque	HST
Note	LRA value on compressor label and datasheet may differ due to different test conditions for UL approval.

Applications with KLF5.6CNHS

	Conf. 1
Refrigerant	R290
Application	LBP+MBP
System cooling	fan 3m/s
Hot gas defrost	OK
Long interval pull down	OK

Electrical data - Configurations with KLF5.6CNHS

	Conf. 1
Starting device type	relay
Run capacitor	-/-
Start capacitor	240μF
LRA (locked rotor amps / 4s)	27,8A
RLA (rated load amps / 1s)	4,3A
Cut in current	27,8A

Model

Designation

KLF5.6CNHS

115-127V/60Hz 1~

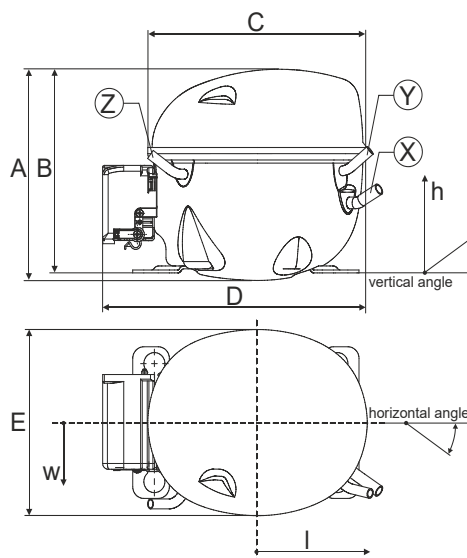
Sales code:

106H3603

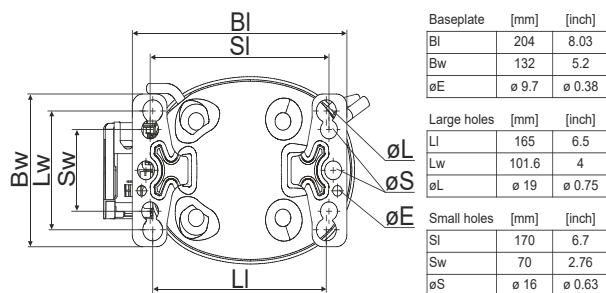
Compressor dimensions

Housing	A Height	182mm / 7,17in
	B Height	175mm / 6,89in
	C Length shell	198mm / 7,8in
	D Length w. cover	238mm / 9,37in
	E Width	160mm / 6,3in

Connectors		Suction	Discharge	Process
		X	Y	Z
Diameter	[mm]	øi 8,11-8,29	øi 6,41-6,59	øi 6,41-6,59
	(i:inside, o:outside) [in]	øi 0,32-0,33	øi 0,25-0,26	øi 0,25-0,26
Material		copper	copper	copper
Horizontal angle	±2°	35°	13°	0°
Vertical angle	±2°	30°	40°	145°
Position l/h/w	[mm]	120/72/57	112/106/81	-97/94/72
	[in]	4,7/2,8/2,2	4,4/4,2/3,2	-3,8/3,7/2,8
Straight tube l.	[mm]	14	14	14
	[in]	0,5	0,5	0,5



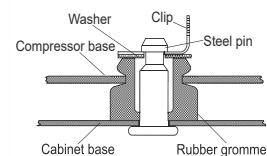
Compressor fixation



Bolt joint



Snap-on



Mounting accessories

	one comp.	multi pack
Bolt joint M6 ø16mm	118-1917	118-1918
Bolt joint ø1/4" ø16mm	118-1946	
Bolt joint ø1/4" ø19mm	118-1949	
Snap-on ø7,3 ø16mm	118-1947	118-1919

Application notes

Provision for PE Grounding is located at the PE Stamp on the compressor

Model

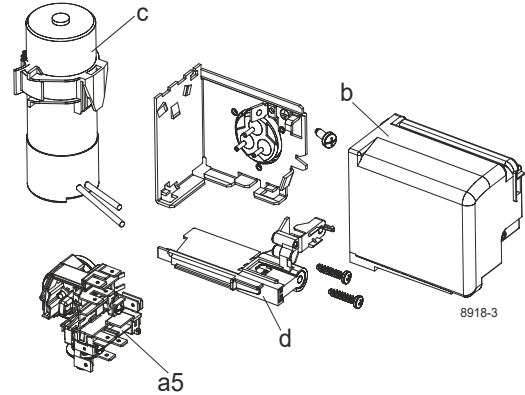
Designation	KLF5.6CNHS	115-127V/60Hz	Conf. 1	Sales code:	106H3603
-------------	-------------------	----------------------	---------	-------------	-----------------

Configuration

Motorconfiguration	CSIR
Power supply (nominal)	115-127V/60Hz 1~
Refrigerant	R290
Application	LBP+MBP
Voltage range	95-140V
Starting torque	HST
Approvals	UL
	CCC

Electrical accessories / wiring diagram

CSIR

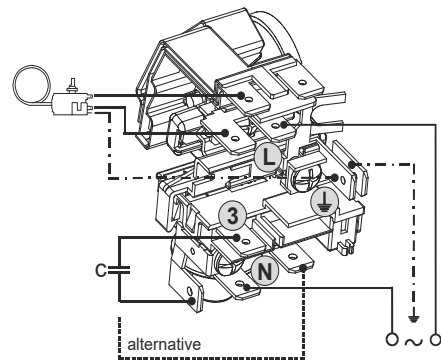


Ambient/ machine room temperatures minimum /maximum

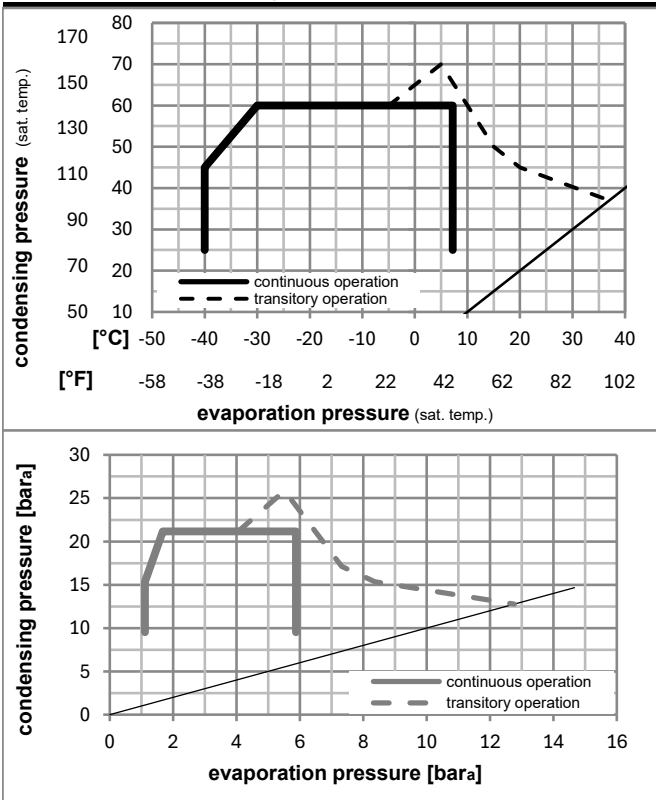
Ambient temperature range: 10 - 43°C / 50 - 110°F

Machine room temperature range: 10 - 48°C / 50 - 119°F

Compressor cooling: fan 3m/s



Operation pressure range



Components

a5	current relay (T1217/L6-S5)	117U7075
c	start capacitor (240µF)	117U5002
b, d	cover + clamp + screws(5VA) in bag	103N1060

Alternative components

b, d	cover + clamp + screws(5VA-compl.)	103N0600
------	------------------------------------	----------

Model

Designation	KLF5.6CNHS	115-127V/60Hz	Conf. 1	Sales code:	106H3603
-------------	-------------------	----------------------	----------------	-------------	-----------------

Optimization + standard conditions

R290, 115V/60Hz, CSIR, fan 3m/s, UL, CCC

	Evaporating pressure (saturation temperature)				Cooling capacity			COP	EER	P1	Power consumption		ASHRAE LBP	
	pe	pc	RGT	Tliq	[W]	[Btu/h]	[kcal/h]				I	m		
	[°C]	[°F]	[°C]	[°F]	[W]	[Btu/h]	[kcal/h]	[W/W]	[Btu/Wh]	[kcal/Wh]	[W]	[A]	[kg/h]	
	-23	54	32	32	326,8	1116	281,3	1,57	5,35	1,35	208,7	2,75	3,31	ASHRAE LBP
	-10	130	90	90										
	-25	55	32	55	245,0	837	210,8	1,22	4,18	1,05	200,3	2,70	3,05	cecomaf LBP
	-13	131	90	131										
	-35	40	20	40	182,9	625	157,4	1,21	4,15	1,05	150,6	2,44	2,09	EN12900 LBP
	-31	104	68	104										
	-7	54	35	46	587,6	2007	505,7	2,05	7,01	1,77	286,1	3,25	6,70	ASHRAE MBP
	20	130	95	115										
	-10	55	32	55	466,5	1593	401,5	1,71	5,83	1,47	273,2	3,16	5,90	cecomaf MBP
	14	131	90	131										
	-10	45	20	45	518,9	1772	446,5	2,08	7,11	1,79	249,1	3,00	6,37	EN12900 MBP
	14	113	68	113										

Performance tables

R290, 115V/60Hz, CSIR, fan 3m/s, UL, CCC

	pe		Cooling capacity			COP	EER		P1	I	m
	[°C]	[°F]	[W]	[Btu/h]	[kcal/h]		[Btu/Wh]	[kcal/Wh]			
[°C / °F]	-40	-40	135,6	463	116,7	1,01	3,44	0,87	134,5	2,39	1,52
cond. pressure	-34	-30	180,8	617	155,6	1,16	3,97	1,00	155,5	2,47	2,03
pc= 45/113	-23	-10	310,2	1059	266,9	1,55	5,30	1,34	199,9	2,69	3,50
return gas temp.	-15	5	443,9	1516	382,0	1,91	6,54	1,65	231,9	2,88	5,05
RGT= 32/90	-4	25	675,0	2305	580,9	2,53	8,64	2,18	266,8	3,12	7,78
liquid temp	0	32	771,1	2633	663,6	2,80	9,55	2,41	275,7	3,18	8,94
Tliq= 45/113	7,2	45	971,2	3317	835,8	3,39	11,59	2,92	286,1	3,26	11,41
[°C / °F]	-40	-40	118,8	406	102,3	0,94	3,22	0,81	126,0	2,35	1,47
cond. pressure	-34	-30	155,2	530	133,6	1,02	3,48	0,88	152,5	2,45	1,92
pc= 55/131	-23	-10	264,7	904	227,8	1,27	4,33	1,09	208,8	2,75	3,30
return gas temp	-15	5	381,3	1302	328,2	1,52	5,21	1,31	250,1	3,01	4,79
RGT= 32/90	-4	25	586,9	2004	505,1	1,97	6,72	1,69	298,4	3,34	7,49
liquid temp	0	32	673,2	2299	579,4	2,16	7,37	1,86	312,2	3,44	8,65
Tliq= 55/131	7,2	45	854,3	2918	735,2	2,57	8,79	2,22	331,9	3,60	11,13