

Model

| | | | | |
|-------------|-------------------|------------------|-------------|-----------------|
| Designation | KLF6.6CNHS | 115-127V/60Hz 1~ | Sales code: | 106H3703 |
|-------------|-------------------|------------------|-------------|-----------------|

Compressor design

| | | | |
|----------------------------|---|-----------------------|-------------------------------|
| Oil type | Polyolester | Refrigerant(s) | R290 |
| Oil viscosity | 9,7cST | Displacement | 6,6cm ³ / 0,4cu.in |
| Oil quantity | 170cm ³ / 5,7fl.oz | Compressors on pallet | 100 |
| Refr. charge - tech. limit | 200g / 7,1oz | | |
| Free gas volume comp. | 1580cm ³ / 53,4fl.oz | | |
| Weight | 9,5kg / 20,9lbs | | |
| Motor protection | external | | |
| Winding resistance main | 2Ω (at 25°C) | | |
| Winding resistance aux | 5,3Ω (at 25°C) | | |
| Max. winding temp. | 125°C / 257°F | | |
| Max. discharge temp. | 130°C / 266°F | | |
| Additional note | Very good robustness against liquid intake. Ice-cube maker optimization - indirect suction intake. | | |



General - Configurations with KLF6.6CNHS

| | |
|------------------------|--|
| | Conf. 1 |
| Motorconfiguration | CSIR |
| Power supply (nominal) | 115-127V/60Hz |
| Number of phases | 1 |
| Voltage range | 95-140V |
| Approvals | UL, CCC |
| Starting torque | HST |
| Note | LRA value on compressor label and datasheet may differ due to different test conditions for UL approval. |

Applications with KLF6.6CNHS

| | |
|-------------------------|----------------|
| | Conf. 1 |
| Refrigerant | R290 |
| Application | LBP+MBP |
| System cooling | fan 3m/s |
| Hot gas defrost | OK |
| Long interval pull down | OK |

Electrical data - Configurations with KLF6.6CNHS

| | |
|------------------------------|----------------|
| | Conf. 1 |
| Starting device type | relay |
| Run capacitor | -/- |
| Start capacitor | 240μF |
| LRA (locked rotor amps / 4s) | 27,8A |
| RLA (rated load amps / 1s) | 4,3A |
| Cut in current | 27,8A |

Model

Designation

KLF6.6CNHS

115-127V/60Hz 1~

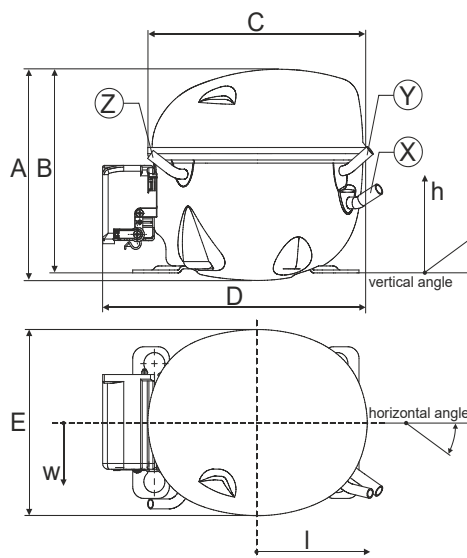
Sales code:

106H3703

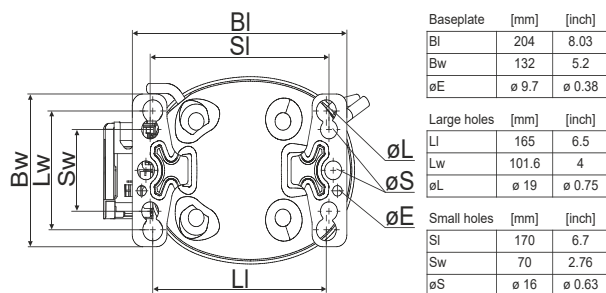
Compressor dimensions

| Housing | A Height | 182mm / 7,17in |
|---------|-------------------|----------------|
| | B Height | 175mm / 6,89in |
| | C Length shell | 198mm / 7,8in |
| | D Length w. cover | 238mm / 9,37in |
| | E Width | 160mm / 6,3in |

| Connectors | | Suction | Discharge | Process |
|------------------|----------------------------|--------------|--------------|--------------|
| | | X | Y | Z |
| Diameter | [mm] | øi 8,11-8,29 | øi 6,41-6,59 | øi 6,41-6,59 |
| | (i:inside, o:outside) [in] | øi 0,32-0,33 | øi 0,25-0,26 | øi 0,25-0,26 |
| Material | | copper | copper | copper |
| Horizontal angle | ±2° | 35° | 13° | 0° |
| Vertical angle | ±2° | 30° | 40° | 145° |
| Position l/h/w | [mm] | 120/72/57 | 112/106/81 | -97/94/72 |
| | [in] | 4,7/2,8/2,2 | 4,4/4,2/3,2 | -3,8/3,7/2,8 |
| Straight tube l. | [mm] | 14 | 14 | 14 |
| | [in] | 0,5 | 0,5 | 0,5 |



Compressor fixation



Bolt joint



Snap-on



Mounting accessories

| | one comp. | multi pack |
|----------------------------|-----------|------------|
| Bolt joint M6 ø16mm | 118-1917 | 118-1918 |
| Bolt joint ø1/4" ø16mm | 118-1946 | |
| Bolt joint ø1/4" ø19mm | 118-1949 | |
| Snap-on ø7,3 ø16mm | 118-1947 | 118-1919 |

Application notes

Provision for PE Grounding is located at the PE Stamp on the compressor

Model

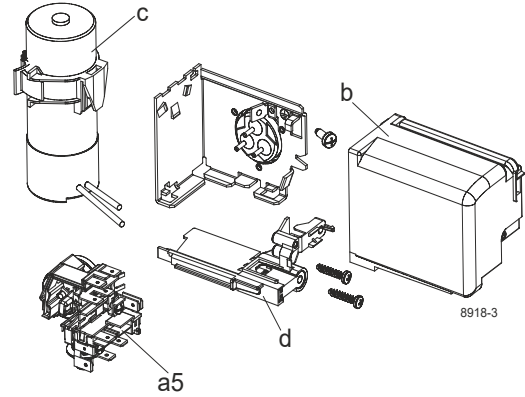
| | | | | | |
|-------------|-------------------|----------------------|---------|-------------|-----------------|
| Designation | KLF6.6CNHS | 115-127V/60Hz | Conf. 1 | Sales code: | 106H3703 |
|-------------|-------------------|----------------------|---------|-------------|-----------------|

Configuration

| | |
|------------------------|------------------|
| Motorconfiguration | CSIR |
| Power supply (nominal) | 115-127V/60Hz 1~ |
| Refrigerant | R290 |
| Application | LBP+MBP |
| Voltage range | 95-140V |
| Starting torque | HST |
| Approvals | UL |
| | CCC |

Electrical accessories / wiring diagram

CSIR

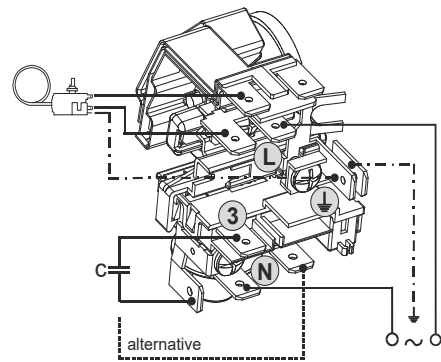


Ambient/ machine room temperatures minimum /maximum

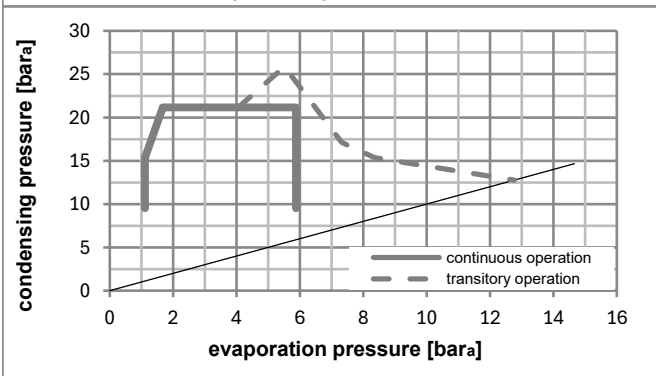
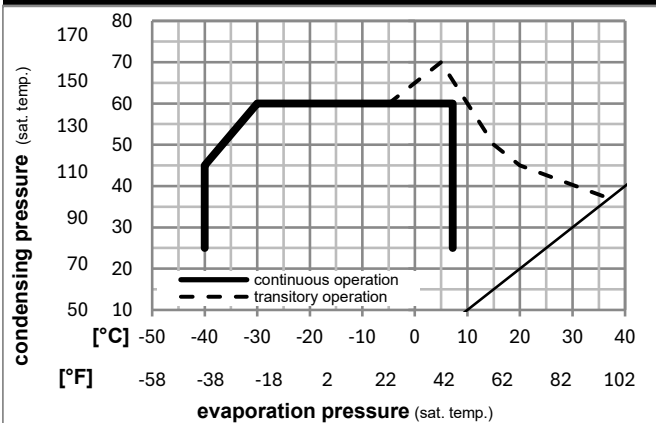
Ambient temperature range: 10 - 43°C / 50 - 110°F

Machine room temperature range: 10 - 48°C / 50 - 119°F

Compressor cooling: fan 3m/s



Operation pressure range



Components

| | | |
|------|------------------------------------|----------|
| a5 | current relay (T1141/L6-S6) | 117U7076 |
| c | start capacitor (240µF) | 117U5002 |
| b, d | cover + clamp + screws(5VA) in bag | 103N1060 |

Alternative components

| | | |
|------|------------------------------------|----------|
| b, d | cover + clamp + screws(5VA-compl.) | 103N0600 |
|------|------------------------------------|----------|

Model

Designation **KLF6.6CNHS** **115-127V/60Hz** Conf. 1 Sales code: **106H3703**

Optimization + standard conditions

R290, 115V/60Hz, CSIR, fan 3m/s, UL, CCC

| | Evaporating pressure (saturation temperature) | | | | Cooling capacity | | | COP | EER | P1 | Power consumption | | ASHRAE LBP | |
|--|---|------|------|------|------------------|---------|----------|-------|----------|-----------|-------------------|------|------------|-------------|
| | pe | pc | RGT | Tliq | [W] | [Btu/h] | [kcal/h] | | | | I | m | | |
| | [°C] | [°F] | [°C] | [°F] | [W] | [Btu/h] | [kcal/h] | [W/W] | [Btu/Wh] | [kcal/Wh] | [W] | [A] | [kg/h] | |
| | -23 | 54 | 32 | 32 | 383,0 | 1308 | 329,6 | 1,57 | 5,37 | 1,35 | 243,4 | 3,15 | 3,88 | ASHRAE LBP |
| | -10 | 130 | 90 | 90 | | | | | | | | | | |
| | -25 | 55 | 32 | 55 | 286,8 | 979 | 246,8 | 1,23 | 4,19 | 1,06 | 233,6 | 3,09 | 3,57 | cecomaf LBP |
| | -13 | 131 | 90 | 131 | | | | | | | | | | |
| | -35 | 40 | 20 | 40 | 216,5 | 740 | 186,4 | 1,17 | 4,01 | 1,01 | 184,6 | 2,86 | 2,47 | EN12900 LBP |
| | -31 | 104 | 68 | 104 | | | | | | | | | | |
| | -7 | 54 | 35 | 46 | 692,4 | 2365 | 595,9 | 2,02 | 6,91 | 1,74 | 342,3 | 3,80 | 7,90 | ASHRAE MBP |
| | 20 | 130 | 95 | 115 | | | | | | | | | | |
| | -10 | 55 | 32 | 55 | 548,0 | 1872 | 471,6 | 1,69 | 5,76 | 1,45 | 325,1 | 3,68 | 6,93 | cecomaf MBP |
| | 14 | 131 | 90 | 131 | | | | | | | | | | |
| | -10 | 45 | 20 | 45 | 616,9 | 2107 | 530,9 | 2,00 | 6,84 | 1,72 | 307,8 | 3,56 | 7,57 | EN12900 MBP |
| | 14 | 113 | 68 | 113 | | | | | | | | | | |

Performance tables

R290, 115V/60Hz, CSIR, fan 3m/s, UL, CCC

| | pe | | Cooling capacity | | | COP | EER | | P1 | I | m |
|------------------|------|------|------------------|---------|----------|------|----------|-----------|-------|------|-------|
| | [°C] | [°F] | [W] | [Btu/h] | [kcal/h] | | [Btu/Wh] | [kcal/Wh] | | | |
| [°C / °F] | -40 | -40 | 156,1 | 533 | 134,3 | 0,96 | 3,29 | 0,83 | 162,1 | 2,78 | 1,75 |
| cond. pressure | -34 | -30 | 212,8 | 727 | 183,1 | 1,14 | 3,90 | 0,98 | 186,4 | 2,86 | 2,39 |
| pc= 45/113 | -23 | -10 | 367,9 | 1257 | 316,6 | 1,52 | 5,19 | 1,31 | 242,0 | 3,14 | 4,15 |
| return gas temp. | -15 | 5 | 526,9 | 1799 | 453,4 | 1,85 | 6,33 | 1,59 | 284,3 | 3,40 | 5,99 |
| RGT= 32/90 | -4 | 25 | 805,4 | 2751 | 693,1 | 2,42 | 8,27 | 2,08 | 332,8 | 3,73 | 9,29 |
| liquid temp | 0 | 32 | 922,9 | 3152 | 794,2 | 2,67 | 9,12 | 2,30 | 345,7 | 3,83 | 10,70 |
| Tliq= 45/113 | 7,2 | 45 | 1171,2 | 4000 | 1008,0 | 3,24 | 11,05 | 2,79 | 361,9 | 3,95 | 13,76 |
| [°C / °F] | -40 | -40 | 135,0 | 461 | 116,2 | 0,90 | 3,06 | 0,77 | 150,7 | 2,71 | 1,67 |
| cond. pressure | -34 | -30 | 180,4 | 616 | 155,2 | 1,01 | 3,45 | 0,87 | 178,7 | 2,81 | 2,23 |
| pc= 55/131 | -23 | -10 | 309,8 | 1058 | 266,7 | 1,27 | 4,34 | 1,09 | 243,9 | 3,15 | 3,86 |
| return gas temp | -15 | 5 | 446,9 | 1526 | 384,6 | 1,51 | 5,17 | 1,30 | 295,3 | 3,48 | 5,62 |
| RGT= 32/90 | -4 | 25 | 692,7 | 2366 | 596,2 | 1,93 | 6,60 | 1,66 | 358,6 | 3,92 | 8,84 |
| liquid temp | 0 | 32 | 797,9 | 2725 | 686,6 | 2,11 | 7,22 | 1,82 | 377,4 | 4,07 | 10,25 |
| Tliq= 55/131 | 7,2 | 45 | 1022,0 | 3490 | 879,5 | 2,52 | 8,61 | 2,17 | 405,5 | 4,29 | 13,31 |