

Model

Designation	SC15CL	220-240V/50Hz 1~	Sales code:	104L2883
-------------	---------------	-------------------------	-------------	-----------------

Compressor design

Oil type	Polyolester	Refrigerant(s)	R404A, R507
Oil viscosity	32cST	Displacement	15,28cm ³ / 0,93cu.in
Oil quantity	499cm ³ / 16,9fl.oz	Compressors on pallet	80
Refr. charge - tech. limit	1300g / 45,9oz		
Free gas volume comp.	1510cm ³ / 51,1fl.oz		
Weight	13,8kg / 30,4lbs		
Motor protection	1# internal		
Winding resistance main	3,7Ω (at 25°C)		
Winding resistance aux	14Ω (at 25°C)		
Max. winding temp.	125°C / 257°F		
Max. discharge temp.	130°C / 266°F		



General - Configurations with SC15CL

Conf. 1

Motorconfiguration	CSIR
Power supply (nominal)	220-240V/50Hz
Number of phases	1
Voltage range	198-254V
Approvals	VDE, CCC, EAC
Starting torque	HST
Note	Compressor with noise optimization kit.

Applications with SC15CL

Conf. 1

Refrigerant	R404A
Application	LBP+MBP
System cooling	fan 3m/s
Hot gas defrost	OK
Long interval pull down	OK

Electrical data - Configurations with SC15CL

Conf. 1

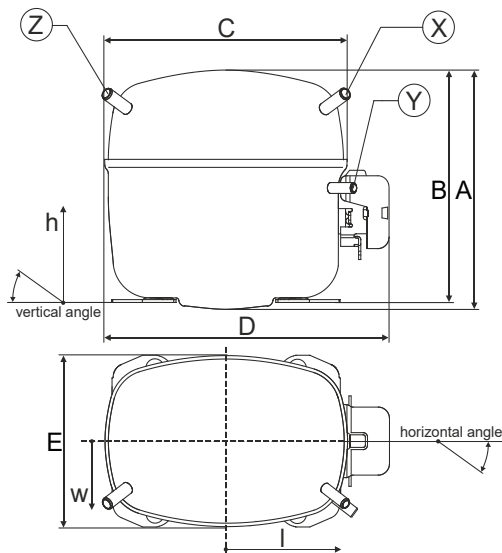
Starting device type	relay
Run capacitor	-/-
Start capacitor	80μF
LRA (locked rotor amps / 4s)	20,43A
RLA (rated load amps / 1s)	3,9A
Cut in current	20,43A

Model

Designation	SC15CL	220-240V/50Hz 1~	Sales code:	104L2883
-------------	---------------	-------------------------	-------------	-----------------

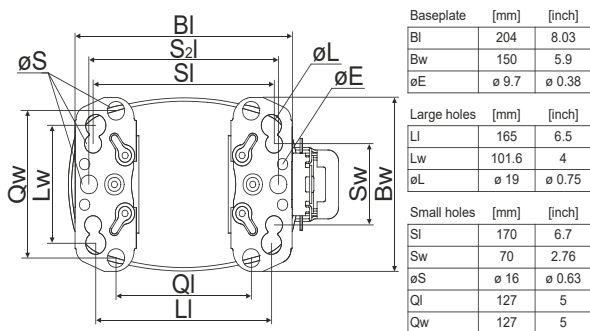
Compressor dimensions

Housing	A Height	219mm / 8,62in
	B Height	213mm / 8,39in
	C Length shell	218mm / 8,58in
	D Length w. cover	255mm / 10,04in
	E Width	151mm / 5,94in



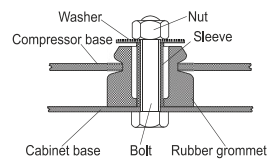
Connectors	Suction		Discharge		Process	
	X		Y		Z	
Diameter [mm]	øi 10,11-10,29		øi 6,11-6,29		øi 6,11-6,29	
(i:inside, o:outside) [in]	øi 0,4-0,41		øi 0,24-0,25		øi 0,24-0,25	
Material	copper		copper		copper	
Horizontal angle ±2°	37°		37°		143°	
Vertical angle ±2°	30°		0°		150°	
Position l/h/w [mm]	107/193/55		115/110/63		-107/193/55	
[in]	4,2/7,6/2,2		4,5/4,3/2,5		-4,2/7,6/2,2	
Straight tube l. [mm]	12		12		12	
[in]	0,5		0,5		0,5	

Compressor fixation

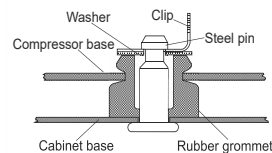


Baseplate	[mm]	[inch]
BI	204	8.03
Bw	150	5.9
øE	ø 9.7	ø 0.38
Large holes	[mm]	[inch]
LI	165	6.5
LW	101.6	4
øL	ø 19	ø 0.75
Small holes	[mm]	[inch]
SI	170	6.7
Sw	70	2.76
øS	ø 16	ø 0.63
QI	127	5
Qw	127	5

Bolt joint



Snap-on



Mounting accessories

	one comp.	multi pack
Bolt joint M6 ø16mm	118-1917	118-1918
Bolt joint ø1/4" ø16mm	118-1946	
Bolt joint ø1/4" ø19mm	118-1949	
Snap-on ø7,3 ø16mm	118-1947	118-1919

Application notes

Provision for PE Grounding is located at the PE Stamp on the compressor

Model

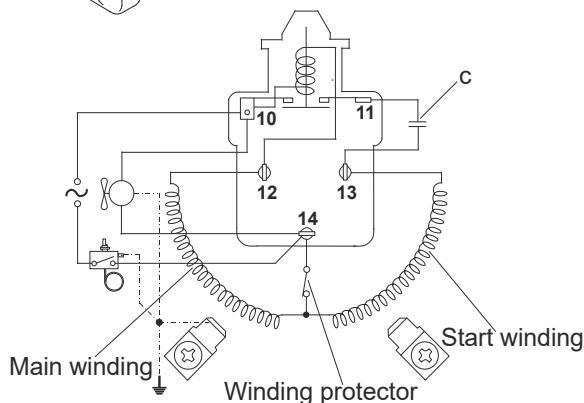
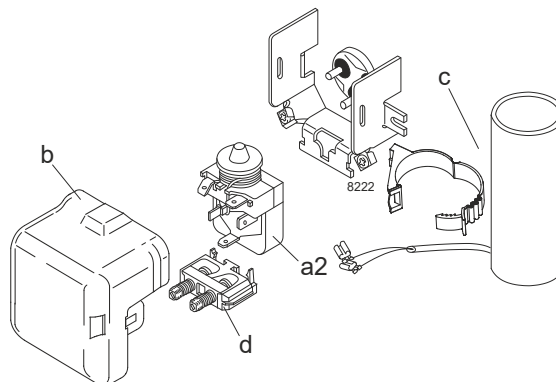
Designation	SC15CL	220-240V/50Hz	Conf. 1	Sales code:	104L2883
-------------	---------------	----------------------	---------	-------------	-----------------

Configuration

Motorconfiguration	CSIR
Power supply (nominal)	220-240V/50Hz 1~
Refrigerant	R404A
Application	LBP+MBP
Voltage range	198-254V
Starting torque	HST
Approvals	VDE
	CCC
	EAC

Electrical accessories / wiring diagram

CSIR



Ambient/ machine room temperatures minimum /maximum

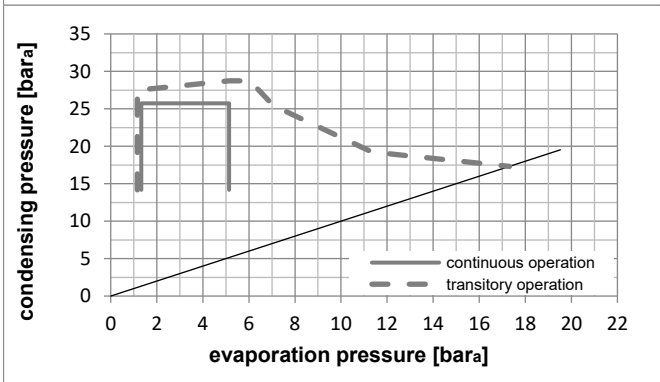
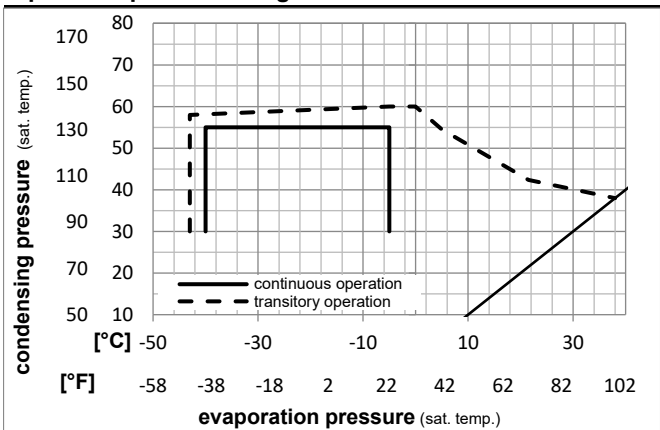
Ambient temperature range: 10 - 38°C / 50 - 101°F

Machine room temperature range: 10 - 43°C / 50 - 110°F

Compressor cooling: fan 3m/s

Operation Limits

Operation pressure range



Components

a2	relay	117U6019
c	start capacitor (80µF)	117U5017
d	cord relief	103N1004
b	plastic cover	103N2008

Alternative components

a2	relay	117U6019
c	start capacitor i-pack 40# (80µF)	117U5067
d	cord relief	103N1004
b	plastic cover	103N2008

Model

Designation **SC15CL** **220-240V/50Hz** Conf. 1 Sales code: **104L2883**

Optimization + standard conditions

R404A, 220V/50Hz, CSIR, fan 3m/s, VDE, CCC, EAC

Evaporating pressure (saturation temperature)				Condensing pressure (saturation temperature)			Return gas temp.			Liquid temp.			Cooling capacity			COP	EER	Power consumption			Ref. mass flow m	ASHRAE LBP
pe	pc	RGT	Tliq	[W]	[Btu/h]	[kcal/h]	[W/W]	[Btu/Wh]	[kcal/Wh]	P1	I	[kg/h]										
[°C]	[°C]	[°C]	[°C]	[W]	[Btu/h]	[kcal/h]	[W/W]	[Btu/Wh]	[kcal/Wh]	[W]	[A]	[kg/h]										
-23	54	32	32	659,8	2253	567,9	1,21	4,13	1,04	546,0	3,41	15,37										
[°F]																						
-10	130	90	90																			
[°C]	-25	55	32	55	432,5	1477	372,2	0,85	2,89	0,73	511,7	3,30	13,52									
[°F]	-13	131	90	131																		
[°C]	-35	40	20	40	336,1	1148	289,3	0,87	2,96	0,75	387,3	2,93	9,13									
[°F]	-31	104	68	104																		
[°C]	-23	49	4,4	49	503,1	1718	433,0	0,91	3,10	0,78	555,0	3,46	17,81									
[°F]	-10	120	40	120																		
[°C]	-23	41	32	32	763,5	2607	657,1	1,45	4,94	1,24	527,8	3,41	17,79									
[°F]	-10	105	90	90																		
[°C]	-35	45	32	45	284,2	971	244,6	0,76	2,59	0,65	375,4	2,92	7,60									
[°F]	-31	113	90	113																		

Performance tables

R404A, 220V/50Hz, CSIR, fan 3m/s, VDE, CCC, EAC

	pe		Cooling capacity			COP	EER		P1	I	m
	[°C]	[°F]	[W]	[Btu/h]	[kcal/h]	[W/W]	[Btu/Wh]	[kcal/Wh]	[W]	[A]	[kg/h]
[°C / °F]	-40	-40	143,4	490	123,4	0,51	1,75	0,44	279,8	2,71	3,82
cond. pressure	-35	-31	284,2	971	244,6	0,76	2,59	0,65	375,4	2,92	7,60
pc= 45/113	-30	-22	429,4	1466	369,5	0,94	3,22	0,81	455,0	3,15	11,53
return gas temp.	-25	-13	583,6	1993	502,3	1,11	3,80	0,96	525,1	3,38	15,74
RGT= 32/90	-20	-4	751,5	2567	646,8	1,27	4,34	1,09	591,9	3,62	20,39
liquid temp	-15	5	937,7	3203	807,0	1,42	4,84	1,22	661,7	3,87	25,62
Tliq= 45/113	-5	23	1383,5	4725	1190,7	1,66	5,65	1,42	835,5	4,41	38,46
[°C / °F]	-40	-40	-41,9	-143	-36,1	-0,30	-1,01	-0,25	142,0	2,47	-1,29
cond. pressure	-35	-31	117,7	402	101,3	0,41	1,40	0,35	286,7	2,74	3,64
pc= 55/131	-30	-22	274,3	937	236,1	0,67	2,30	0,58	407,8	3,01	8,52
return gas temp	-25	-13	432,5	1477	372,2	0,85	2,89	0,73	511,7	3,30	13,52
RGT= 32/90	-20	-4	597,0	2039	513,8	0,99	3,37	0,85	604,6	3,60	18,78
liquid temp	-15	5	772,3	2638	664,7	1,11	3,81	0,96	692,9	3,90	24,49
Tliq= 55/131	-5	23	1174,1	4010	1010,4	1,33	4,55	1,15	880,9	4,55	38,00