

Model

Designation	SC15CNX	220-240V/50Hz 1~	Sales code:	104H8565
-------------	----------------	------------------	-------------	-----------------

Compressor design

Oil type	Polyolester	Refrigerant(s)	R290
Oil viscosity	32cST	Displacement	15,28cm ³ / 0,93cu.in
Oil quantity	506cm ³ / 17,1fl.oz	Compressors on pallet	80
Refr. charge - tech. limit	150g / 5,3oz		
Free gas volume comp.	1410cm ³ / 47,7fl.oz		
Weight	13,1kg / 28,9lbs		
Motor protection	1# internal		
Winding resistance main	5,13Ω (at 25°C)		
Winding resistance aux	13,51Ω (at 25°C)		
Max. winding temp.	125°C / 257°F		
Max. discharge temp.	135°C / 275°F		



General - Configurations with SC15CNX

Conf. 1

Motorconfiguration	CSCR
Power supply (nominal)	220-240V/50Hz
Number of phases	1
Voltage range	198-254V
Approvals	VDE, CCC, EAC
Starting torque	HST
Note	- / -

Applications with SC15CNX

Conf. 1

Refrigerant	R290
Application	LBP+MBP
System cooling	fan 3m/s
Hot gas defrost	OK
Long interval pull down	OK

Electrical data - Configurations with SC15CNX

Conf. 1

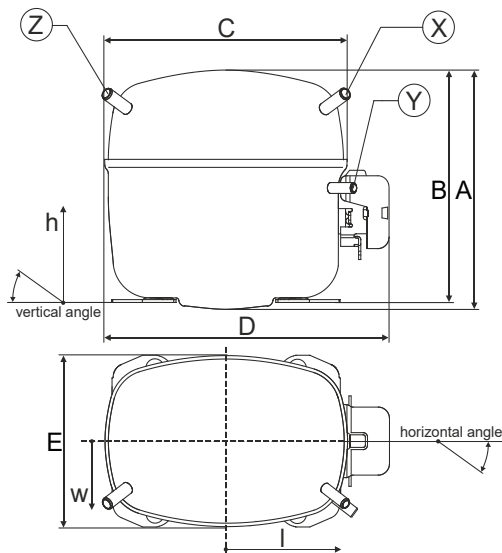
Starting device type	relay
Run capacitor	10μF
Start capacitor	80μF
LRA (locked rotor amps / 4s)	16,2A
RLA (rated load amps / 1s)	3,1A
Cut in current	16,2A

Model

Designation	SC15CNX	220-240V/50Hz 1~	Sales code:	104H8565
-------------	----------------	------------------	-------------	-----------------

Compressor dimensions

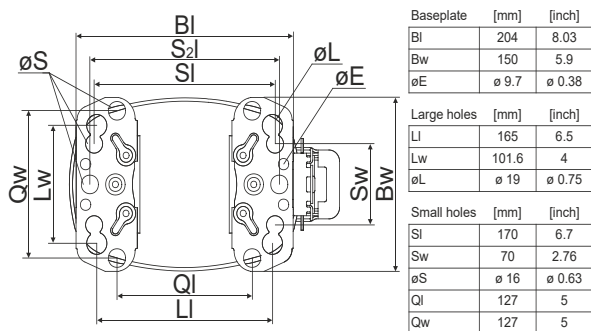
Housing	A Height	209mm / 8,23in
	B Height	203mm / 7,99in
	C Length shell	218mm / 8,58in
	D Length w. cover	255mm / 10,04in
	E Width	151mm / 5,94in



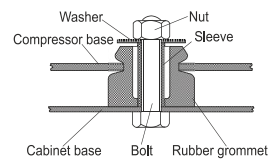
Connectors	Suction		Discharge		Process	
	X		Y		Z	
Diameter [mm]	øi 10,11-10,29		øi 6,11-6,29		øi 6,11-6,29	
(i:inside, o:outside) [in]	øi 0,4-0,41		øi 0,24-0,25		øi 0,24-0,25	
Material	copper		copper		copper	
Horizontal angle ±2°	37°		37°		143°	
Vertical angle ±2°	30°		0°		150°	
Position l/h/w [mm]	107/183/55		115/100/63		-107/183/55	
[in]	4,2/7,2/2,2		4,5/3,9/2,5		-4,2/7,2/2,2	
Straight tube l. [mm]	12		12		12	
[in]	0,5		0,5		0,5	

Compressor fixation

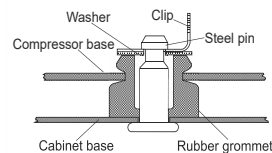
Bolt joint



Baseplate	[mm]	[inch]
BI	204	8.03
Bw	150	5.9
øE	ø 9.7	ø 0.38
Large holes		
	[mm]	[inch]
LI	165	6.5
Lw	101.6	4
øL	ø 19	ø 0.75
Small holes		
	[mm]	[inch]
SI	170	6.7
Sw	70	2.76
øS	ø 16	ø 0.63
QI	127	5
Qw	127	5



Snap-on



Mounting accessories

	one comp.	multi pack
Bolt joint M6 ø16mm	118-1917	118-1918
Bolt joint ø1/4" ø16mm	118-1946	
Bolt joint ø1/4" ø19mm	118-1949	
Snap-on ø7,3 ø16mm	118-1947	118-1919

Application notes

Provision for PE Grounding is located at the PE Stamp on the compressor

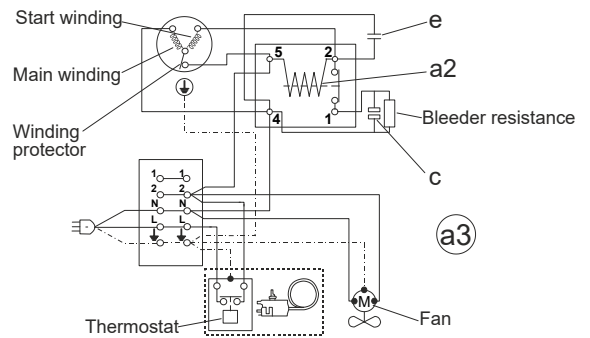
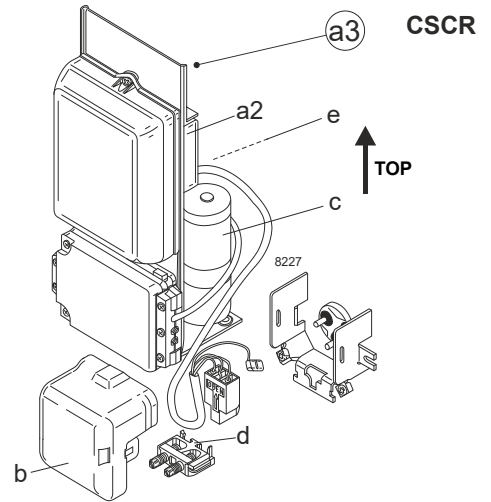
Model

Designation	SC15CNX	220-240V/50Hz	Conf. 1	Sales code:	104H8565
-------------	----------------	----------------------	---------	-------------	-----------------

Configuration

Motorconfiguration	CSCR
Power supply (nominal)	220-240V/50Hz 1~
Refrigerant	R290
Application	LBP+MBP
Voltage range	198-254V
Starting torque	HST
Approvals	VDE
	CCC
	EAC

Electrical accessories / wiring diagram



Ambient/ machine room temperatures minimum /maximum

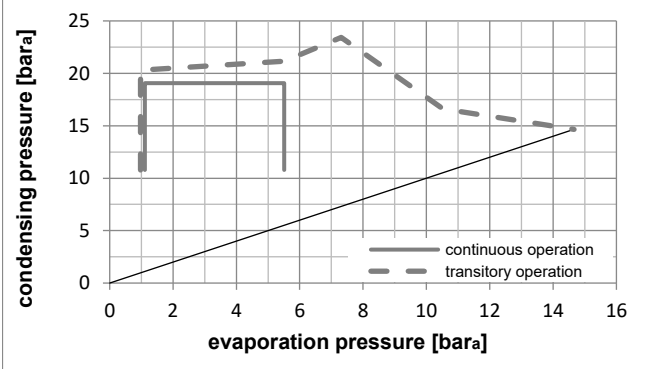
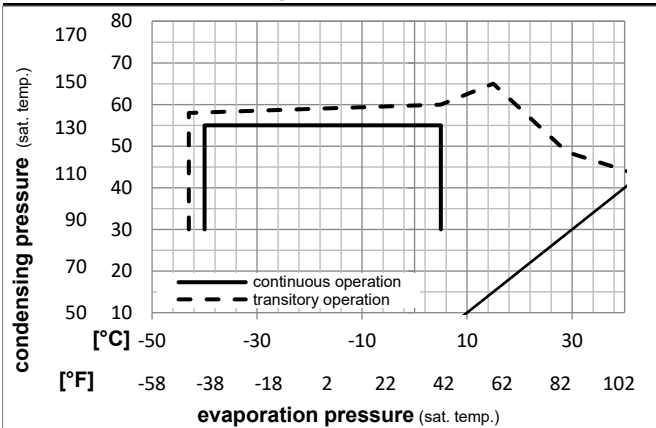
Ambient temperature range: 10 - 43°C / 50 - 110°F

Machine room temperature range: 10 - 48°C / 50 - 119°F

Compressor cooling: fan 3m/s

Operation Limits

Operation pressure range



Components

a3	SC starter kit	117-7031
b	plastic cover	103N2009
d	cord relief	103N1004

Alternative components

a2	potential relay (RVA 413340)	117-7426
e	run capacitor (10µF, 6.3mm)	117-7112
c	start capacitor (80µF)	117U5373
b	plastic cover	103N2009
d	cord relief	103N1004

Model

Designation **SC15CNX** **220-240V/50Hz** Conf. 1 Sales code: **104H8565**

Optimization + standard conditions

R290, 220V/50Hz, CSCR, fan 3m/s, VDE, CCC, EAC

Evaporating pressure (saturation temperature)				Condensing pressure (saturation temperature)			Return gas temp.			Liquid temp.			Cooling capacity			COP	EER	Power consumption			ASHRAE LBP	
pe	pc	RGT	Tliq	[W]	[Btu/h]	[kcal/h]	[W/W]	[Btu/Wh]	[kcal/Wh]	P1	I	Ref. mass flow	[W]	[A]	[kg/h]							
[°C]	-23	54	32	32	595,0	2032	512,0	1,35	4,61	1,16	440,7	2,15	6,03									
[°F]	-10	130	90	90																		
[°C]	-25	55	32	55	434,2	1483	373,6	1,04	3,54	0,89	418,4	2,04	5,41								cecomaf LBP	
[°F]	-13	131	90	131																		
[°C]	-35	40	20	40	334,7	1143	288,1	1,03	3,52	0,89	325,0	1,60	3,82									EN12900 LBP
[°F]	-31	104	68	104																		
[°C]	-7	54	35	46	1184,2	4044	1019,2	1,83	6,25	1,57	647,3	3,23	13,51									ASHRAE MBP
[°F]	20	130	95	115																		
[°C]	-10	55	32	55	928,2	3170	798,8	1,52	5,21	1,31	608,7	3,03	11,74									cecomaf MBP
[°F]	14	131	90	131																		
[°C]	-10	45	20	45	1050,0	3586	903,6	1,87	6,40	1,61	560,3	2,82	12,89									EN12900 MBP
[°F]	14	113	68	113																		

Performance tables

R290, 220V/50Hz, CSCR, fan 3m/s, VDE, CCC, EAC

	pe		Cooling capacity			COP	EER		P1	I	m
	[°C]	[°F]	[W]	[Btu/h]	[kcal/h]	[W/W]	[Btu/Wh]	[kcal/Wh]	[W]	[A]	[kg/h]
[°C / °F]	-40	-40	195,0	666	167,9	0,76	2,61	0,66	255,5	1,28	2,18
cond. pressure	-35	-31	297,0	1014	255,6	0,94	3,22	0,81	315,3	1,55	3,33
pc= 45/113	-30	-22	414,6	1416	356,8	1,12	3,83	0,97	369,6	1,82	4,66
return gas temp.	-25	-13	550,3	1879	473,6	1,31	4,48	1,13	419,8	2,08	6,21
RGT= 32/90	-15	5	886,9	3029	763,3	1,73	5,90	1,49	513,8	2,58	10,09
liquid temp	-5	23	1327,9	4535	1142,8	2,18	7,46	1,88	608,3	3,05	15,29
Tliq= 45/113	5	41	1894,1	6469	1630,1	2,65	9,05	2,28	714,5	3,49	22,16
[°C / °F]	-40	-40	103,6	354	89,2	0,53	1,82	0,46	194,9	0,98	1,28
cond. pressure	-35	-31	200,0	683	172,1	0,73	2,48	0,62	275,4	1,34	2,47
pc= 55/131	-30	-22	309,3	1056	266,2	0,89	3,02	0,76	349,5	1,69	3,84
return gas temp	-25	-13	434,2	1483	373,6	1,04	3,54	0,89	418,4	2,04	5,41
RGT= 32/90	-15	5	741,0	2531	637,7	1,36	4,63	1,17	546,6	2,70	9,32
liquid temp	-5	23	1141,4	3898	982,3	1,70	5,81	1,46	671,2	3,34	14,54
Tliq= 55/131	5	41	1656,4	5657	1425,5	2,06	7,04	1,77	803,3	3,95	21,48