

R290 · 220-240V | 50/60Hz · 100-240V | 50/60Hz

# ADAPTABLE CAPACITY AND INTELLIGENT CONTROL

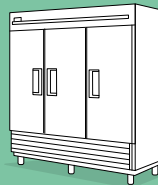
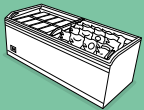
SECCP



NLV-CN MP Multipurpose



Commercial Applications



Variable-Speed Efficiency



Premium Controllers



Wide Application Range



Effective Solutions



Sustainability

- Energy savings of up to 40% compared to a fixed speed R404A compressor
- Suitable for both LBP and MBP applications
- Able to operate continuously inside an evaporating temperature range from -40 to +7.2°C
- Intelligent variable-speed drive °CCD controller (Cool Capacity Drive) with automatic input detection and IP54 housing
- The controller provides a high starting torque and can start against a high differential pressure
- 2 additional relay outputs for case control
- 2-speed defrost control
- Easy customization via Tool4Cool®

Secop's variable speed **NLV-CN** propane compressor solution provides perfect cooling efficiency, tailor-made features, and easy integration within a single unit while ensuring considerable energy savings. The perfect choice for food retail, food storage, and other commercial applications.

It comes with our °CCD **MP (Multipurpose)** controller featuring speed control through Adaptive Energy Optimization (AEO), frequency signal, or serial communication. Various controllers are available, including a multi-voltage controller which can be used for all voltages and frequencies globally.

The new MP controller features improved robustness and safety: fire-proof IP54 housing, PCB coating, galvanic isolated I/Os, and SW safety layers.

The NLV-CN is the right choice if you are looking for a green solution using the environmentally-friendly refrigerant propane (R290) with a low global warming potential (GWP 3).

General		NLV8.0CN		NLV10CN		NLV12.6CN		NLV15CN*	
Compressor connectors:	metric   inch	105H7808	105H7809	105H7003	105H7004	105H6365	105H6366	105H7520	-
Electronic unit - <b>MP</b> Standard	220-240 V	105N4910		105N4910		105N4910		105N4914	
Approvals	50/60 Hz	EN 60335-2-34 with Annex AA, CCC							
Electronic unit - <b>MP</b> Multi-Voltage	100-240 V	105N4960		105N4960		105N4960		105N4964	
Approvals	50/60 Hz	EN 60335-2-34 with Annex AA, UL 60335-2-34 with Annex AA, CB IEC 60335-2-34, CCC							
Electronic unit - <b>MP</b> Multi-Voltage	100-240 V	105N4962		105N4962		105N4962		105N4966	
Approvals (US GFCI-Conformity)	50/60 Hz	EN 60335-2-34 with Annex AA, UL 60335-2-34 with Annex AA, CB IEC 60335-2-34, CCC							
Power Factor Correction		PFC according to EN 61000-3-2:2014							

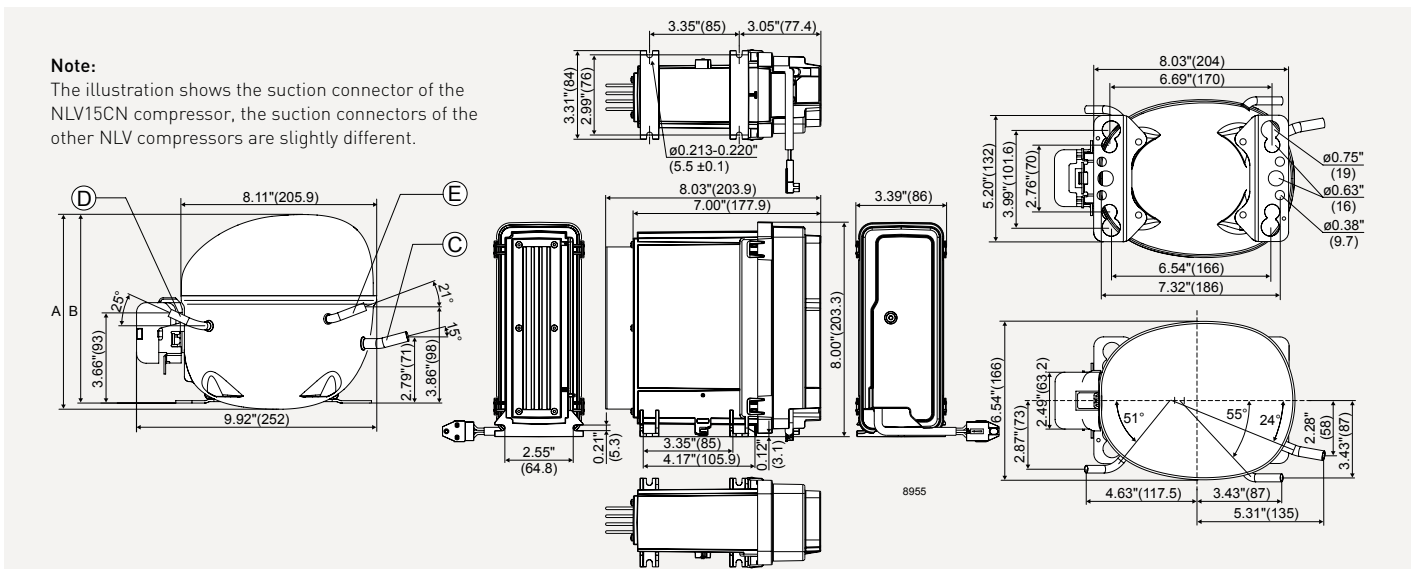
\*preliminary data

Application		R290										
Application		LBP/MBP										
Evaporating temperature	°C (°F)	-40 to 7.2 (-40 to 45)			-40 to 7.2 (-40 to 45)			-40 to 7.2 (-40 to 45)			-40 to 0 (-40 to 32)	
Voltage range / frequency	V/Hz	180-270 / 50/60 (Standard)   90-270 / 50/60 (Multi Voltage)										
Speed range	rpm	2000-4500			2000-4500			2000-4500			2000-5000	

Performance Data ASHRAE LBP (115/220 V, 50/60 Hz • fan cooling) @ -23.3°C (-10°F) evaporating temperature													
Speed	rpm	2000	3000	4500	2000	3000	4500	2000	3000	4500	2000	3000	5000
Cooling capacity	W	266	384	558	352	514	749	422	653	938	521	797	1320
	BTU/h	907	1313	1905	1202	1756	2559	1442	2232	3204	1777	2716	4500
Power consumption	W	153	217	324	203	289	425	251	371	566	302	443	769
COP	W/W	1.73	1.78	1.72	1.74	1.78	1.76	1.68	1.76	1.66	1.73	1.80	1.72
EER	BTU/Wh	5.91	6.06	5.88	5.93	6.07	6.02	5.75	6.02	5.66	5.89	6.13	5.86
Test conditions	Condensing temp.: 54.4°C (130°F)   Suction gas temp.: 32.2°C (90°F)   Ambient temp.: 32.2°C (90°F)   Liquid temp.: 32.2°C (90°F)												

Performance Data ASHRAE MBP (115/220 V, 50/60 Hz • fan cooling) @ -6.7°C (20°F) evaporating temperature													
Speed	rpm	2000	3000	4500	2000	3000	4500	2000	3000	4500	2000	3000	5000
Cooling capacity	W	489	718	1049	636	929	1357	753	1137	1675	886	1424	1927
	BTU/h	1671	2453	3581	2172	3173	4635	2572	3882	5719	3022	4855	6570
Power consumption	W	216	306	458	289	408	612	348	520	818	428	668	960
COP	W/W	2.27	2.35	2.29	2.21	2.28	2.22	2.17	2.19	2.05	2.07	2.13	2.01
EER	BTU/Wh	7.74	8.02	7.82	7.53	7.79	7.57	7.40	7.46	6.99	7.07	7.27	6.84
Test conditions	Condensing temp.: 54.4°C (130°F)   Suction gas temp.: 35°C (95°F)   Ambient temp.: 32.2°C (90°F)   Liquid temp.: 46.1°C (115°F)												

Dimensions		105H7808 / 105H7003 / 105H6365 / 105H7520				105H7809 / 105H7004 / 105H6366							
Height	mm (inch)	A				203				203 (7.99)			
		B				197				197 (7.76)			
Suction connector	location/l.D. mm (inch)	C				8.2   15°				8.2 (0.320-0.327)   15°			
	angle   material   seal					Copper   Rubber plug				Copper   Rubber plug			
Process connector	location/l.D. mm (inch)	D				6.2   25°				6.5 (0.252-0.259)   25°			
	angle   material   seal					Copper   Rubber plug				Copper   Rubber plug			
Discharge connector	location/l.D. mm (inch)	E				6.2   21°				6.5 (0.252-0.259)   21°			
	angle   material   seal					Copper   Rubber plug				Copper   Rubber plug			
Connector tolerance	I.D. mm	±0.09								-			



Secop GmbH · Lise-Meitner-Str. 29 · 24941 Flensburg, Germany · Tel: +49 461 4941 0 · [www.secop.com](http://www.secop.com)

Secop accepts no responsibility for possible errors in catalogs, brochures, and other printed material. Secop reserves the right to alter its products without notice. This also applies to products already on order provided that such alterations can be made without consequential changes being necessary to specifications already agreed. All trademarks in this material are the property of the respective companies. Secop and the Secop logotype are trademarks of Secop GmbH. All rights reserved.