

Model

| | | | | |
|-------------|------------------|-----------------------------------|-------------|-----------------|
| Designation | DLE4.8CNT | 220-240V/50Hz 1~ 208-230V/60Hz 1~ | Sales code: | 102H3589 |
|-------------|------------------|-----------------------------------|-------------|-----------------|

Compressor design

| | | | |
|----------------------------|---------------------------------|-----------------------|--------------------------------|
| Oil type | Polyolester | Refrigerant(s) | R290 |
| Oil viscosity | 32cST | Displacement | 4,8cm ³ / 0,29cu.in |
| Oil quantity | 223cm ³ / 7,6fl.oz | Compressors on pallet | 100 |
| Refr. charge - tech. limit | 150g / 5,3oz | | |
| Free gas volume comp. | 1325cm ³ / 44,8fl.oz | | |
| Weight | 8,5kg / 18,7lbs | | |
| Motor protection | 1# internal | | |
| Winding resistance main | 10,84Ω (at 25°C) | | |
| Winding resistance aux | 11,36Ω (at 25°C) | | |
| Max. winding temp. | 125°C / 257°F | | |
| Max. discharge temp. | 130°C / 266°F | | |



General - Configurations with DLE4.8CNT

| | Conf. 1 | Conf. 2 | Conf. 3 | Conf. 4 | Conf. 5 |
|------------------------|--|----------------|----------------|----------------|----------------|
| Motorconfiguration | CSIR | CSIR | RSIR | RSCR | RSCR |
| Power supply (nominal) | 208-230V/60Hz | 220-240V/50Hz | 220-240V/50Hz | 208-230V/60Hz | 220-240V/50Hz |
| Number of phases | 1 | 1 | 1 | 1 | 1 |
| Voltage range | 187-253V | 187-254V | 187-254V | 187-253V | 187-254V |
| Approvals | UL, CCC | UL, CCC | UL, CCC | UL, CCC | UL, CCC |
| Starting torque | HST | HST | LST | LST | LST |
| Note | Housing with dip-tray fixture (omega bracket). | | | | |

Applications with DLE4.8CNT

| | Conf. 1 | Conf. 2 | Conf. 3 | Conf. 4 | Conf. 5 |
|-------------------------|----------------|----------------|----------------|----------------|----------------|
| Refrigerant | R290 | R290 | R290 | R290 | R290 |
| Application | LBP+MBP | LBP+MBP | LBP+MBP | LBP+MBP | LBP+MBP |
| System cooling | fan 3m/s | fan 3m/s | fan 3m/s | fan 3m/s | fan 3m/s |
| Hot gas defrost | OK | OK | OK | OK | OK |
| Long interval pull down | OK | OK | OK | OK | OK |

Electrical data - Configurations with DLE4.8CNT

| | Conf. 1 | Conf. 2 | Conf. 3 | Conf. 4 | Conf. 5 |
|------------------------------|----------------|----------------|----------------|----------------|----------------|
| Starting device type | relay | relay | PTC | PTC | PTC |
| Run capacitor | -/- | -/- | -/- | 5μF | 5μF |
| Start capacitor | 80μF | 80μF | -/- | -/- | -/- |
| LRA (locked rotor amps / 4s) | 9,34A | 9,65A | 9,18A | 8,39A | 9,18A |
| RLA (rated load amps / 1s) | 1,67A | 1,91A | 1,91A | 1,65A | 1,7A |
| Cut in current | 9,34A | 9,65A | 14,3A | 13,34A | 14,3A |

Model

Designation

DLE4.8CNT

220-240V/50Hz 1~ 208-230V/60Hz 1~

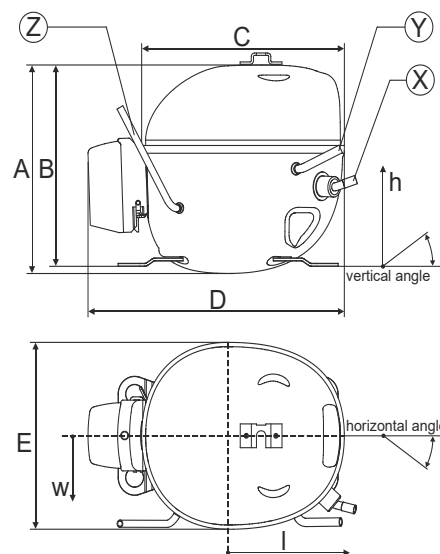
Sales code:

102H3589

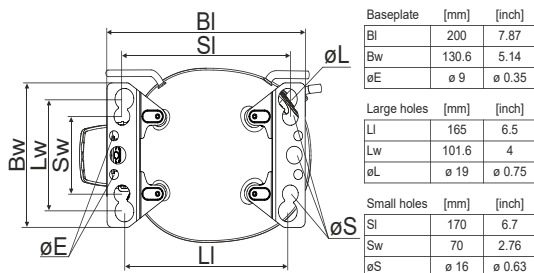
Compressor dimensions

| | | |
|----------------|-------------------|----------------|
| Housing | A Height | 174mm / 6,85in |
| | B Height | 168mm / 6,61in |
| | C Length shell | 183mm / 7,2in |
| | D Length w. cover | 232mm / 9,13in |
| | E Width | 156mm / 6,14in |

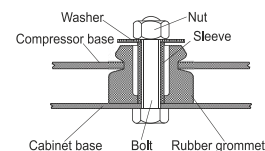
| Connectors | Suction X | Discharge Y | Process Z |
|----------------------------|--------------|----------------|--------------|
| Diameter [mm] | øi 8,11-8,29 | øi 6,41-6,59 | øi 6,4-6,6 |
| (i:inside, o:outside) [in] | øi 0,32-0,33 | øi 0,25-0,26 | øi 0,25-0,26 |
| Material | copper | copper | copper |
| Horizontal angle ±2° | 10° | 0° | 0° |
| Vertical angle ±2° | 18° | 25° | 119° |
| Position l/h/w [mm] | 135/77/67 | 98/96/72 | -98/133/73 |
| [in] | 5,3/3/2,6 | 3,8/3,8/2,8 | -3,9/5,2/2,9 |
| Straight tube l. [mm] | 12 | 12 | 12 |
| [in] | 0,5 | 0,5 | 0,5 |



Compressor fixation



Bolt joint



Snap-on



Mounting accessories

| | one comp. | multi pack |
|----------------------------|-----------|------------|
| Bolt joint M6 ø16mm | 118-1917 | 118-1918 |
| Bolt joint ø1/4" ø16mm | 118-1946 | |
| Bolt joint ø1/4" ø19mm | 118-1949 | |
| Snap-on ø7,3 ø16mm | 118-1947 | 118-1919 |

Application notes

Housing with dip-tray fixture (omega bracket).

LRA value on compressor label and datasheet may differ due to different test conditions for UL approval.

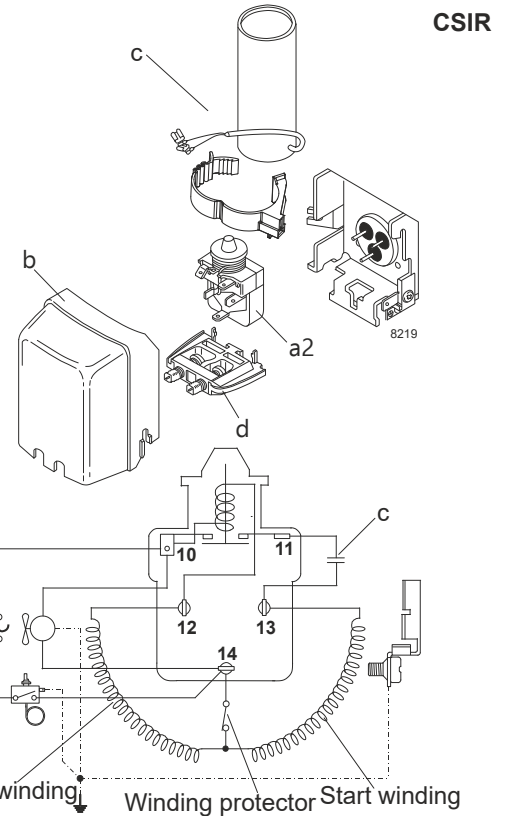
Model

| | | | | | |
|-------------|------------------|----------------------|---------|-------------|-----------------|
| Designation | DLE4.8CNT | 208-230V/60Hz | Conf. 1 | Sales code: | 102H3589 |
|-------------|------------------|----------------------|---------|-------------|-----------------|

Configuration

| | | |
|------------------------|------------------|--------|
| Motorconfiguration | CSIR | |
| Power supply (nominal) | 208-230V/60Hz 1~ | |
| Refrigerant | R290 | |
| Application | LBP+MBP | |
| Voltage range | 187-253V | |
| Starting torque | HST | |
| Approvals | UL | SA3693 |
| | CCC | |

Electrical accessories / wiring diagram

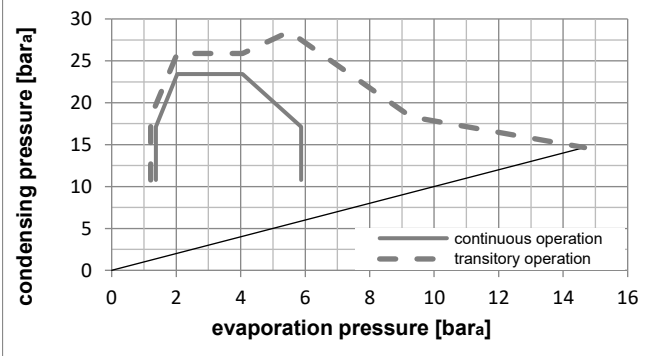
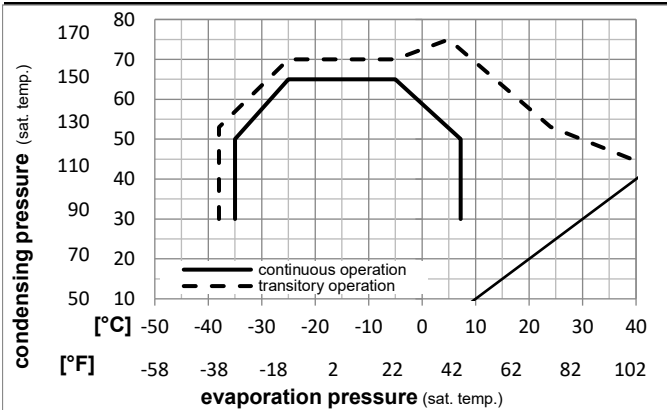


Ambient temperatures / system cooling

| | |
|---------------------------|--------------|
| Ambient temperature min.: | 10°C / 50°F |
| Ambient temperature max.: | 43°C / 110°F |

| System cooling (n/a: outside limits) | | | |
|--------------------------------------|----------|----------|-----|
| T ambient | LBP | MBP | HBP |
| 32°C / 90°F | fan 3m/s | fan 3m/s | n/a |
| 38°C / 100°F | fan 3m/s | fan 3m/s | n/a |
| 43°C / 110°F | fan 3m/s | fan 3m/s | n/a |

Operation pressure range



Components

| | | |
|----|------------------------|----------|
| a2 | relay | 117U7002 |
| c | start capacitor (80µF) | 117U5015 |
| b | plastic cover | 103N0491 |
| d | cord relief | 103N1010 |

Model

Designation **DLE4.8CNT** **208-230V/60Hz** Conf. 1 Sales code: **102H3589**

Optimization + standard conditions

R290, 230V/60Hz, CSIR, fan 3m/s, UL, CCC

| | | Evaporating pressure (saturation temperature) | | | | Condensing pressure (saturation temperature) | | | Return gas temp. | | Liquid temp. | | Cooling capacity | | | COP | EER | Power consumption | | |
|------|------|---|------|------|------|--|---------|----------|------------------|----------|--------------|-------|------------------|----------------|-------------|-----|-----|-------------------|--|--|
| | | pe | pc | RGT | Tliq | [W] | [Btu/h] | [kcal/h] | [W/W] | [Btu/Wh] | [kcal/Wh] | P1 | I | Ref. mass flow | | | | | | |
| [°C] | [°F] | [°C] | [°F] | [°C] | [°F] | | | | | | | [W] | [A] | [kg/h] | ASHRAE LBP | | | | | |
| -23 | -10 | 54 | 130 | 32 | 90 | 282,3 | 964 | 243,0 | 1,51 | 5,16 | 1,30 | 186,9 | 1,25 | 2,86 | ASHRAE LBP | | | | | |
| -25 | -13 | 55 | 131 | 32 | 90 | 211,9 | 724 | 182,3 | 1,17 | 3,99 | 1,01 | 181,3 | 1,23 | 2,64 | cecomaf LBP | | | | | |
| -35 | -31 | 40 | 104 | 20 | 68 | 160,3 | 547 | 138,0 | 1,15 | 3,91 | 0,99 | 139,8 | 1,13 | 1,83 | EN12900 LBP | | | | | |
| -7 | 20 | 54 | 130 | 35 | 95 | 501,9 | 1714 | 432,0 | 2,03 | 6,93 | 1,75 | 247,3 | 1,44 | 5,73 | ASHRAE MBP | | | | | |
| -10 | 14 | 55 | 131 | 32 | 90 | 398,2 | 1360 | 342,7 | 1,68 | 5,75 | 1,45 | 236,7 | 1,41 | 5,04 | cecomaf MBP | | | | | |
| -10 | 14 | 45 | 113 | 20 | 68 | 443,3 | 1514 | 381,5 | 2,03 | 6,94 | 1,75 | 218,1 | 1,34 | 5,44 | EN12900 MBP | | | | | |

Performance tables

R290, 230V/60Hz, CSIR, fan 3m/s, UL, CCC

| | pe | | Cooling capacity | | | COP | EER | P1 | I | m | |
|------------------|------|------|------------------|---------|----------|-------|----------|-----------|-------|------|--------|
| | [°C] | [°F] | [W] | [Btu/h] | [kcal/h] | [W/W] | [Btu/Wh] | [kcal/Wh] | [W] | [A] | [kg/h] |
| [°C / °F] | -35 | -31 | 153,5 | 524 | 132,1 | 1,08 | 3,69 | 0,93 | 142,2 | 1,13 | 1,72 |
| cond. pressure | -23 | -10 | 267,2 | 912 | 229,9 | 1,50 | 5,13 | 1,29 | 178,0 | 1,22 | 3,02 |
| pc= 45/113 | -15 | 5 | 379,0 | 1294 | 326,2 | 1,86 | 6,35 | 1,60 | 203,8 | 1,30 | 4,31 |
| return gas temp. | -9 | 15 | 471,4 | 1610 | 405,7 | 2,15 | 7,33 | 1,85 | 219,6 | 1,35 | 5,40 |
| RGT= 32/90 | -4 | 25 | 580,5 | 1982 | 499,6 | 2,49 | 8,50 | 2,14 | 233,3 | 1,40 | 6,69 |
| liquid temp | 0 | 32 | 667,7 | 2280 | 574,6 | 2,77 | 9,45 | 2,38 | 241,2 | 1,42 | 7,74 |
| Tliq= 45/113 | 7,2 | 45 | 856,0 | 2923 | 736,7 | 3,41 | 11,64 | 2,93 | 251,2 | 1,46 | 10,06 |
| [°C / °F] | -35 | -31 | 127,2 | 435 | 109,5 | 0,86 | 2,95 | 0,74 | 147,4 | 1,14 | 1,57 |
| cond. pressure | -23 | -10 | 228,6 | 781 | 196,7 | 1,22 | 4,17 | 1,05 | 187,4 | 1,25 | 2,85 |
| pc= 55/131 | -15 | 5 | 326,3 | 1114 | 280,8 | 1,49 | 5,10 | 1,29 | 218,4 | 1,35 | 4,10 |
| return gas temp | -9 | 15 | 406,9 | 1390 | 350,2 | 1,70 | 5,82 | 1,47 | 238,7 | 1,41 | 5,15 |
| RGT= 32/90 | -4 | 25 | 502,2 | 1715 | 432,2 | 1,95 | 6,65 | 1,68 | 257,8 | 1,48 | 6,41 |
| liquid temp | 0 | 32 | 578,6 | 1976 | 497,9 | 2,14 | 7,32 | 1,84 | 269,9 | 1,52 | 7,43 |
| Tliq= 55/131 | 7,2 | 45 | 744,2 | 2542 | 640,5 | 2,58 | 8,80 | 2,22 | 288,9 | 1,60 | 9,70 |

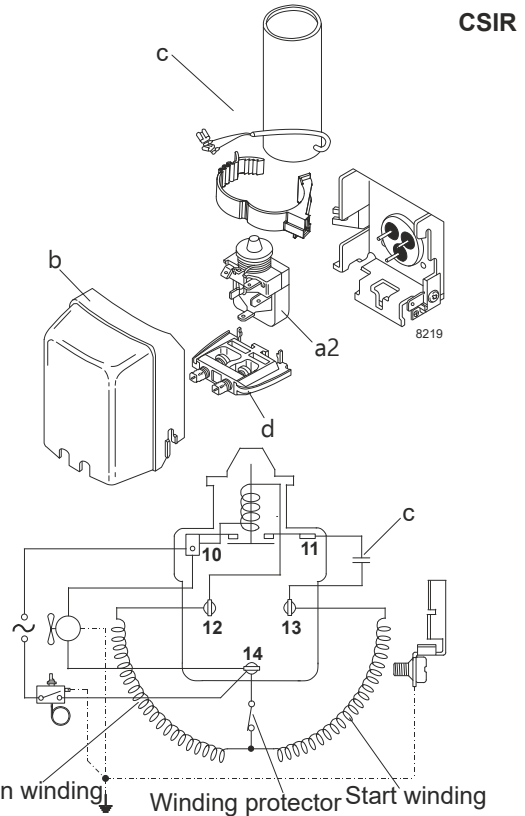
Model

| | | | | | |
|-------------|------------------|----------------------|----------------|-------------|-----------------|
| Designation | DLE4.8CNT | 220-240V/50Hz | Conf. 2 | Sales code: | 102H3589 |
|-------------|------------------|----------------------|----------------|-------------|-----------------|

Configuration

| | | |
|------------------------|------------------|--------|
| Motorconfiguration | CSIR | |
| Power supply (nominal) | 220-240V/50Hz 1~ | |
| Refrigerant | R290 | |
| Application | LBP+MBP | |
| Voltage range | 187-254V | |
| Starting torque | HST | |
| Approvals | UL | SA3693 |
| | CCC | |

Electrical accessories / wiring diagram

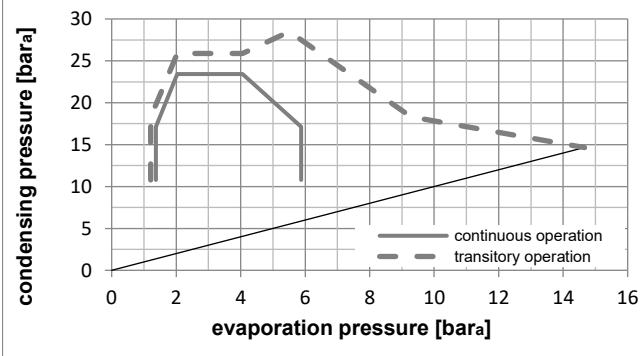
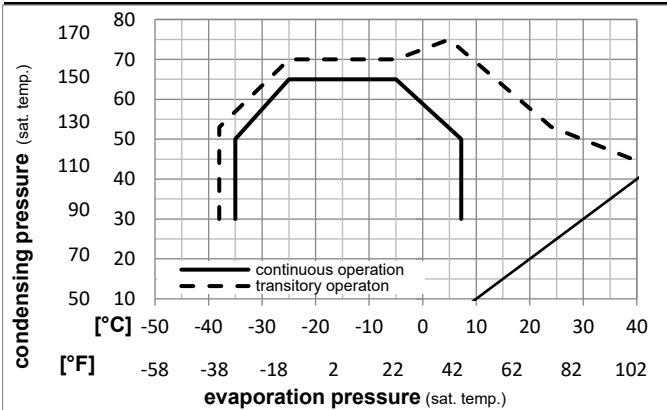


Ambient temperatures / system cooling

| | |
|---------------------------|--------------|
| Ambient temperature min.: | 10°C / 50°F |
| Ambient temperature max.: | 43°C / 110°F |

| System cooling (n/a: outside limits) | | | |
|--------------------------------------|----------|----------|-----|
| T ambient | LBP | MBP | HBP |
| 32°C / 90°F | fan 3m/s | fan 3m/s | n/a |
| 38°C / 100°F | fan 3m/s | fan 3m/s | n/a |
| 43°C / 110°F | fan 3m/s | fan 3m/s | n/a |

Operation pressure range



Components

| | | |
|----|------------------------|----------|
| a2 | relay | 117U7002 |
| c | start capacitor (80µF) | 117U5015 |
| b | plastic cover | 103N0491 |
| d | cord relief | 103N1010 |

Model

Designation **DLE4.8CNT** **220-240V/50Hz** Conf. 2 Sales code: **102H3589**

Optimization + standard conditions

R290, 220V/50Hz, CSIR, fan 3m/s, UL, CCC

| | | Evaporating pressure (saturation temperature) | | | | Condensing pressure (saturation temperature) | | | | | Power consumption | | | | |
|------|------|---|------|-------|--------------|--|------------------|----------|-------|----------|-------------------|---------------------|-------------|----------------|--|
| | | Return gas temp. | | | Liquid temp. | | Cooling capacity | | | COP | EER | Current consumption | | Ref. mass flow | |
| | | pe | pc | RGT | Tliq | [W] | [Btu/h] | [kcal/h] | [W/W] | [Btu/Wh] | [kcal/Wh] | P1 | I | m | |
| [°C] | [°F] | [°C] | [°F] | [°C] | [°C] | | | | | | | [W] | [A] | [kg/h] | |
| -23 | 54 | 32 | 32 | 232,0 | 792 | 199,6 | 1,38 | 4,72 | 1,19 | 167,9 | 1,37 | 2,35 | ASHRAE LBP | | |
| -10 | 130 | 90 | 90 | | | | | | | | | | | | |
| -25 | 55 | 32 | 55 | 174,0 | 594 | 149,7 | 1,06 | 3,63 | 0,92 | 163,5 | 1,35 | 2,17 | cecomaf LBP | | |
| -13 | 131 | 90 | 131 | | | | | | | | | | | | |
| -35 | 40 | 20 | 40 | 132,5 | 452 | 114,0 | 1,04 | 3,57 | 0,90 | 126,9 | 1,25 | 1,51 | EN12900 LBP | | |
| -31 | 104 | 68 | 104 | | | | | | | | | | | | |
| -7 | 54 | 35 | 46 | 417,7 | 1426 | 359,4 | 1,95 | 6,68 | 1,68 | 213,7 | 1,52 | 4,76 | ASHRAE MBP | | |
| 20 | 130 | 95 | 115 | | | | | | | | | | | | |
| -10 | 55 | 32 | 55 | 330,5 | 1129 | 284,4 | 1,61 | 5,48 | 1,38 | 205,9 | 1,49 | 4,18 | cecomaf MBP | | |
| 14 | 131 | 90 | 131 | | | | | | | | | | | | |
| -10 | 45 | 20 | 45 | 367,8 | 1256 | 316,6 | 1,94 | 6,62 | 1,67 | 189,6 | 1,43 | 4,52 | EN12900 MBP | | |
| 14 | 113 | 68 | 113 | | | | | | | | | | | | |

Performance tables

R290, 220V/50Hz, CSIR, fan 3m/s, UL, CCC

| | pe | | Cooling capacity | | | COP | EER | P1 | I | m | |
|------------------|------|------|------------------|---------|----------|-------|----------|-----------|-------|------|--------|
| | [°C] | [°F] | [W] | [Btu/h] | [kcal/h] | [W/W] | [Btu/Wh] | [kcal/Wh] | [W] | [A] | [kg/h] |
| [°C / °F] | -35 | -31 | 127,0 | 434 | 109,3 | 0,98 | 3,36 | 0,85 | 129,1 | 1,25 | 1,42 |
| cond. pressure | -23 | -10 | 219,5 | 750 | 188,9 | 1,37 | 4,69 | 1,18 | 160,0 | 1,34 | 2,48 |
| pc= 45/113 | -15 | 5 | 313,2 | 1070 | 269,5 | 1,75 | 5,96 | 1,50 | 179,4 | 1,39 | 3,56 |
| return gas temp. | -9 | 15 | 391,4 | 1337 | 336,8 | 2,05 | 7,01 | 1,77 | 190,7 | 1,43 | 4,48 |
| RGT= 32/90 | -4 | 25 | 484,0 | 1653 | 416,5 | 2,41 | 8,24 | 2,08 | 200,6 | 1,46 | 5,58 |
| liquid temp | 0 | 32 | 558,2 | 1906 | 480,4 | 2,70 | 9,22 | 2,32 | 206,7 | 1,49 | 6,47 |
| Tliq= 45/113 | 7,2 | 45 | 718,7 | 2454 | 618,5 | 3,33 | 11,38 | 2,87 | 215,6 | 1,53 | 8,44 |
| [°C / °F] | -35 | -31 | 105,3 | 360 | 90,6 | 0,79 | 2,69 | 0,68 | 133,9 | 1,27 | 1,30 |
| cond. pressure | -23 | -10 | 187,8 | 641 | 161,6 | 1,12 | 3,81 | 0,96 | 168,4 | 1,37 | 2,34 |
| pc= 55/131 | -15 | 5 | 269,7 | 921 | 232,1 | 1,40 | 4,79 | 1,21 | 192,2 | 1,44 | 3,39 |
| return gas temp | -9 | 15 | 337,8 | 1154 | 290,7 | 1,63 | 5,56 | 1,40 | 207,4 | 1,50 | 4,28 |
| RGT= 32/90 | -4 | 25 | 418,7 | 1430 | 360,3 | 1,89 | 6,45 | 1,62 | 221,8 | 1,55 | 5,34 |
| liquid temp | 0 | 32 | 483,7 | 1652 | 416,3 | 2,09 | 7,14 | 1,80 | 231,4 | 1,59 | 6,21 |
| Tliq= 55/131 | 7,2 | 45 | 624,7 | 2134 | 537,7 | 2,52 | 8,61 | 2,17 | 247,9 | 1,67 | 8,14 |

Model

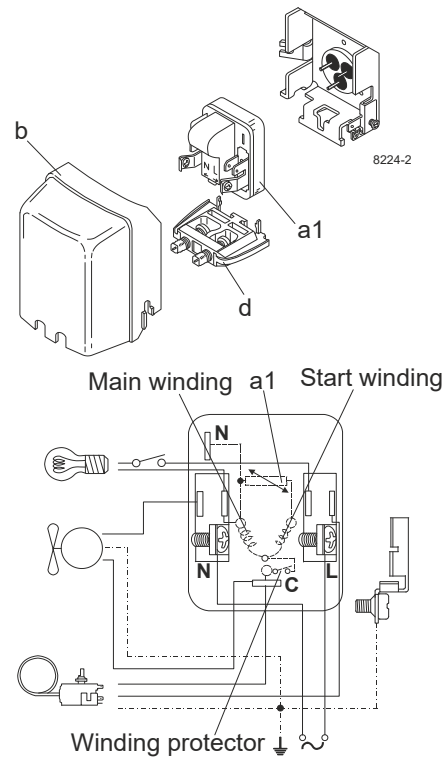
| | | | | | |
|-------------|------------------|----------------------|----------------|-------------|-----------------|
| Designation | DLE4.8CNT | 220-240V/50Hz | Conf. 3 | Sales code: | 102H3589 |
|-------------|------------------|----------------------|----------------|-------------|-----------------|

Configuration

| | | |
|------------------------|------------------|--------|
| Motorconfiguration | RSIR | |
| Power supply (nominal) | 220-240V/50Hz 1~ | |
| Refrigerant | R290 | |
| Application | LBP+MBP | |
| Voltage range | 187-254V | |
| Starting torque | LST | |
| Approvals | UL | SA3693 |
| | CCC | |

Electrical accessories / wiring diagram

RSIR

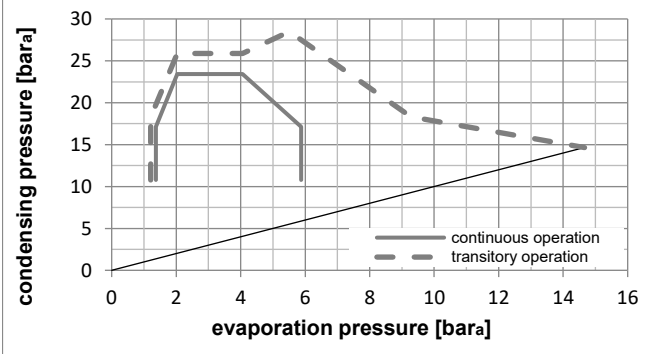
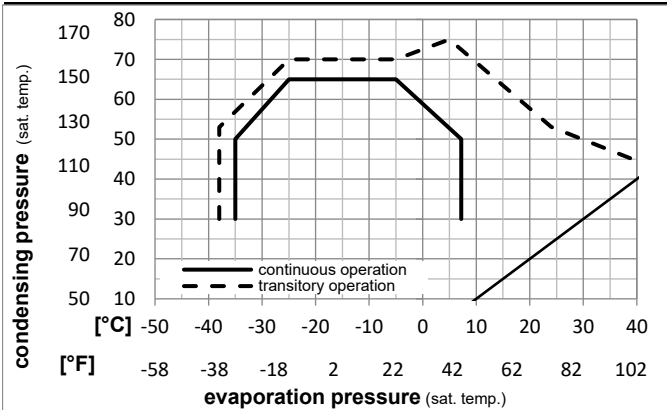


Ambient temperatures / system cooling

| | |
|---------------------------|--------------|
| Ambient temperature min.: | 10°C / 50°F |
| Ambient temperature max.: | 43°C / 110°F |

| System cooling (n/a: outside limits) | | | |
|--------------------------------------|----------|----------|-----|
| T ambient | LBP | MBP | HBP |
| 32°C / 90°F | fan 3m/s | fan 3m/s | n/a |
| 38°C / 100°F | fan 3m/s | fan 3m/s | n/a |
| 43°C / 110°F | fan 3m/s | fan 3m/s | n/a |

Operation pressure range



Components

| | | |
|----|------------------------------------|----------|
| a1 | e-PTC starter (220V, 25Ohm, 4.8mm) | 103N0050 |
| b | plastic cover | 103N0491 |
| d | cord relief | 103N1010 |

Model

Designation **DLE4.8CNT** **220-240V/50Hz** Conf. 3 Sales code: **102H3589**

Optimization + standard conditions

R290, 220V/50Hz, RSIR, fan 3m/s, UL, CCC

| | | Evaporating pressure (saturation temperature) | | | Condensing pressure (saturation temperature) | | | Return gas temp. | | | Liquid temp. | | | Cooling capacity | | | COP | EER | Power consumption | | | |
|------|------|---|------|------|--|-----|---------|------------------|-------|----------|--------------|------|------|------------------|------|------|--------|-----|-------------------|--|-------------|--|
| | | pe | pc | RGT | Tliq | [W] | [Btu/h] | [kcal/h] | [W/W] | [Btu/Wh] | [kcal/Wh] | P1 | I | m | [W] | [A] | [kg/h] | | | | | |
| [°C] | [°F] | [°C] | [°F] | [°C] | [°F] | | | | | | | | | | | | | | | | | |
| -23 | -10 | 54 | 130 | 32 | 90 | 32 | 90 | 232,0 | 792 | 199,6 | 1,38 | 4,72 | 1,19 | 167,9 | 1,37 | 2,35 | | | | | ASHRAE LBP | |
| -25 | -13 | 55 | 131 | 32 | 90 | 55 | 131 | 174,0 | 594 | 149,7 | 1,06 | 3,63 | 0,92 | 163,5 | 1,35 | 2,17 | | | | | cecomaf LBP | |
| -35 | -31 | 40 | 104 | 20 | 68 | 40 | 104 | 132,5 | 452 | 114,0 | 1,04 | 3,57 | 0,90 | 126,9 | 1,25 | 1,51 | | | | | EN12900 LBP | |
| -7 | 20 | 54 | 130 | 35 | 95 | 46 | 115 | 417,7 | 1426 | 359,4 | 1,95 | 6,68 | 1,68 | 213,7 | 1,52 | 4,76 | | | | | ASHRAE MBP | |
| -10 | 14 | 55 | 131 | 32 | 90 | 55 | 131 | 330,5 | 1129 | 284,4 | 1,61 | 5,48 | 1,38 | 205,9 | 1,49 | 4,18 | | | | | cecomaf MBP | |
| -10 | 14 | 45 | 113 | 20 | 68 | 45 | 113 | 367,8 | 1256 | 316,6 | 1,94 | 6,62 | 1,67 | 189,6 | 1,43 | 4,52 | | | | | EN12900 MBP | |

Performance tables

R290, 220V/50Hz, RSIR, fan 3m/s, UL, CCC

| | pe | | Cooling capacity | | | COP | EER | P1 | I | m | |
|------------------|------|------|------------------|---------|----------|-------|----------|-----------|-------|------|--------|
| | [°C] | [°F] | [W] | [Btu/h] | [kcal/h] | [W/W] | [Btu/Wh] | [kcal/Wh] | [W] | [A] | [kg/h] |
| [°C / °F] | -35 | -31 | 127,0 | 434 | 109,3 | 0,98 | 3,36 | 0,85 | 129,1 | 1,25 | 1,42 |
| cond. pressure | -23 | -10 | 219,5 | 750 | 188,9 | 1,37 | 4,69 | 1,18 | 160,0 | 1,34 | 2,48 |
| pc= 45/113 | -15 | 5 | 313,2 | 1070 | 269,5 | 1,75 | 5,96 | 1,50 | 179,4 | 1,39 | 3,56 |
| return gas temp. | -9 | 15 | 391,4 | 1337 | 336,8 | 2,05 | 7,01 | 1,77 | 190,7 | 1,43 | 4,48 |
| RGT= 32/90 | -4 | 25 | 484,0 | 1653 | 416,5 | 2,41 | 8,24 | 2,08 | 200,6 | 1,46 | 5,58 |
| liquid temp | 0 | 32 | 558,2 | 1906 | 480,4 | 2,70 | 9,22 | 2,32 | 206,7 | 1,49 | 6,47 |
| Tliq= 45/113 | 7,2 | 45 | 718,7 | 2454 | 618,5 | 3,33 | 11,38 | 2,87 | 215,6 | 1,53 | 8,44 |
| [°C / °F] | -35 | -31 | 105,3 | 360 | 90,6 | 0,79 | 2,69 | 0,68 | 133,9 | 1,27 | 1,30 |
| cond. pressure | -23 | -10 | 187,8 | 641 | 161,6 | 1,12 | 3,81 | 0,96 | 168,4 | 1,37 | 2,34 |
| pc= 55/131 | -15 | 5 | 269,7 | 921 | 232,1 | 1,40 | 4,79 | 1,21 | 192,2 | 1,44 | 3,39 |
| return gas temp | -9 | 15 | 337,8 | 1154 | 290,7 | 1,63 | 5,56 | 1,40 | 207,4 | 1,50 | 4,28 |
| RGT= 32/90 | -4 | 25 | 418,7 | 1430 | 360,3 | 1,89 | 6,45 | 1,62 | 221,8 | 1,55 | 5,34 |
| liquid temp | 0 | 32 | 483,7 | 1652 | 416,3 | 2,09 | 7,14 | 1,80 | 231,4 | 1,59 | 6,21 |
| Tliq= 55/131 | 7,2 | 45 | 624,7 | 2134 | 537,7 | 2,52 | 8,61 | 2,17 | 247,9 | 1,67 | 8,14 |

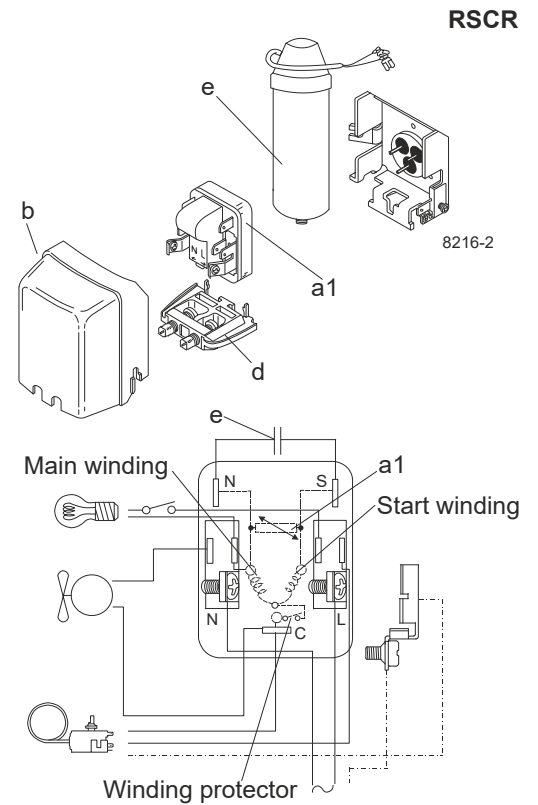
Model

| | | | | | |
|-------------|------------------|----------------------|----------------|-------------|-----------------|
| Designation | DLE4.8CNT | 208-230V/60Hz | Conf. 4 | Sales code: | 102H3589 |
|-------------|------------------|----------------------|----------------|-------------|-----------------|

Configuration

| | | |
|------------------------|------------------|--------|
| Motorconfiguration | RSCR | |
| Power supply (nominal) | 208-230V/60Hz 1~ | |
| Refrigerant | R290 | |
| Application | LBP+MBP | |
| Voltage range | 187-253V | |
| Starting torque | LST | |
| Approvals | UL | SA3693 |
| | CCC | |

Electrical accessories / wiring diagram

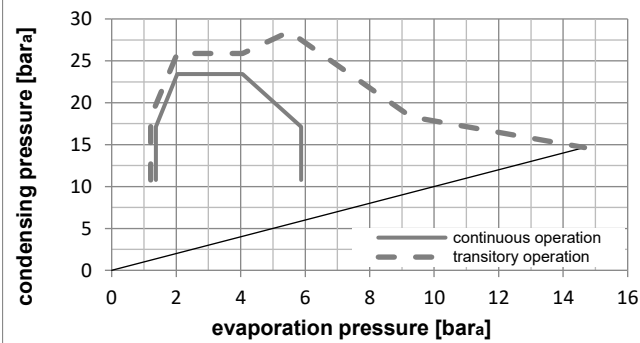
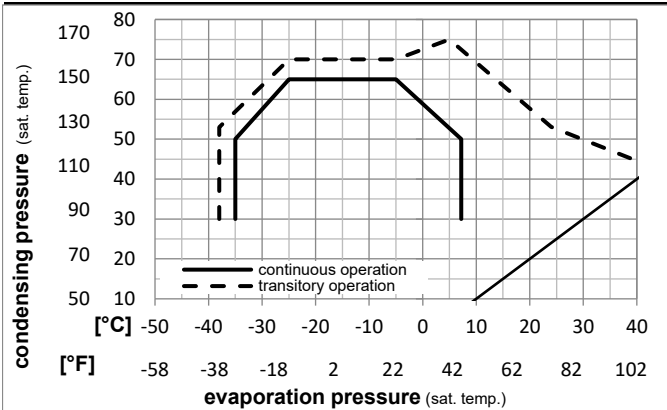


Ambient temperatures / system cooling

| | |
|---------------------------|--------------|
| Ambient temperature min.: | 10°C / 50°F |
| Ambient temperature max.: | 43°C / 110°F |

| System cooling (n/a: outside limits) | | | |
|--------------------------------------|----------|----------|-----|
| T ambient | LBP | MBP | HBP |
| 32°C / 90°F | fan 3m/s | fan 3m/s | n/a |
| 38°C / 100°F | fan 3m/s | fan 3m/s | n/a |
| 43°C / 110°F | fan 3m/s | fan 3m/s | n/a |

Operation pressure range



Components

| | | |
|----|---------------------------------------|----------|
| a1 | e-PTC starter (220V, 250hm, 4.8mm) | 103N0050 |
| e | run capacitor (5μF, 4.8mm) | 117-7129 |
| b | plastic cover | 103N0491 |
| d | cord relief bracket for run capacitor | 103N1010 |
| | screw M4x8mm | 117-0301 |

Model

Designation **DLE4.8CNT** **208-230V/60Hz** Conf. 4 Sales code: **102H3589**

Optimization + standard conditions

R290, 230V/60Hz, RSCR, fan 3m/s, UL, CCC

| | | Evaporating pressure (saturation temperature) | | | | Condensing pressure (saturation temperature) | | | | | | Power consumption | | | |
|------|------|---|------|--------------|------|--|---------|----------|-------|----------|---------------------|-------------------|----------------|--------|-------------|
| | | Return gas temp. | | Liquid temp. | | Cooling capacity | | COP | EER | | Current consumption | | Ref. mass flow | | |
| | | pe | pc | RGT | Tliq | [W] | [Btu/h] | [kcal/h] | [W/W] | [Btu/Wh] | [kcal/Wh] | P1 | I | m | |
| [°C] | [°F] | [°C] | [°F] | [°C] | [°F] | | | | | | | [W] | [A] | [kg/h] | |
| -23 | -10 | 54 | 130 | 32 | 90 | 282,4 | 965 | 243,1 | 1,59 | 5,44 | 1,37 | 177,3 | 1,16 | 2,86 | ASHRAE LBP |
| -25 | -13 | 55 | 131 | 32 | 90 | 212,0 | 724 | 182,4 | 1,23 | 4,21 | 1,06 | 172,1 | 1,15 | 2,64 | cecomaf LBP |
| -35 | -31 | 40 | 104 | 20 | 68 | 160,3 | 548 | 138,0 | 1,20 | 4,11 | 1,04 | 133,3 | 1,08 | 1,83 | EN12900 LBP |
| -7 | 20 | 54 | 130 | 35 | 95 | 502,3 | 1716 | 432,3 | 2,15 | 7,33 | 1,85 | 233,9 | 1,32 | 5,73 | ASHRAE MBP |
| -10 | 14 | 55 | 131 | 32 | 90 | 398,5 | 1361 | 343,0 | 1,78 | 6,08 | 1,53 | 224,0 | 1,29 | 5,04 | cecomaf MBP |
| -10 | 14 | 45 | 113 | 20 | 68 | 443,5 | 1515 | 381,7 | 2,15 | 7,33 | 1,85 | 206,5 | 1,24 | 5,45 | EN12900 MBP |

Performance tables

R290, 230V/60Hz, RSCR, fan 3m/s, UL, CCC

| | pe | | Cooling capacity | | | COP | EER | P1 | I | m | |
|------------------|------|------|------------------|---------|----------|-------|----------|------|-------|------|-----------|
| | [°C] | [°F] | [W] | [Btu/h] | [kcal/h] | [W/W] | [Btu/Wh] | | | | [kcal/Wh] |
| [°C / °F] | -35 | -31 | 153,6 | 524 | 132,2 | 1,13 | 3,87 | 0,98 | 135,5 | 1,08 | 1,72 |
| cond. pressure | -23 | -10 | 267,3 | 913 | 230,0 | 1,58 | 5,40 | 1,36 | 169,0 | 1,14 | 3,02 |
| pc= 45/113 | -15 | 5 | 379,2 | 1295 | 326,3 | 1,96 | 6,70 | 1,69 | 193,2 | 1,20 | 4,31 |
| return gas temp. | -9 | 15 | 471,7 | 1611 | 406,0 | 2,27 | 7,75 | 1,95 | 207,9 | 1,24 | 5,40 |
| RGT= 32/90 | -4 | 25 | 580,9 | 1984 | 499,9 | 2,63 | 8,99 | 2,26 | 220,8 | 1,28 | 6,70 |
| liquid temp | 0 | 32 | 668,2 | 2282 | 575,0 | 2,93 | 10,00 | 2,52 | 228,2 | 1,30 | 7,75 |
| Tliq= 45/113 | 7,2 | 45 | 856,7 | 2926 | 737,3 | 3,61 | 12,31 | 3,10 | 237,6 | 1,33 | 10,07 |
| [°C / °F] | -35 | -31 | 127,3 | 435 | 109,5 | 0,91 | 3,10 | 0,78 | 140,4 | 1,09 | 1,57 |
| cond. pressure | -23 | -10 | 228,7 | 781 | 196,8 | 1,29 | 4,39 | 1,11 | 177,8 | 1,16 | 2,85 |
| pc= 55/131 | -15 | 5 | 326,5 | 1115 | 281,0 | 1,58 | 5,39 | 1,36 | 206,9 | 1,24 | 4,11 |
| return gas temp | -9 | 15 | 407,2 | 1391 | 350,5 | 1,80 | 6,16 | 1,55 | 225,9 | 1,29 | 5,15 |
| RGT= 32/90 | -4 | 25 | 502,6 | 1716 | 432,5 | 2,06 | 7,04 | 1,77 | 243,7 | 1,35 | 6,41 |
| liquid temp | 0 | 32 | 579,1 | 1978 | 498,4 | 2,27 | 7,75 | 1,95 | 255,2 | 1,39 | 7,44 |
| Tliq= 55/131 | 7,2 | 45 | 745,0 | 2544 | 641,1 | 2,73 | 9,32 | 2,35 | 273,0 | 1,45 | 9,71 |

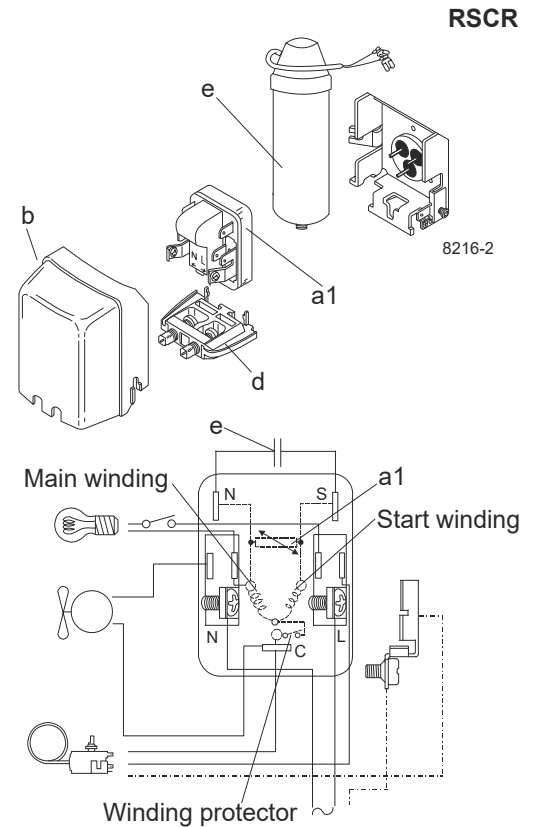
Model

| | | | | | |
|-------------|------------------|----------------------|----------------|-------------|-----------------|
| Designation | DLE4.8CNT | 220-240V/50Hz | Conf. 5 | Sales code: | 102H3589 |
|-------------|------------------|----------------------|----------------|-------------|-----------------|

Configuration

| | | |
|------------------------|------------------|--------|
| Motorconfiguration | RSCR | |
| Power supply (nominal) | 220-240V/50Hz 1~ | |
| Refrigerant | R290 | |
| Application | LBP+MBP | |
| Voltage range | 187-254V | |
| Starting torque | LST | |
| Approvals | UL | SA3693 |
| | CCC | |

Electrical accessories / wiring diagram

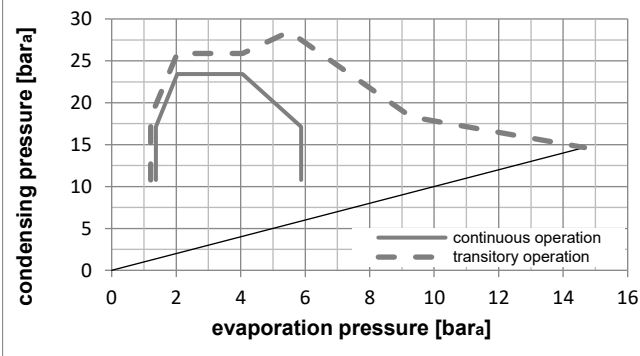
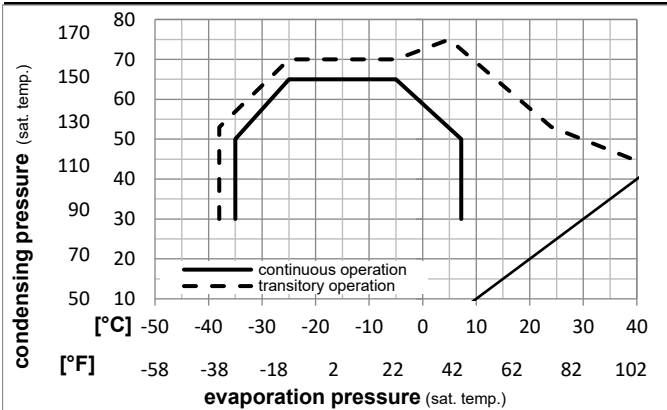


Ambient temperatures / system cooling

| | |
|---------------------------|--------------|
| Ambient temperature min.: | 10°C / 50°F |
| Ambient temperature max.: | 43°C / 110°F |

| System cooling (n/a: outside limits) | | | |
|--------------------------------------|----------|----------|-----|
| T ambient | LBP | MBP | HBP |
| 32°C / 90°F | fan 3m/s | fan 3m/s | n/a |
| 38°C / 100°F | fan 3m/s | fan 3m/s | n/a |
| 43°C / 110°F | fan 3m/s | fan 3m/s | n/a |

Operation pressure range



Components

| | | |
|----|---------------------------------------|----------|
| a1 | e-PTC starter (220V, 250hm, 4.8mm) | 103N0050 |
| e | run capacitor (5μF, 4.8mm) | 117-7129 |
| b | plastic cover | 103N0491 |
| d | cord relief bracket for run capacitor | 103N1010 |
| | screw M4x8mm | 117-0301 |

Model

Designation **DLE4.8CNT** **220-240V/50Hz** Conf. 5 Sales code: **102H3589**

Optimization + standard conditions

R290, 220V/50Hz, RSCR, fan 3m/s, UL, CCC

| | | Evaporating pressure (saturation temperature) | | | | Condensing pressure (saturation temperature) | | | | | | Power consumption | | | | | |
|------|------|---|------|--------------|------|--|---------|----------|-------|----------|-----------|-------------------|----------------|--------|------|------|-------------|
| | | Return gas temp. | | Liquid temp. | | Cooling capacity | | COP | EER | | P1 | I | Ref. mass flow | | | | |
| | | pe | pc | RGT | Tliq | [W] | [Btu/h] | [kcal/h] | [W/W] | [Btu/Wh] | [kcal/Wh] | [W] | [A] | [kg/h] | | | |
| [°C] | [°F] | [°C] | [°F] | [°C] | [°F] | | | | | | | | | | | | |
| -23 | -10 | 54 | 130 | 32 | 90 | 32 | 90 | 232,0 | 792 | 199,7 | 1,41 | 4,82 | 1,21 | 164,4 | 1,35 | 2,35 | ASHRAE LBP |
| -25 | -13 | 55 | 131 | 32 | 90 | 55 | 131 | 174,0 | 594 | 149,7 | 1,09 | 3,71 | 0,93 | 160,3 | 1,34 | 2,17 | cecomaf LBP |
| -35 | -31 | 40 | 104 | 20 | 68 | 40 | 104 | 132,5 | 453 | 114,0 | 1,06 | 3,61 | 0,91 | 125,3 | 1,26 | 1,51 | EN12900 LBP |
| -7 | 20 | 54 | 130 | 35 | 95 | 46 | 115 | 417,8 | 1427 | 359,6 | 2,01 | 6,87 | 1,73 | 207,8 | 1,48 | 4,77 | ASHRAE MBP |
| -10 | 14 | 55 | 131 | 32 | 90 | 55 | 131 | 330,6 | 1129 | 284,5 | 1,65 | 5,63 | 1,42 | 200,5 | 1,45 | 4,18 | cecomaf MBP |
| -10 | 14 | 45 | 113 | 20 | 68 | 45 | 113 | 367,9 | 1257 | 316,7 | 1,99 | 6,79 | 1,71 | 185,1 | 1,40 | 4,52 | EN12900 MBP |

Performance tables

R290, 220V/50Hz, RSCR, fan 3m/s, UL, CCC

| | pe | | Cooling capacity | | | COP | EER | P1 | I | m | |
|------------------|------|------|------------------|---------|----------|-------|----------|------|-------|------|-----------|
| | [°C] | [°F] | [W] | [Btu/h] | [kcal/h] | [W/W] | [Btu/Wh] | | | | [kcal/Wh] |
| [°C / °F] | -35 | -31 | 127,0 | 434 | 109,3 | 1,00 | 3,40 | 0,86 | 127,4 | 1,26 | 1,42 |
| cond. pressure | -23 | -10 | 219,6 | 750 | 188,9 | 1,40 | 4,78 | 1,20 | 156,9 | 1,33 | 2,48 |
| pc= 45/113 | -15 | 5 | 313,3 | 1070 | 269,6 | 1,79 | 6,10 | 1,54 | 175,3 | 1,37 | 3,56 |
| return gas temp. | -9 | 15 | 391,5 | 1337 | 336,9 | 2,10 | 7,18 | 1,81 | 186,1 | 1,40 | 4,48 |
| RGT= 32/90 | -4 | 25 | 484,2 | 1654 | 416,7 | 2,48 | 8,46 | 2,13 | 195,5 | 1,43 | 5,58 |
| liquid temp | 0 | 32 | 558,4 | 1907 | 480,6 | 2,78 | 9,48 | 2,39 | 201,2 | 1,45 | 6,48 |
| Tliq= 45/113 | 7,2 | 45 | 719,0 | 2455 | 618,8 | 3,43 | 11,71 | 2,95 | 209,7 | 1,49 | 8,45 |
| [°C / °F] | -35 | -31 | 105,3 | 360 | 90,6 | 0,80 | 2,73 | 0,69 | 131,9 | 1,27 | 1,30 |
| cond. pressure | -23 | -10 | 187,8 | 641 | 161,6 | 1,14 | 3,89 | 0,98 | 164,9 | 1,35 | 2,34 |
| pc= 55/131 | -15 | 5 | 269,7 | 921 | 232,1 | 1,44 | 4,91 | 1,24 | 187,5 | 1,41 | 3,39 |
| return gas temp | -9 | 15 | 338,0 | 1154 | 290,9 | 1,67 | 5,72 | 1,44 | 201,9 | 1,46 | 4,28 |
| RGT= 32/90 | -4 | 25 | 418,9 | 1431 | 360,5 | 1,94 | 6,64 | 1,67 | 215,5 | 1,50 | 5,35 |
| liquid temp | 0 | 32 | 484,0 | 1653 | 416,5 | 2,15 | 7,36 | 1,85 | 224,6 | 1,54 | 6,22 |
| Tliq= 55/131 | 7,2 | 45 | 625,1 | 2135 | 538,0 | 2,60 | 8,89 | 2,24 | 240,2 | 1,61 | 8,14 |