

## Single Pack SC15G 220-240V 50Hz / 208-230V 60Hz CSIR

Single pack code number: **195B4017**

Position	Title	Code	Amount
1	Compressor SC15G	104G8520	1
2	Starting relay	117U6005	1
3	Starting capacitor (80 $\mu$ F 220V, 6.3mm)	117U5017	1
4	Cord relief	103N1004	1
5	Cover	103N2009	1
6	Bolt joint for one compressor   M6   $\varnothing$ 16mm	118-1917	1

Secop GmbH • Lise-Meitner-Straße 29 • 24941 Flensburg, Germany • Tel: +49 461 4941 0 • [www.secop.com](http://www.secop.com)

Secop accepts no responsibility for possible errors in catalogs, brochures, and other printed material. Secop reserves the right to alter its products without notice. This also applies to products already on order provided that such alterations can be made without subsequent changes being necessary to specifications already agreed. All trademarks in this material are the property of the respective companies. Secop and the Secop logotype are trademarks of Secop GmbH. All rights reserved.

## Model

Designation	<b>SC15G</b>	220-240V/50Hz 1~ 208-230V/60Hz 1~	Sales code:	<b>104G8520</b>
-------------	--------------	-----------------------------------	-------------	-----------------

## Compressor design

Oil type	Polyolester	Refrigerant(s)	<b>R134a, R513A</b>
Oil viscosity	22cST	Displacement	15,28cm <sup>3</sup> / 0,93cu.in
Oil quantity	507cm <sup>3</sup> / 17,1fl.oz	Compressors on pallet	80
Refr. charge - tech. limit	1300g / 45,9oz		
Free gas volume comp.	1410cm <sup>3</sup> / 47,7fl.oz		
Weight	13,2kg / 29,1lbs		
Motor protection	1# internal		
Winding resistance main	5,13Ω (at 25°C)		
Winding resistance aux	13,51Ω (at 25°C)		
Max. winding temp.	125°C / 257°F		
Max. discharge temp.	130°C / 266°F		



## General - Configurations with SC15G

	<b>Conf. 1</b>	<b>Conf. 2</b>	<b>Conf. 3</b>	<b>Conf. 4</b>
Motorconfiguration	CSIR	CSIR	CSIR	CSIR
Power supply (nominal)	220-240V/50Hz	208-230V/60Hz	220-240V/50Hz	208-230V/60Hz
Number of phases	1	1	1	1
Voltage range	187-254V	198-254V	187-254V	198-254V
Approvals	VDE, CCC, EAC, KC	VDE, CCC, EAC, KC	VDE, CCC, UL	VDE, CCC, UL
Starting torque	HST	HST	HST	HST
Note	- / -			

## Applications with SC15G

	<b>Conf. 1</b>	<b>Conf. 2</b>	<b>Conf. 3</b>	<b>Conf. 4</b>
Refrigerant	R134a	R134a	R513A	R513A
Application	LBP+MBP+HBP	LBP	LBP+MBP+HBP	LBP
System cooling	fan 3m/s	fan 3m/s	fan 3m/s	fan 3m/s
Hot gas defrost	OK	OK	OK	OK
Long interval pull down	OK	OK	OK	OK

## Electrical data - Configurations with SC15G

	<b>Conf. 1</b>	<b>Conf. 2</b>	<b>Conf. 3</b>	<b>Conf. 4</b>
Starting device type	relay	relay	relay	relay
Run capacitor	- / -	- / -	- / -	- / -
Start capacitor	80μF	80μF	80μF	80μF
LRA (locked rotor amps / 4s)	16,2A	15,6A	16,2A	15,6A
RLA (rated load amps / 1s)	3,1A	2,8A	3,1A	2,8A
Cut in current	16,2A	15,6A	16,2A	15,6A

## Model

Designation

**SC15G**

220-240V/50Hz 1~ 208-230V/60Hz 1~

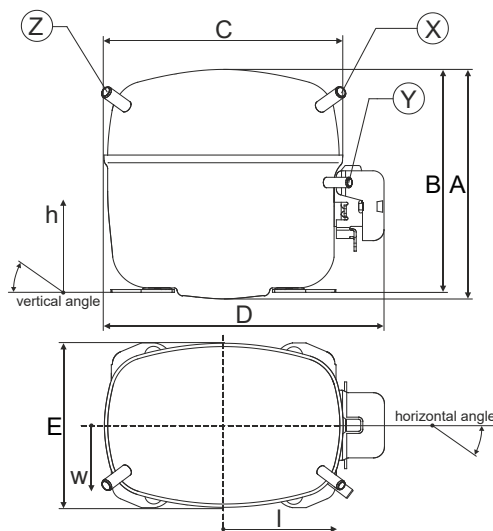
Sales code:

**104G8520**

## Compressor dimensions

Housing	A Height	209mm / 8,23in
	B Height	203mm / 7,99in
	C Length shell	218mm / 8,58in
	D Length w. cover	255mm / 10,04in
	E Width	151mm / 5,94in

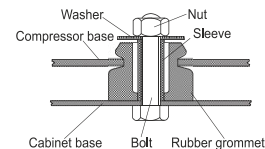
Connectors	Suction X	Discharge Y	Process Z
Diameter [mm]	øi 10,11-10,29	øi 6,11-6,29	øi 6,11-6,29
(i:inside, o:outside) [in]	øi 0,4-0,41	øi 0,24-0,25	øi 0,24-0,25
Material	copper	copper	copper
Horizontal angle ±2°	37°	37°	143°
Vertical angle ±2°	30°	0°	150°
Position l/h/w [mm]	107/183/55	115/100/63	-107/183/55
[in]	4,2/7,2/2,2	4,5/3,9/2,5	-4,2/7,2/2,2
Straight tube l. [mm]	12	12	12
[in]	0,5	0,5	0,5



## Compressor fixation



### Bolt joint



### Snap-on



## Mounting accessories

Mounting accessories	one comp.	multi pack
Bolt joint   M6   ø16mm	118-1917	118-1918
Bolt joint   ø1/4"   ø16mm	118-1946	
Bolt joint   ø1/4"   ø19mm	118-1949	
Snap-on   ø7,3   ø16mm	118-1947	118-1919

## Application notes

Operation possible until tilted up to 3 degrees

Provision for PE Grounding is located at the PE Stamp on the compressor

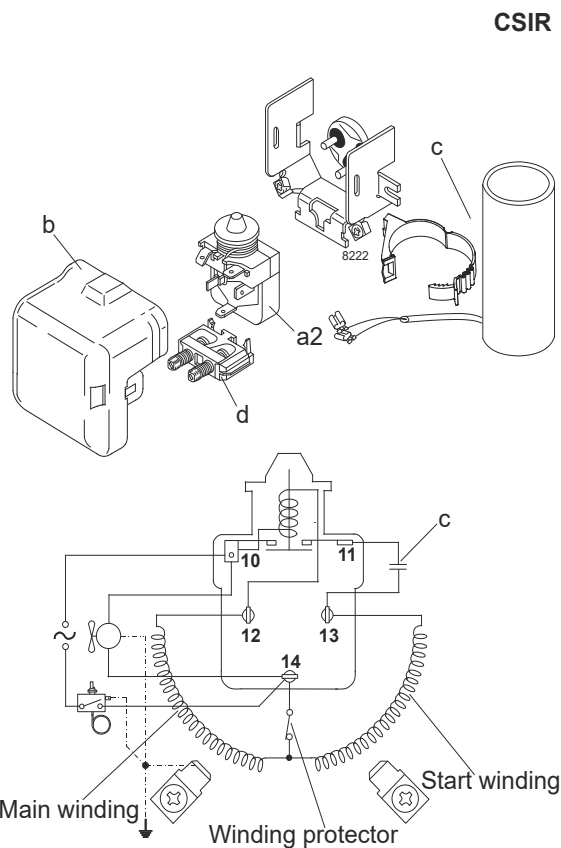
## Model

Designation	<b>SC15G</b>	<b>220-240V/50Hz</b>	<b>Conf. 1</b>	Sales code:	<b>104G8520</b>
-------------	--------------	----------------------	----------------	-------------	-----------------

## Configuration

Motorconfiguration	CSIR
Power supply (nominal)	220-240V/50Hz 1~
Refrigerant	R134a
Application	LBP+MBP+HBP
Voltage range	187-254V
Starting torque	HST
Approvals	VDE CCC EAC KC

## Electrical accessories / wiring diagram

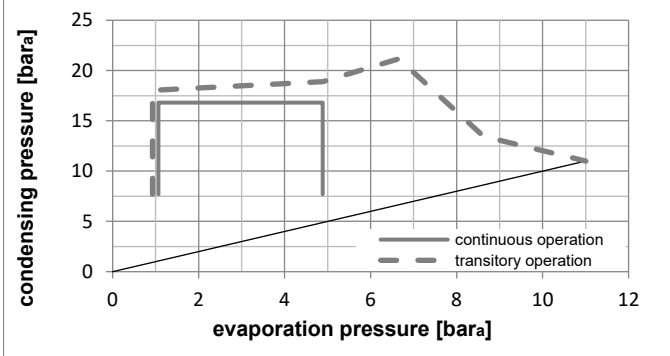
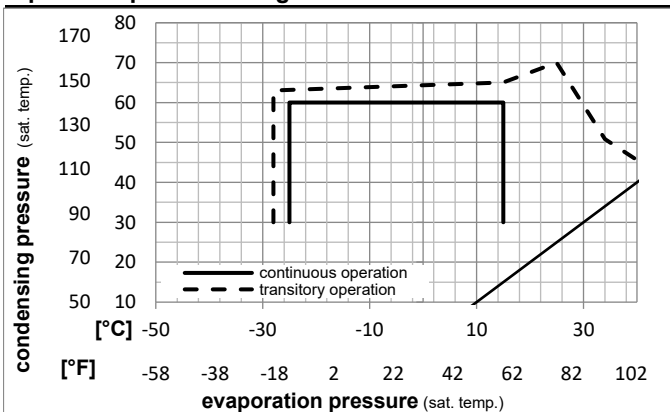


## Ambient/ machine room temperatures minimum /maximum

Ambient temperature range:	10 - 43°C / 50 - 110°F
Machine room temperature range:	10 - 48°C / 50 - 119°F
Compressor cooling:	fan 3m/s

## Operation Limits

### Operation pressure range



### Components

a2	relay	117U6005
c	start capacitor (80μF)	117U5017
d	cord relief	103N1004
b	plastic cover	103N2009

## Model

Designation	<b>SC15G</b>	<b>220-240V/50Hz</b>	<b>Conf. 1</b>	Sales code:	<b>104G8520</b>
-------------	--------------	----------------------	----------------	-------------	-----------------

## Optimization + standard conditions

R134a, 220V/50Hz, CSIR, fan 3m/s, VDE, CCC, EAC, KC

		Evaporating pressure (saturation temperature)				Condensing pressure (saturation temperature)			Return gas temp.			Liquid temp.			Cooling capacity			COP	EER	Power consumption			
		pe	pc	RGT	Tliq	[W]	[Btu/h]	[kcal/h]	[W/W]	[Btu/Wh]	[kcal/Wh]	P1	I	Ref. mass flow									
[°C]	[°F]											[W]	[A]	[kg/h]									
-23	-10	54	130	32	90	303,8	1037	261,4	1,10	3,76	0,95	275,6	2,27	5,90									ASHRAE LBP
-25	-13	55	131	32	90	214,0	731	184,2	0,83	2,83	0,71	257,9	2,21	5,12									cecomaf LBP
-35	-31	40	104	20	68	141,4	483	121,7	0,76	2,61	0,66	185,0	1,95	3,10									EN12900 LBP
-7	20	54	130	35	95	742,4	2535	638,9	1,57	5,35	1,35	474,1	2,91	16,20									ASHRAE MBP
-10	14	55	131	32	90	566,0	1933	487,1	1,30	4,43	1,12	436,2	2,78	13,69									cecomaf MBP
-10	14	45	113	20	68	644,4	2201	554,6	1,58	5,41	1,36	407,1	2,66	15,08									EN12900 MBP

## Performance tables

R134a, 220V/50Hz, CSIR, fan 3m/s, VDE, CCC, EAC, KC

	pe		Cooling capacity			COP	EER	P1	I	m	
	[°C]	[°F]	[W]	[Btu/h]	[kcal/h]	[W/W]	[Btu/Wh]	[kcal/Wh]	[W]	[A]	[kg/h]
[°C / °F]	-25	-13	271,8	928	233,9	1,08	3,70	0,93	250,9	2,19	5,89
cond. pressure	-20	-4	380,2	1299	327,2	1,27	4,34	1,09	299,3	2,34	8,26
pc= 45/113	-10	14	668,5	2283	575,3	1,64	5,61	1,41	407,1	2,66	14,63
return gas temp.	-5	23	850,8	2906	732,2	1,84	6,30	1,59	461,2	2,83	18,71
RGT= 32/90	0	32	1060,1	3620	912,3	2,07	7,07	1,78	511,9	3,01	23,44
liquid temp	5	41	1297,5	4431	1116,7	2,33	7,96	2,01	556,4	3,19	28,89
Tliq= 45/113	15	59	1861,9	6359	1602,4	3,02	10,32	2,60	616,3	3,59	42,17
[°C / °F]	-25	-13	214,0	731	184,2	0,83	2,83	0,71	257,9	2,21	5,12
cond. pressure	-20	-4	311,8	1065	268,4	0,99	3,38	0,85	314,8	2,40	7,48
pc= 55/131	-10	14	566,0	1933	487,1	1,30	4,43	1,12	436,2	2,78	13,69
return gas temp	-5	23	724,9	2476	623,8	1,46	5,00	1,26	495,4	2,99	17,62
RGT= 32/90	0	32	906,4	3096	780,1	1,65	5,63	1,42	550,0	3,20	22,17
liquid temp	5	41	1111,9	3797	956,9	1,86	6,36	1,60	597,2	3,42	27,40
Tliq= 55/131	15	59	1599,5	5463	1376,6	2,43	8,29	2,09	659,0	3,88	40,18

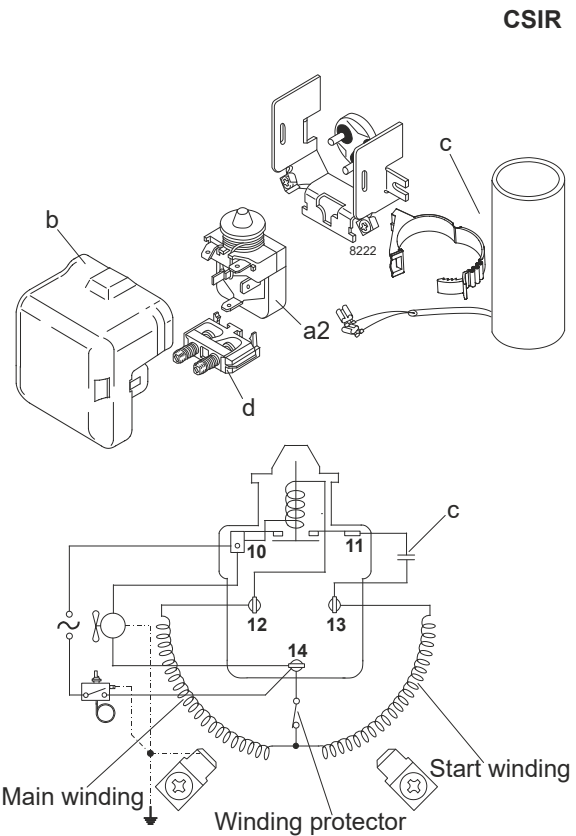
## Model

Designation	<b>SC15G</b>	<b>208-230V/60Hz</b>	<b>Conf. 2</b>	Sales code:	<b>104G8520</b>
-------------	--------------	----------------------	----------------	-------------	-----------------

## Configuration

Motorconfiguration	CSIR
Power supply (nominal)	208-230V/60Hz 1~
Refrigerant	R134a
Application	LBP
Voltage range	198-254V
Starting torque	HST
Approvals	VDE CCC EAC KC

## Electrical accessories / wiring diagram

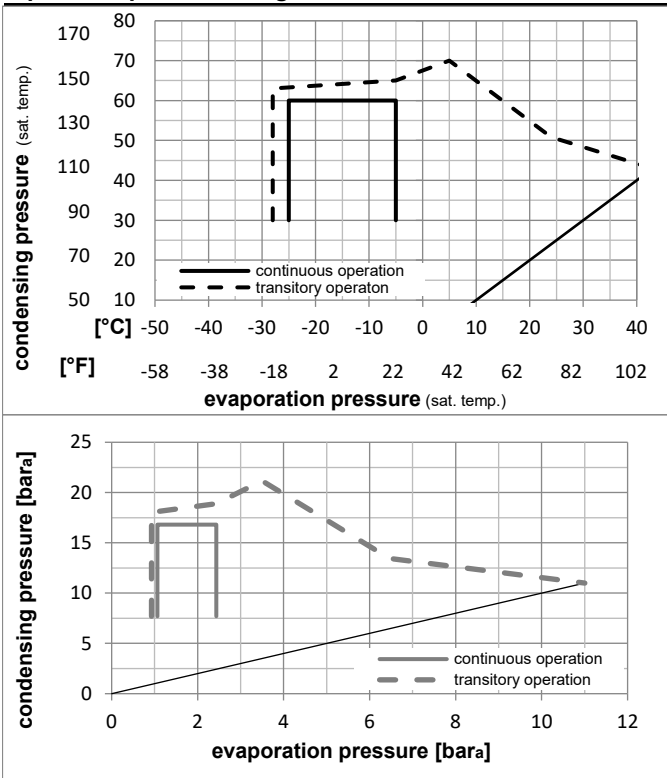


## Ambient/ machine room temperatures minimum /maximum

Ambient temperature range:	10 - 43°C / 50 - 110°F
Machine room temperature range:	10 - 48°C / 50 - 119°F
Compressor cooling:	fan 3m/s

## Operation Limits

## Operation pressure range



## Components

a2	relay	117U6005
c	start capacitor (80μF)	117U5017
d	cord relief	103N1004
b	plastic cover	103N2009

## Model

Designation **SC15G** **208-230V/60Hz** Conf. 2 Sales code: **104G8520**

## Optimization + standard conditions

R134a, 230V/60Hz, CSIR, fan 3m/s, VDE, CCC, EAC, KC

		Evaporating pressure (saturation temperature)				Condensing pressure (saturation temperature)			Return gas temp.			Liquid temp.			Cooling capacity			COP	EER	Power consumption			
		pe	pc	RGT	Tliq	[W]	[Btu/h]	[kcal/h]	[W/W]	[Btu/Wh]	[kcal/Wh]	P1	I	m	[W]	[A]	[kg/h]						
[°C]	[°F]	[°C]	[°F]	[°C]	[°F]																		
-23	-10	54	130	32	90	370,0	1264	318,4	1,07	3,64	0,92	347,0	2,03	7,18							ASHRAE LBP		
-25	-13	55	131	32	90	262,0	895	225,5	0,79	2,71	0,68	330,2	1,99	6,27							cecomaf LBP		
-35	-31	40	104	20	68	167,8	573	144,4	0,94	3,22	0,81	177,9	1,56	3,68							EN12900 LBP		
-7	20	54	130	35	95	884,5	3021	761,2	1,64	5,59	1,41	540,7	2,73	19,30							ASHRAE MBP		
-10	14	55	131	32	90	677,1	2312	582,7	1,34	4,57	1,15	505,6	2,59	16,37							cecomaf MBP		
-10	14	45	113	20	68	784,8	2680	675,4	1,69	5,76	1,45	465,6	2,47	18,37							EN12900 MBP		

## Performance tables

R134a, 230V/60Hz, CSIR, fan 3m/s, VDE, CCC, EAC, KC

	pe		Cooling capacity			COP	EER		P1	I	m
	[°C]	[°F]	[W]	[Btu/h]	[kcal/h]	[W/W]	[Btu/Wh]	[kcal/Wh]	[W]	[A]	[kg/h]
[°C / °F]	-25	-13	346,8	1184	298,5	1,15	3,94	0,99	300,8	1,90	7,51
cond. pressure	-23	-10	389,3	1330	335,1	1,22	4,16	1,05	319,8	1,96	8,44
pc= 45/113	-20	-4	479,5	1638	412,7	1,34	4,59	1,16	356,7	2,08	10,42
return gas temp.	-18	0	545,3	1862	469,3	1,43	4,89	1,23	381,1	2,17	11,86
RGT= 32/90	-15	5	635,4	2170	546,9	1,54	5,27	1,33	411,9	2,27	13,85
liquid temp	-10	14	814,2	2781	700,7	1,75	5,97	1,51	465,6	2,47	17,82
Tliq= 45/113	-5	23	1015,5	3468	874,0	1,97	6,71	1,69	516,6	2,67	22,33
[°C / °F]	-25	-13	262,0	895	225,5	0,79	2,71	0,68	330,2	1,99	6,27
cond. pressure	-23	-10	298,2	1018	256,6	0,85	2,91	0,73	349,7	2,05	7,14
pc= 55/131	-20	-4	376,5	1286	324,0	0,97	3,31	0,83	388,0	2,17	9,03
return gas temp	-18	0	434,4	1484	373,9	1,05	3,59	0,90	413,8	2,25	10,44
RGT= 32/90	-15	5	514,9	1759	443,1	1,15	3,94	0,99	446,8	2,37	12,40
liquid temp	-10	14	677,1	2312	582,7	1,34	4,57	1,15	505,6	2,59	16,37
Tliq= 55/131	-5	23	862,5	2946	742,3	1,53	5,23	1,32	563,3	2,82	20,97

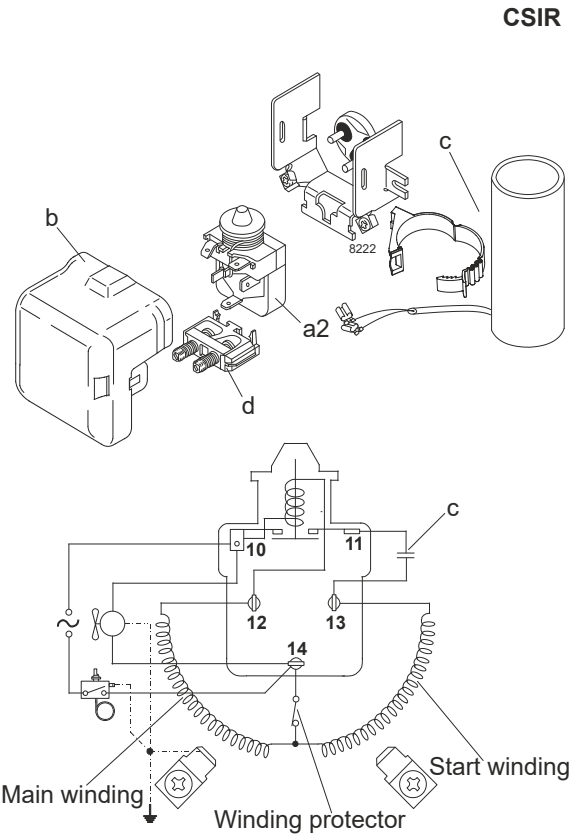
## Model

Designation	<b>SC15G</b>	<b>220-240V/50Hz</b>	<b>Conf. 3</b>	Sales code:	<b>104G8520</b>
-------------	--------------	----------------------	----------------	-------------	-----------------

## Configuration

Motorconfiguration	CSIR
Power supply (nominal)	220-240V/50Hz 1~
Refrigerant	R513A
Application	LBP+MBP+HBP
Voltage range	187-254V
Starting torque	HST
Approvals	VDE CCC UL

## Electrical accessories / wiring diagram

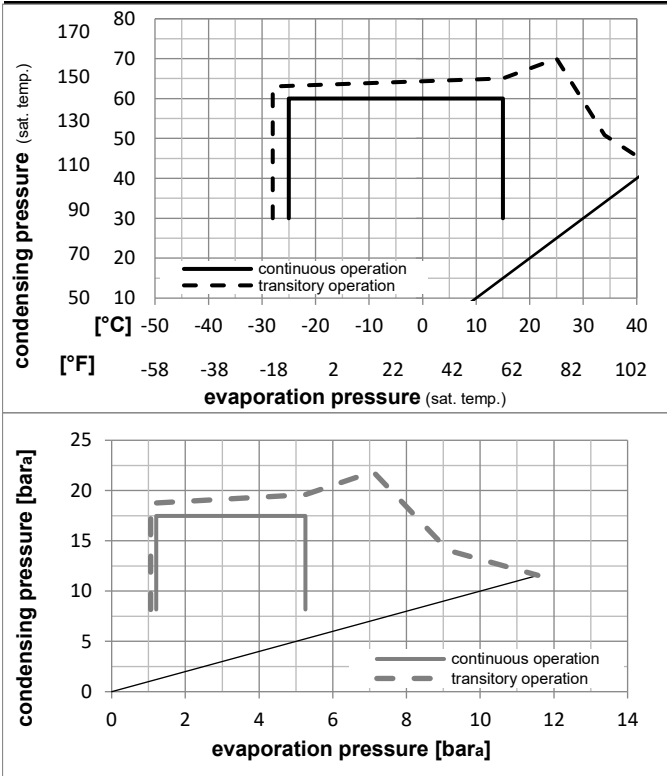


## Ambient/ machine room temperatures minimum /maximum

Ambient temperature range:	10 - 43°C / 50 - 110°F
Machine room temperature range:	10 - 48°C / 50 - 119°F
Compressor cooling:	fan 3m/s

## Operation Limits

## Operation pressure range



## Components

a2	relay	117U6005
c	start capacitor (80μF)	117U5017
d	cord relief	103N1004
b	plastic cover	103N2009



### Model

Designation **SC15G** **220-240V/50Hz** Conf. 3 Sales code: **104G8520**

### Optimization + standard conditions

R513A, 220V/50Hz, CSIR, fan 3m/s, VDE, CCC, UL

		Evaporating pressure (saturation temperature)				Condensing pressure (saturation temperature)				Power consumption					
		Return gas temp.		Liquid temp.		Cooling capacity		COP	EER	P1		Current consumption	Ref. mass flow		
		pe	pc	RGT	Tliq	[W]	[Btu/h]	[kcal/h]	[W/W]	[Btu/Wh]	[kcal/Wh]	[W]	[A]	[kg/h]	
[°C]	[°F]	[°C]	[°F]	[°C]	[°F]										
-23	-10	54	130	32	90	338,2	1155	291,1	1,13	3,87	0,98	298,2	2,70	7,28	ASHRAE LBP
-25	-13	55	131	32	90	232,3	793	199,9	0,83	2,84	0,71	279,8	2,67	6,36	cecomaf LBP
-35	-31	40	104	20	68	158,9	543	136,8	0,80	2,72	0,69	199,3	2,60	3,93	EN12900 LBP
-7	20	54	130	35	95	780,5	2666	671,7	1,55	5,30	1,34	502,5	3,26	19,12	ASHRAE MBP
-10	14	55	131	32	90	588,4	2010	506,4	1,27	4,33	1,09	464,2	3,14	16,27	cecomaf MBP
-10	14	45	113	20	68	674,4	2303	580,4	1,56	5,33	1,34	431,8	3,04	17,87	EN12900 MBP

### Performance tables

R513A, 220V/50Hz, CSIR, fan 3m/s, VDE, CCC, UL

	pe		Cooling capacity			COP	EER	P1			l	m
	[°C]	[°F]	[W]	[Btu/h]	[kcal/h]	[W/W]	[Btu/Wh]	[kcal/Wh]	[W]	[A]	[kg/h]	
[°C / °F]	-25	-13	297,5	1016	256,0	1,10	3,76	0,95	270,0	2,65	7,25	
cond. pressure	-20	-4	410,1	1401	353,0	1,28	4,37	1,10	320,5	2,75	10,02	
pc= 45/113	-10	14	705,2	2408	606,9	1,63	5,58	1,41	431,8	3,04	17,34	
return gas temp.	-5	23	889,6	3038	765,6	1,83	6,24	1,57	487,0	3,21	21,96	
RGT= 32/90	0	32	1100,0	3757	946,7	2,04	6,98	1,76	538,1	3,38	27,28	
liquid temp	5	41	1337,3	4567	1150,9	2,30	7,84	1,98	582,3	3,54	33,35	
Tliq= 45/113	15	59	1896,6	6477	1632,2	2,97	10,14	2,56	638,6	3,76	47,98	
[°C / °F]	-25	-13	232,3	793	199,9	0,83	2,84	0,71	279,8	2,67	6,36	
cond. pressure	-20	-4	332,4	1135	286,1	0,98	3,35	0,84	339,1	2,80	9,13	
pc= 55/131	-10	14	588,4	2010	506,4	1,27	4,33	1,09	464,2	3,14	16,27	
return gas temp	-5	23	746,4	2549	642,4	1,42	4,86	1,23	524,3	3,34	20,73	
RGT= 32/90	0	32	925,6	3161	796,6	1,60	5,46	1,38	579,0	3,52	25,85	
liquid temp	5	41	1127,2	3849	970,1	1,80	6,16	1,55	625,4	3,70	31,68	
Tliq= 55/131	15	59	1601,0	5468	1377,8	2,35	8,02	2,02	682,2	3,95	45,72	

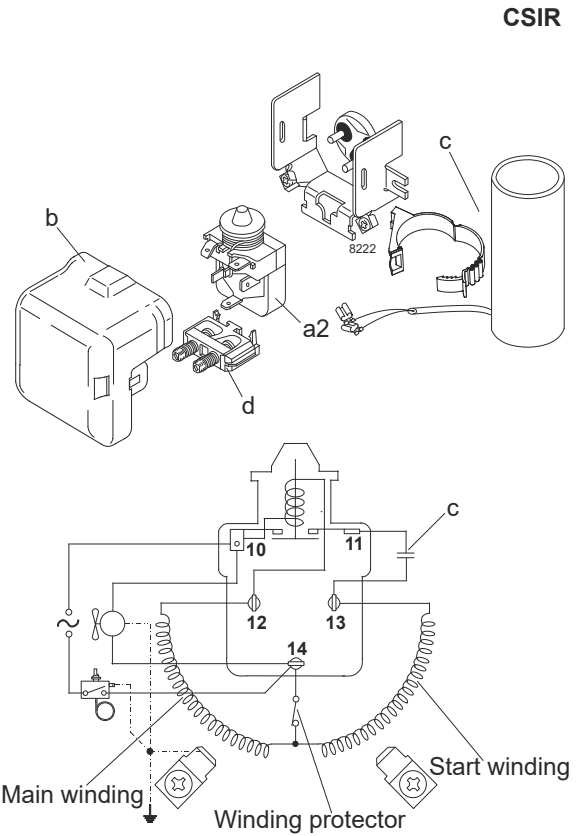
## Model

Designation	<b>SC15G</b>	<b>208-230V/60Hz</b>	<b>Conf. 4</b>	Sales code:	<b>104G8520</b>
-------------	--------------	----------------------	----------------	-------------	-----------------

## Configuration

Motorconfiguration	CSIR
Power supply (nominal)	208-230V/60Hz 1~
Refrigerant	R513A
Application	LBP
Voltage range	198-254V
Starting torque	HST
Approvals	VDE CCC UL

## Electrical accessories / wiring diagram

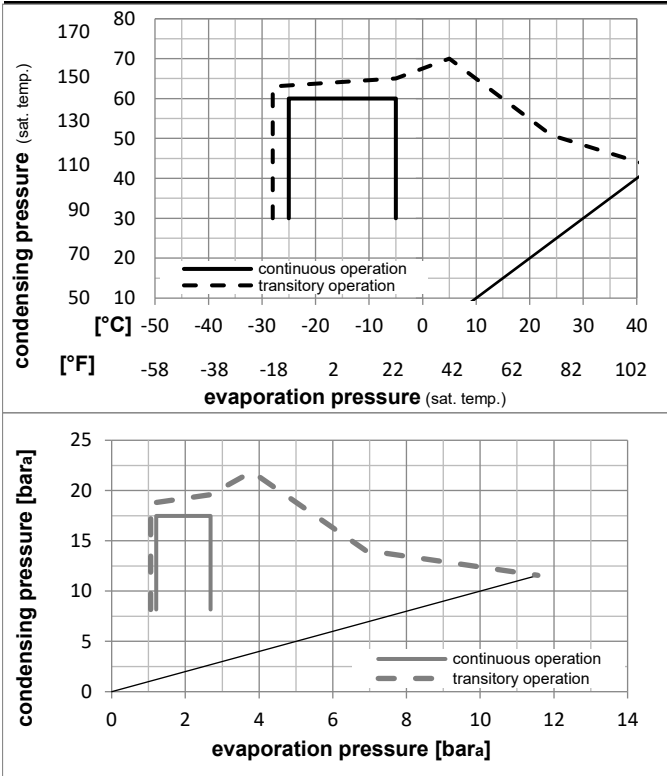


## Ambient/ machine room temperatures minimum /maximum

Ambient temperature range:	10 - 43°C / 50 - 110°F
Machine room temperature range:	10 - 48°C / 50 - 119°F
Compressor cooling:	fan 3m/s

## Operation Limits

## Operation pressure range



## Components

a2	relay	117U6005
c	start capacitor (80μF)	117U5017
d	cord relief	103N1004
b	plastic cover	103N2009

### Model

Designation **SC15G** **208-230V/60Hz** Conf. 4 Sales code: **104G8520**

### Optimization + standard conditions

R513A, 230V/60Hz, CSIR, fan 3m/s, VDE, CCC, UL

		Evaporating pressure (saturation temperature)				Condensing pressure (saturation temperature)					Power consumption				
		Return gas temp.			Liquid temp.		Cooling capacity			COP	EER	Current consumption		Ref. mass flow	
		pe	pc	RGT	Tliq	[W]	[Btu/h]	[kcal/h]	[W/W]	[Btu/Wh]	[kcal/Wh]	P1	I	m	
[°C]	[°F]	[°C]	[°F]	[°C]	[°C]							[W]	[A]	[kg/h]	
-23	-10	54	130	32	90	411,6	1406	354,2	1,07	3,67	0,92	383,1	2,19	8,86	ASHRAE LBP
-25	-13	55	131	32	90	284,0	970	244,4	0,77	2,65	0,67	366,7	2,13	7,78	cecomaf LBP
-35	-31	40	104	20	68	187,8	641	161,6	0,94	3,21	0,81	199,6	1,47	4,65	EN12900 LBP
-7	20	54	130	35	95	928,2	3170	798,8	1,61	5,49	1,38	577,4	2,95	22,74	ASHRAE MBP
-10	14	55	131	32	90	702,6	2400	604,7	1,29	4,42	1,11	542,7	2,81	19,43	cecomaf MBP
-10	14	45	113	20	68	820,4	2802	706,0	1,65	5,63	1,42	497,9	2,64	21,74	EN12900 MBP

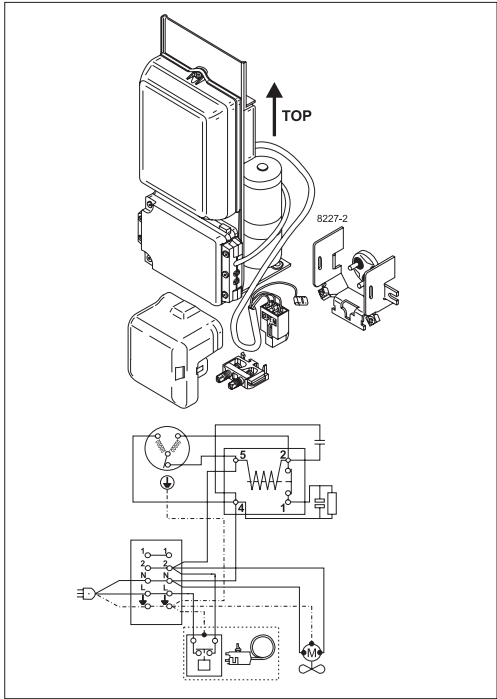
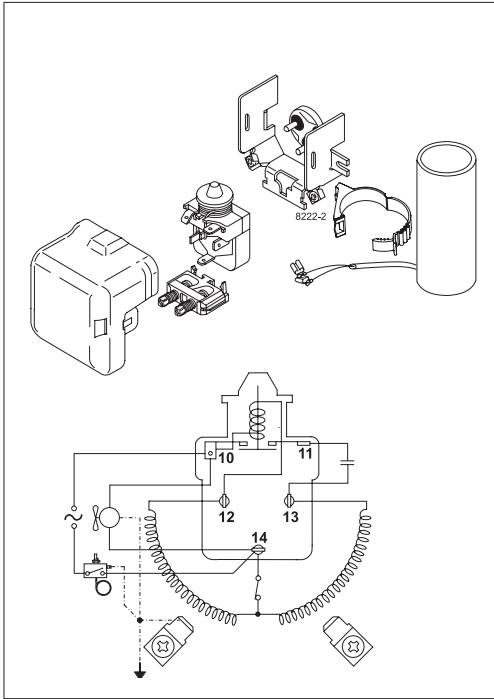
### Performance tables

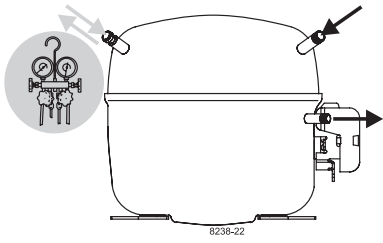
R513A, 230V/60Hz, CSIR, fan 3m/s, VDE, CCC, UL

	pe		Cooling capacity			COP	EER	P1			I	m
	[°C]	[°F]	[W]	[Btu/h]	[kcal/h]	[W/W]	[Btu/Wh]	[kcal/Wh]	[W]	[A]	[kg/h]	
[°C / °F]	-25	-13	378,7	1293	325,9	1,15	3,92	0,99	330,2	1,98	9,23	
cond. pressure	-23	-10	423,0	1445	364,1	1,21	4,13	1,04	349,7	2,06	10,32	
pc= 45/113	-20	-4	516,5	1764	444,5	1,33	4,55	1,15	387,4	2,21	12,62	
return gas temp.	-18	0	584,1	1995	502,7	1,42	4,84	1,22	412,4	2,30	14,29	
RGT= 32/90	-15	5	676,3	2310	582,1	1,52	5,21	1,31	443,7	2,43	16,57	
liquid temp	-10	14	857,8	2930	738,3	1,72	5,88	1,48	497,9	2,64	21,09	
Tliq= 45/113	-5	23	1060,6	3622	912,7	1,93	6,60	1,66	549,1	2,84	26,18	
[°C / °F]	-25	-13	284,0	970	244,4	0,77	2,65	0,67	366,7	2,13	7,78	
cond. pressure	-23	-10	321,2	1097	276,4	0,83	2,84	0,72	386,3	2,20	8,80	
pc= 55/131	-20	-4	401,0	1369	345,1	0,94	3,22	0,81	424,9	2,35	11,01	
return gas temp	-18	0	459,7	1570	395,6	1,02	3,48	0,88	450,8	2,45	12,64	
RGT= 32/90	-15	5	540,7	1847	465,3	1,12	3,82	0,96	483,9	2,58	14,89	
liquid temp	-10	14	702,6	2400	604,7	1,29	4,42	1,11	542,7	2,81	19,43	
Tliq= 55/131	-5	23	886,4	3027	762,8	1,48	5,04	1,27	600,3	3,04	24,62	



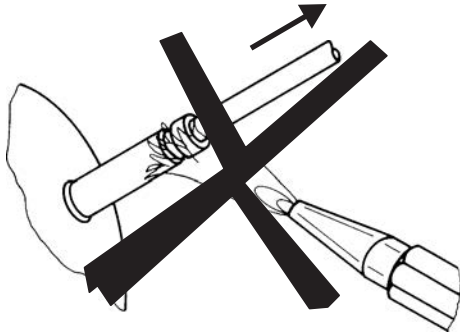
# SC Compressors





# SC Compressors

## Service/Repair – R290



8545



Secop accepts no responsibility for possible errors in catalogs, brochures, and other printed material. Secop reserves the right to alter its products without notice. This also applies to products already on order provided that such alterations can be made without subsequent changes being necessary to specifications already agreed. All trademarks in this material are the property of the respective companies. Secop and the Secop logotype are trademarks of Secop GmbH. All rights reserved. [www.secop.com](http://www.secop.com)