

Single Pack NF6FK 115-127V 60Hz CSIR

Single pack code number: **195B4063**

Position	Title	Code	Amount
1	Compressor NF6FK	105G5645	1
2	Bolt joint for one compressor M6 ø16mm	118-1917	1

Secop GmbH • Lise-Meitner-Straße 29 • 24941 Flensburg, Germany • Tel: +49 461 4941 0 • www.secop.com

Secop accepts no responsibility for possible errors in catalogs, brochures, and other printed material. Secop reserves the right to alter its products without notice. This also applies to products already on order provided that such alterations can be made without subsequent changes being necessary to specifications already agreed. All trademarks in this material are the property of the respective companies. Secop and the Secop logotype are trademarks of Secop GmbH. All rights reserved.

NF6FK Standard Compressor R134a 115-127V 60Hz

General

Code number (pre-assembled CSIR start equipment)	105G5645
Approvals	UL984
Compressors on pallet	80

Application

Application	LBP/MBP		
Frequency	Hz	50	60
Evaporating temperature	°F	-	-31 to 45
Voltage range	V	-	95 - 135
Max. condensing temperature continuous (short)	°F	-	140 (158)
Max. winding temperature continuous (short)	°F	-	257 (275)

Cooling requirements

Frequency	Hz	50			60		
Application		LBP	MBP	HBP	LBP	MBP	HBP
90°F		-	-	-	S	S	-
100°F		-	-	-	S	S	-
110°F		-	-	-	F ₁	F ₁	-
Remarks on application:							

Motor

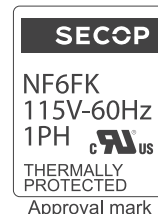
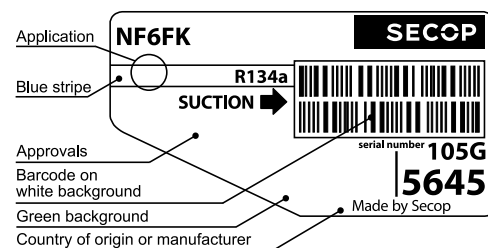
Motor type	CSIR		
LRA (rated after 4 sec. UL984), HST LST	A	-	29.4
Cut in Current, HST LST	A	-	29.4
Resistance, main start winding (77°F)	Ω	2.0	9.1

Design

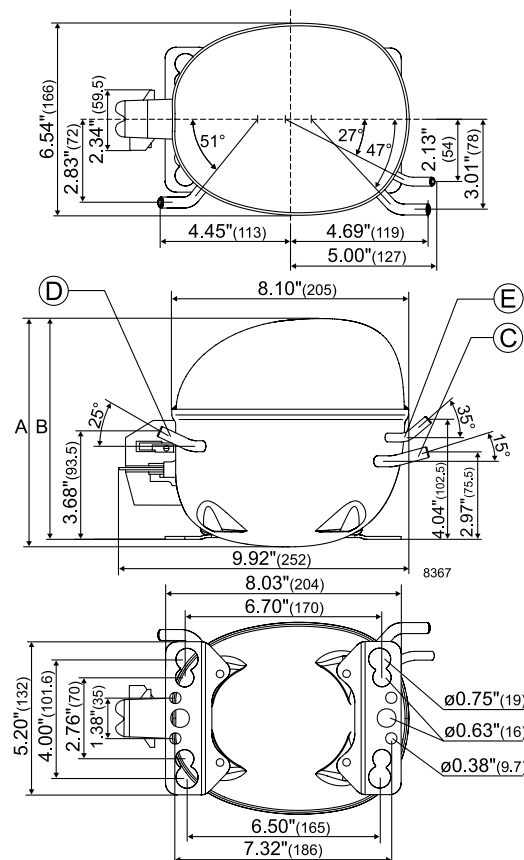
Displacement	cu.in	0.37
Oil quantity (type)	fl.oz.	9.13 (polyolester)
Maximum refrigerant charge	oz.	14.0
Free gas volume in compressor	fl.oz.	79.7
Weight without electrical equipment	lbs.	23.0

Dimensions

Height	inch	A	7.72
		B	7.52
		B1	-
		B2	-
Suction connector	location, I.D. in. angle	C	0.320-0.327 15°
	material comment		Copper Rubber plug
Process connector	location, I.D. in. angle	D	0.252-0.259 25°
	material comment		Copper Rubber plug
Discharge connector	location, I.D. in. angle	E	0.252-0.259 35°
	material comment		Copper Rubber plug
Oil cooler connector	location, I.D. in. angle	F	-
	material comment		-
Remarks:			



- S = Static cooling normally sufficient
- O = Oil cooling
- F₁ = Fan cooling 1.5 m/s
(compressor compartment temperature equal to ambient temperature)
- F₂ = Fan cooling 3.0 m/s necessary
- SG = Suction gas cooling normally sufficient
- = not applicable in this area



ASHRAE LBP

115V, 60Hz, fan cooling F₁

Evap. temp. in °F	-49	-40	-30	-20	-13	-10	0	10	14	20	30	32	40	45	50	59	68
Capacity in BTU/h			286	462	602	668	912	1206	1344	1560	1982	2081	2484	2768			
Power cons. in W			100	138	162	172	204	232	243	259	285	290	310	323			
Current cons. in A			2.33	2.49	2.60	2.65	2.82	3.00	3.08	3.19	3.39	3.43	3.59	3.69			
EER in BTU/Wh			2.87	3.35	3.71	3.87	4.48	5.19	5.53	6.01	6.95	7.17	8.00	8.57			

ASHRAE MBP

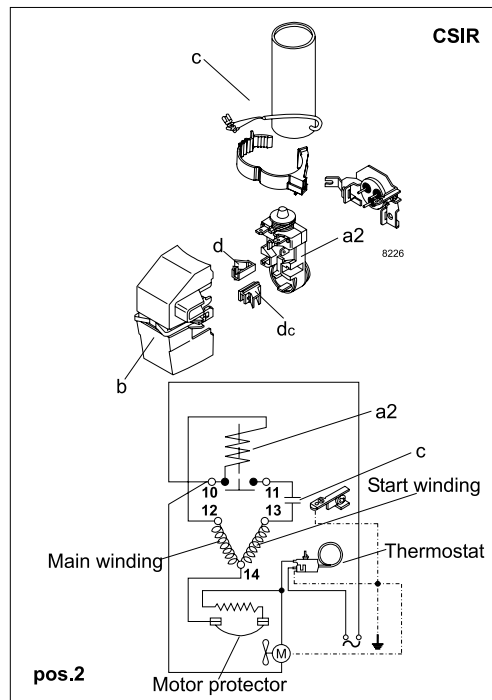
115V, 60Hz, fan cooling F₁

Evap. temp. in °F	-49	-40	-30	-20	-13	-10	0	10	14	20	30	32	40	45	50	59	68
Capacity in BTU/h			254	411	535	593	811	1071	1194	1384	1758	1849	2202	2452			
Power cons. in W			100	138	162	172	204	232	243	259	285	290	310	323			
Current cons. in A			2.33	2.49	2.60	2.65	2.82	3.00	3.08	3.19	3.39	3.43	3.59	3.69			
EER in BTU/Wh			2.55	2.98	3.30	3.44	3.98	4.61	4.91	5.34	6.16	6.38	7.09	7.59			

EN 12900 Household (CECOMAF)

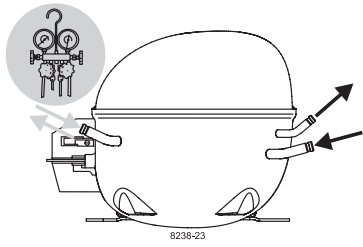
115V, 60Hz, fan cooling F₁

Evap. temp. in °F	-49	-40	-30	-20	-13	-10	0	10	14	20	30	32	40	45	50	59	68
Capacity in W			67	109	143	158	216	286	317	369	468	490	586	653			
Power cons. in W			100	138	162	172	204	232	244	259	285	291	310	323			
Current cons. in A			2.33	2.49	2.60	2.65	2.82	3.00	3.08	3.19	3.39	3.44	3.59	3.69			
COP in W/W			0.68	0.79	0.88	0.92	1.06	1.23	1.30	1.42	1.64	1.68	1.88	2.01			



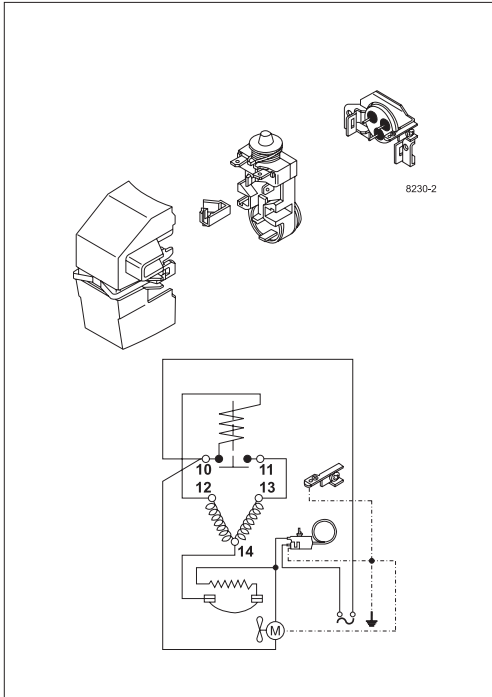
Accessories for NF6FK (pre-assembled CSIR start equipment)	Figure	Code number	Test conditions	ASHRAE LBP	ASHRAE MBP	EN 12900/CECOMAF
Starting relay 1/4 in. spade connect.	a2	117U4132	Condensing temp.	130°F	130°F	131°F
Protector 3/4 in. Texas Instruments		MRT30AEZ-6	Ambient temp.	90°F	95°F	90°F
Start. capacitor 320 µF 1/4 in. spade connect.	c	117U5022	Suction gas temp.	90°F	95°F	90°F
Cord relief for capacitor	dc	117U0349	Liquid temperature	90°F	115°F	131°F
Cord relief	d	117U0349				
Cover	b	117U1021				
Mounting accessories				Code number		
Bolt joint for one comp.	Ø: 5/8 in.	118-1917				
Bolt joint in quantities	Ø: 5/8 in.	118-1918				
Snap-on in quantities	Ø: 5/8 in.	118-1919				

Secop accepts no responsibility for possible errors in catalogs, brochures, and other printed material. Secop reserves the right to alter its products without notice. This also applies to products already on order provided that such alterations can be made without subsequential changes being necessary to specifications already agreed. All trademarks in this material are the property of the respective companies. Secop and the Secop logotype are trademarks of Secop GmbH. All rights reserved. www.secop.com

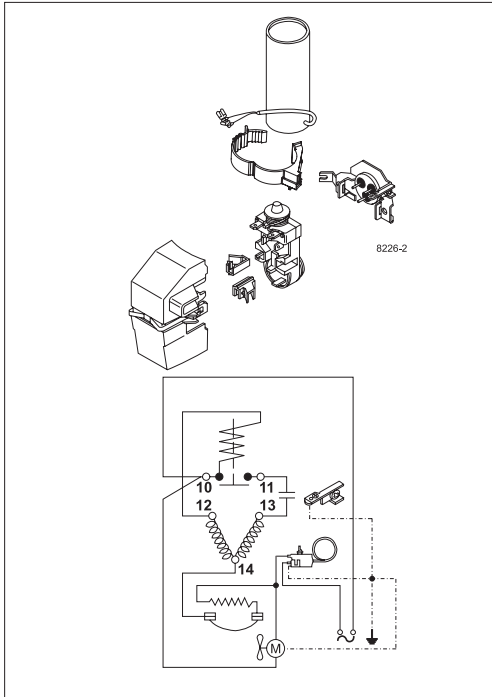


8238-23

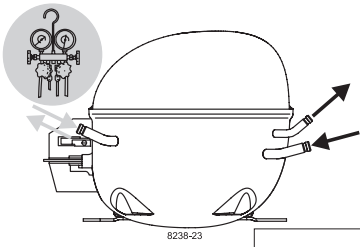
NF Compressors



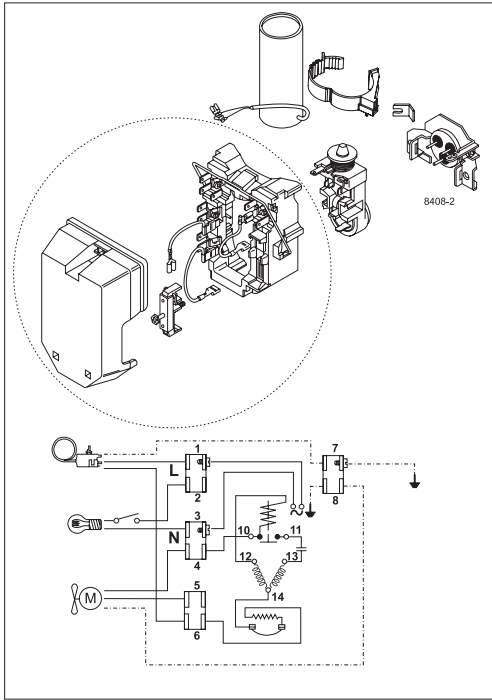
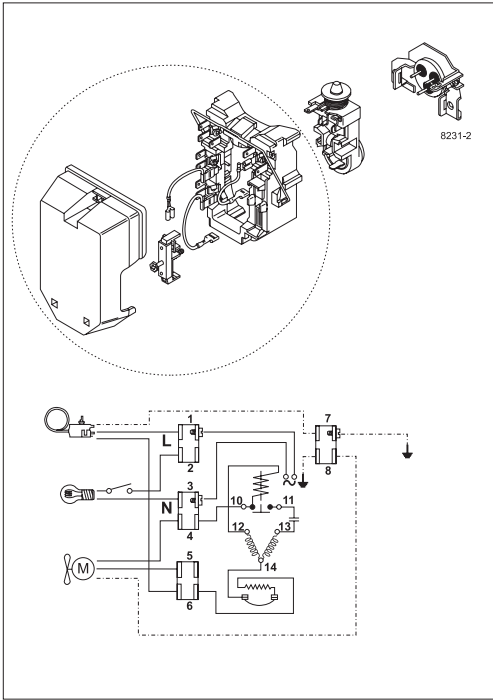
8230-2



8226-2



8238-23



Secop accepts no responsibility for possible errors in catalogs, brochures, and other printed material. Secop reserves the right to alter its products without notice. This also applies to products already on order provided that such alterations can be made without subsequential changes being necessary to specifications already agreed. All trademarks in this material are the property of the respective companies. Secop and the Secop logotype are trademarks of Secop GmbH. All rights reserved. www.secop.com