

Single Pack SC15FTX 100-127V 60Hz CSIR

Single pack code number: **195B4138**

Position	Title	Code	Amount
1	Compressor SC15FTX	104G7505	1
2	Starting relay	117U6020	1
3	Starting capacitor (240 μ F 125V, 6.3mm)	117U5023	1
4	Cord relief	103N1004	1
5	Cover	103N2008	1
6	Bolt joint for one compressor M6 \varnothing 16mm	118-1917	1

Secop GmbH • Lise-Meitner-Straße 29 • 24941 Flensburg, Germany • Tel: +49 461 4941 0 • www.secop.com

Secop accepts no responsibility for possible errors in catalogs, brochures, and other printed material. Secop reserves the right to alter its products without notice. This also applies to products already on order provided that such alterations can be made without subsequent changes being necessary to specifications already agreed. All trademarks in this material are the property of the respective companies. Secop and the Secop logotype are trademarks of Secop GmbH. All rights reserved.

SC15FTX Tropical Compressor R134a 115-127V 60Hz & 100V 50/60Hz

General

Code number	104G7505
Approvals	UL984
Compressors on pallet	80

Application

Application	LBP/MBP			
Frequency	Hz	50	60	
Evaporating temperature	°F	-31 to 23	-31 to 23	
Voltage range	V	90 - 110	90 - 135	
Max. condensing temperature continuous (short)	°F	140 (158)	140 (158)	
Max. winding temperature continuous (short)	°F	257 (275)	257 (275)	

Cooling requirements

Frequency	Hz	50			60		
Application		LBP	MBP	HBP	LBP	MBP	HBP
90°F		F ₂	F ₂	-	F ₂	F ₂	-
100°F		F ₂	F ₂	-	F ₂	F ₂	-
110°F		F ₂	F ₂	-	F ₂	F ₂	-
Remarks on application: LBP 90 - 110V, 60Hz MBP 95 - 135, 60Hz							

Motor

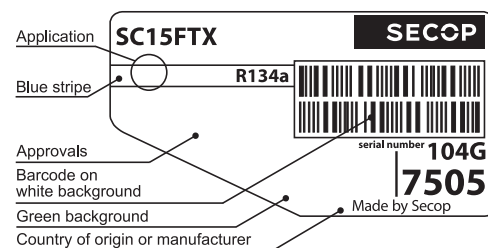
Motor type	CSIR		
LRA (rated after 4 sec. UL984), HST LST	A	42.0	-
Cut in Current, HST LST	A	42.0	-
Resistance, main start winding (77°F)	Ω	1.0	4.3

Design

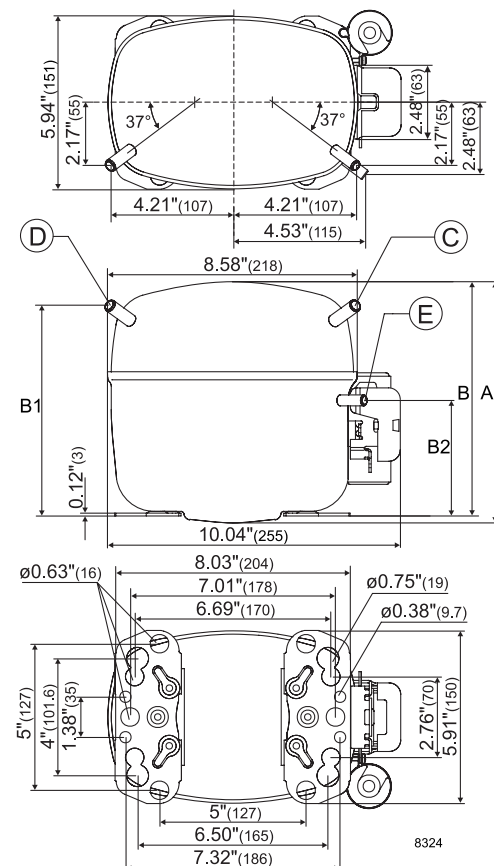
Displacement	cu.in	0.93
Oil quantity (type)	fl.oz.	20.3 (polyolester)
Maximum refrigerant charge	oz.	45.5
Free gas volume in compressor	fl.oz.	49.4
Weight without electrical equipment	lbs.	27.7

Dimensions

Height	inch	A	8.23
		B	8.00
		B1	7.20
		B2	3.93
Suction connector	location, I.D. in. angle	C	0.320-0.327 37°
	material comment		Copper Rubber plug
Process connector	location, I.D. in. angle	D	0.252-0.259 37°
	material comment		Copper Rubber plug
Discharge connector	location, I.D. in. angle	E	0.252-0.259 37°
	material comment		Copper Rubber plug
Oil cooler connector	location, I.D. in. angle	F	-
	material comment		-
Remarks:			



- S = Static cooling normally sufficient
- O = Oil cooling
- F₁ = Fan cooling 1.5 m/s
(compressor compartment temperature equal to ambient temperature)
- F₂ = Fan cooling 3.0 m/s necessary
- SG = Suction gas cooling normally sufficient
- = not applicable in this area



ASHRAE LBP

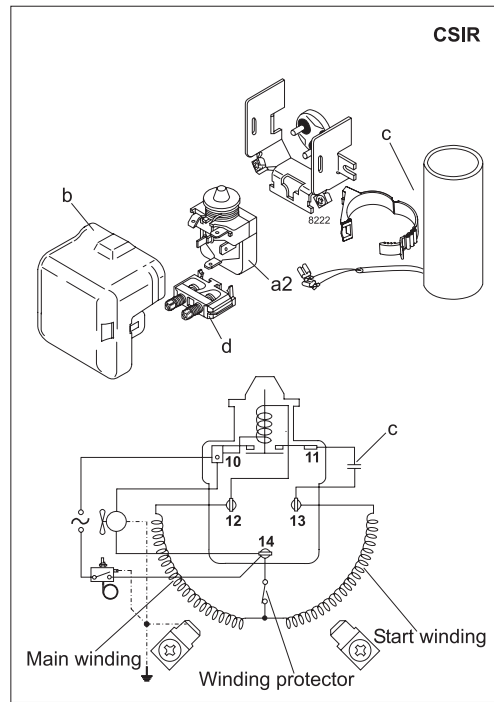
115V, 60Hz, fan cooling F₂

Evap. temp. in °F	-49	-40	-30	-20	-13	-10	0	10	14	20	30	40	41	45	50	59	68
Capacity in BTU/h			711	1094	1404	1550	2096	2750	3046	3531							
Power cons. in W			237	325	382	405	481	555	585	632							
Current cons. in A			4.82	5.27	5.60	5.75	6.26	6.81	7.03	7.39							
EER in BTU/Wh			3.00	3.37	3.68	3.83	4.36	4.95	5.20	5.58							

EN 12900 Household (CECOMAF)

115V, 60Hz, fan cooling F₂

Evap. temp. in °F	-49	-40	-30	-20	-13	-10	0	10	14	20	30	40	41	45	50	59	68
Capacity in W			167	258	332	367	497	652	722	836							
Power cons. in W			237	325	382	405	481	555	585	632							
Current cons. in A			4.82	5.27	5.60	5.75	6.26	6.81	7.03	7.39							
COP in W/W			0.72	0.80	0.87	0.91	1.03	1.17	1.23	1.32							



Accessories for SC15FTX	Figure	Code number	Test conditions	ASHRAE LBP	EN 12900 HH (CECOMAF)
PTC starting device	1/4 in. spade connect.	-	Condensing temp.	130°F	131°F
	3/16 in. spade connect.	-	Ambient temperature	90°F	90°F
Starting relay	1/4 in. spade connect.	a2	Suction gas temp.	90°F	90°F
Cover		b	Liquid temperature	90°F	131°F
Start. capacitor 240 µF	1/4 in. spade connect.	c	Mounting accessories		
Cord relief		d	Code number		
Protection screen for PTC		-	Bolt joint for one comp.	Ø: 5/8 in.	118-1917
			Bolt joint in quantities	Ø: 5/8 in.	118-1918
			Snap-on in quantities	Ø: 5/8 in.	118-1919

Secop accepts no responsibility for possible errors in catalogs, brochures, and other printed material. Secop reserves the right to alter its products without notice. This also applies to products already on order provided that such alterations can be made without consequential changes being necessary to specifications already agreed. All trademarks in this material are the property of the respective companies. Secop and the Secop logotype are trademarks of Secop GmbH. All rights reserved. www.secop.com



SC Compressors





SC Compressors

Service/Repair – R290



8545



Secop accepts no responsibility for possible errors in catalogs, brochures, and other printed material. Secop reserves the right to alter its products without notice. This also applies to products already on order provided that such alterations can be made without subsequent changes being necessary to specifications already agreed. All trademarks in this material are the property of the respective companies. Secop and the Secop logotype are trademarks of Secop GmbH. All rights reserved. www.secop.com