

## Single Pack NLU11KK.1 220-240V 50Hz RSCR

Single pack code number: **195B4143**

Position	Title	Code	Amount
1	Compressor NLU11KK.1	105H6132	1
2	PTC starting device (220V, 250hm, 4.8mm)	103N0021	1
3	Protection screen for PTC	103N0476	1
4	Run capacitor (2.5µF 320V, 4.8mm)	117-7139	1
5	Cord relief	103N1010	1
6	Cover	103N2010	1
7	Bolt joint for one compressor   M6   ø16mm	118-1917	1

**Secop GmbH** • Lise-Meitner-Straße 29 • 24941 Flensburg, Germany • Tel: +49 461 4941 0 • [www.secop.com](http://www.secop.com)

Secop accepts no responsibility for possible errors in catalogs, brochures, and other printed material. Secop reserves the right to alter its products without notice. This also applies to products already on order provided that such alterations can be made without subsequent changes being necessary to specifications already agreed. All trademarks in this material are the property of the respective companies. Secop and the Secop logotype are trademarks of Secop GmbH. All rights reserved.

## Model

Designation	<b>NLU11KK.1</b>	220-240V/50Hz 1~	Sales code:	<b>105H6132</b>
-------------	------------------	------------------	-------------	-----------------

## Compressor design

Oil type	Mineral	Refrigerant(s)	<b>R600a</b>
Oil viscosity	5cST	Displacement	11,15cm <sup>3</sup> / 0,68cu.in
Oil quantity	265cm <sup>3</sup> / 9fl.oz	Compressors on pallet	80
Refr. charge - tech. limit	150g / 5,3oz		
Free gas volume comp.	2360cm <sup>3</sup> / 79,8fl.oz		
Weight	12,1kg / 26,7lbs		
Motor protection	1# internal		
Winding resistance main	19Ω (at 25°C)		
Winding resistance aux	24Ω (at 25°C)		
Max. winding temp.	105°C / 221°F		
Max. discharge temp.	125°C / 257°F		



## General - Configurations with NLU11KK.1

	<b>Conf. 1</b>
Motorconfiguration	RSCR
Power supply (nominal)	220-240V/50Hz
Number of phases	1
Voltage range	198-254V
Approvals	VDE
Starting torque	LST
Note	- / -

## Applications with NLU11KK.1

	<b>Conf. 1</b>
Refrigerant	R600a
Application	LBP
System cooling	static
Hot gas defrost	- / -
Long interval pull down	- / -

## Electrical data - Configurations with NLU11KK.1

	<b>Conf. 1</b>
Starting device type	PTC
Run capacitor	2μF
Start capacitor	- / -
LRA (locked rotor amps / 4s)	3,4A
RLA (rated load amps / 1s)	0,6A
Cut in current	6,2A

## Model

Designation

**NLU11KK.1**

220-240V/50Hz 1~

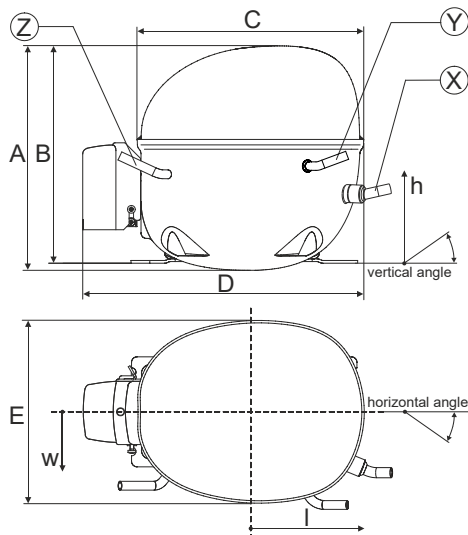
Sales code:

**105H6132**

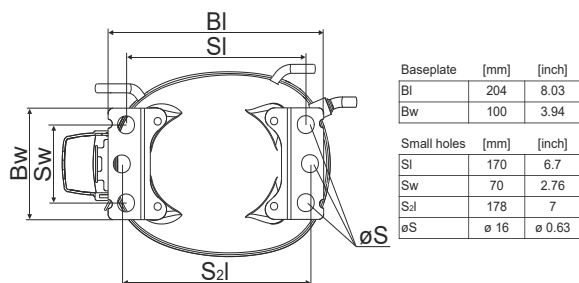
## Compressor dimensions

<b>Housing</b>	A Height	203mm / 7,99in
	B Height	197mm / 7,76in
	C Length shell	205mm / 8,07in
	D Length w. cover	254mm / 10in
	E Width	166mm / 6,54in

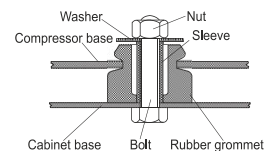
Connectors		Suction	Discharge	Process
		X	Y	Z
Diameter	[mm]	øi 6,11-6,29	øi 5,12-5,22	øi 6,11-6,29
	(i:inside, o:outside) [in]	øi 0,24-0,25	øi 0,2-0,21	øi 0,24-0,25
Material		copper	copper	copper
Horizontal angle	±2°	0°	0°	0°
Vertical angle	±2°	15°	21°	155°
Position l/h/w	[mm]	133/71/57	91/103/81	-107/94/72
	[in]	5,2/2,8/2,2	3,6/4/3,2	-4,2/3,7/2,8
Straight tube l.	[mm]	12	12	12
	[in]	0,5	0,5	0,5



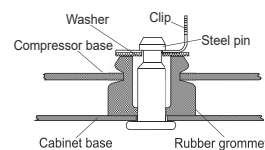
## Compressor fixation



### Bolt joint



### Snap-on



## Mounting accessories

	one comp.	multi pack
Bolt joint   M6   ø16mm	118-1917	118-1918
Bolt joint   ø1/4"   ø16mm	118-1946	
Bolt joint   ø1/4"   ø19mm	118-1949	
Snap-on   ø7,3   ø16mm	118-1947	118-1919

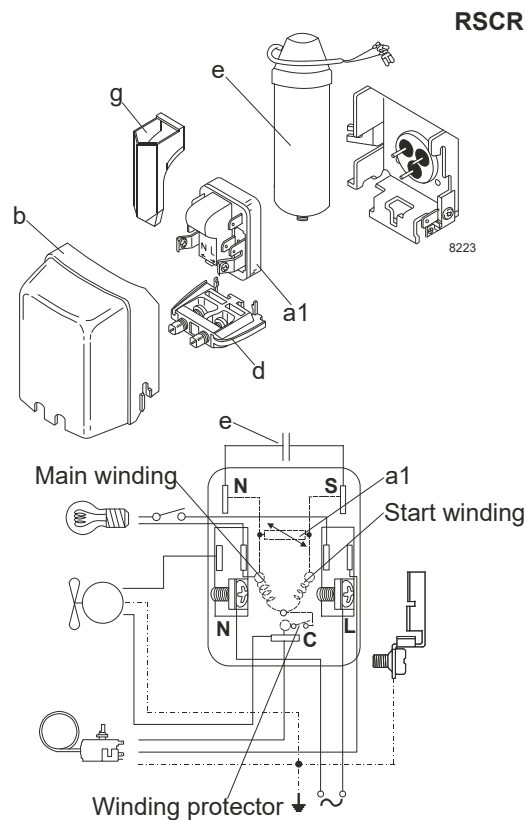
## Model

Designation	<b>NLU11KK.1</b>	<b>220-240V/50Hz</b>	<b>Conf. 1</b>	Sales code:	<b>105H6132</b>
-------------	------------------	----------------------	----------------	-------------	-----------------

## Configuration

Motorconfiguration	RSCR
Power supply (nominal)	220-240V/50Hz 1~
Refrigerant	R600a
Application	LBP
Voltage range	198-254V
Starting torque	LST
Approvals	VDE

## Electrical accessories / wiring diagram

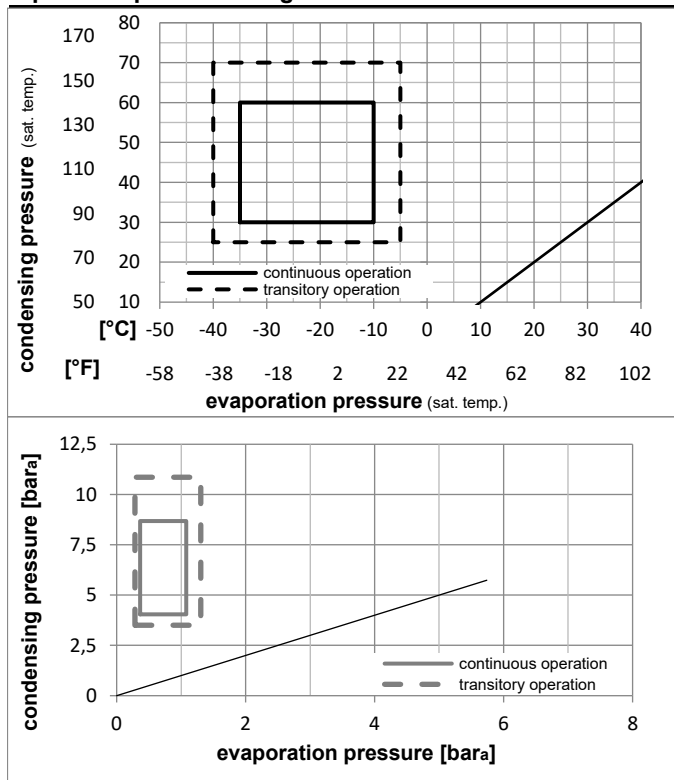


## Ambient temperatures / system cooling

Ambient temperature min.:	10°C / 50°F
Ambient temperature max.:	43°C / 110°F

System cooling (n/a: outside limits)			
T ambient	LBP	MBP	HBP
32°C / 90°F	static	n/a	n/a
38°C / 100°F	static	n/a	n/a
43°C / 110°F	static	n/a	n/a

## Operation pressure range



## Components

a1	e-PTC starter (220V, 380hm, 4.8mm)	103N0055
e	run capacitor (2.5μF, 4.8mm)	117-7139
b	plastic cover	103N2010
d	cord relief	103N1010
	bracket for run capacitor	117-0300
	screw M4x8mm	117-0301

## Alternative components

a1	PTC starter (220V, 250hm, 4.8mm)	103N0021
e	run capacitor (2.5μF, 4.8mm)	117-7139
b	plastic cover	103N2011
d	cord relief	103N1010
g	protection screen for PTC	103N0476
	bracket for run capacitor	117-0300
	screw M4x8mm	117-0301

### Model

Designation **NLU11KK.1 220-240V/50Hz** Conf. 1 Sales code: **105H6132**

### Optimization + standard conditions

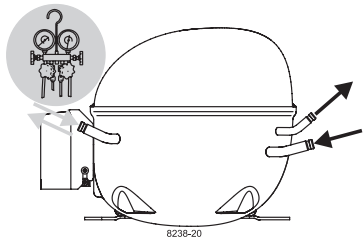
R600a, 220V/50Hz, RSCR, static, VDE

	pe	pc	RGT	Tliq	Cooling capacity		COP	EER		P1	I	Ref. mass flow	
	[°C]	[°C]	[°C]	[°C]	[W]	[Btu/h]	[W/W]	[Btu/Wh]	[kcal/Wh]	[W]	[A]	[kg/h]	
Evaporating pressure (saturation temperature)	-23	54	32	32	199,2	680	1,97	6,73	1,70	101,1	0,46	2,14	ASHRAE LBP
Condensing pressure (saturation temperature)	-10	130	90	90									
Return gas temp.													
Liquid temp.													
Power consumption													
Current consumption													
Ref. mass flow													
	[°F]	[°F]	[°F]	[°F]	[kcal/h]	[kcal/h]	[kcal/Wh]	[kcal/Wh]	[kcal/Wh]	[W]	[A]	[kg/h]	
	-10	130	90	90	199,2	680	1,97	6,73	1,70	101,1	0,46	2,14	ASHRAE LBP
	[°C]	[°C]	[°C]	[°C]	[W]	[Btu/h]	[W/W]	[Btu/Wh]	[kcal/Wh]	[W]	[A]	[kg/h]	
	-25	55	32	55	149,3	510	1,55	5,29	1,33	96,3	0,43	1,95	cecomaf LBP
	[°F]	[°F]	[°F]	[°F]	[kcal/h]	[kcal/h]	[kcal/Wh]	[kcal/Wh]	[kcal/Wh]	[W]	[A]	[kg/h]	
	-13	131	90	131	149,3	510	1,55	5,29	1,33	96,3	0,43	1,95	cecomaf LBP
	[°C]	[°C]	[°C]	[°C]	[W]	[Btu/h]	[W/W]	[Btu/Wh]	[kcal/Wh]	[W]	[A]	[kg/h]	
	-35	40	20	40	104,9	358	1,59	5,42	1,36	66,1	0,30	1,28	EN12900 LBP
	[°F]	[°F]	[°F]	[°F]	[kcal/h]	[kcal/h]	[kcal/Wh]	[kcal/Wh]	[kcal/Wh]	[W]	[A]	[kg/h]	
	-31	104	68	104	104,9	358	1,59	5,42	1,36	66,1	0,30	1,28	EN12900 LBP
	[°C]	[°C]	[°C]	[°C]	[W]	[Btu/h]	[W/W]	[Btu/Wh]	[kcal/Wh]	[W]	[A]	[kg/h]	
	-23	49	4,4	49	162,9	556	1,66	5,68	1,43	97,9	0,44	2,38	ARI540 LBP
	[°F]	[°F]	[°F]	[°F]	[kcal/h]	[kcal/h]	[kcal/Wh]	[kcal/Wh]	[kcal/Wh]	[W]	[A]	[kg/h]	
	-10	120	40	120	162,9	556	1,66	5,68	1,43	97,9	0,44	2,38	ARI540 LBP
	[°C]	[°C]	[°C]	[°C]	[W]	[Btu/h]	[W/W]	[Btu/Wh]	[kcal/Wh]	[W]	[A]	[kg/h]	
	-23	41	32	32	215,3	735	2,32	7,92	1,99	92,9	0,42	2,31	AHAM LBP
	[°F]	[°F]	[°F]	[°F]	[kcal/h]	[kcal/h]	[kcal/Wh]	[kcal/Wh]	[kcal/Wh]	[W]	[A]	[kg/h]	
	-10	105	90	90	215,3	735	2,32	7,92	1,99	92,9	0,42	2,31	AHAM LBP
	[°C]	[°C]	[°C]	[°C]	[W]	[Btu/h]	[W/W]	[Btu/Wh]	[kcal/Wh]	[W]	[A]	[kg/h]	
	-35	45	32	45	99,7	341	1,49	5,09	1,28	66,8	0,30	1,18	opt
	[°F]	[°F]	[°F]	[°F]	[kcal/h]	[kcal/h]	[kcal/Wh]	[kcal/Wh]	[kcal/Wh]	[W]	[A]	[kg/h]	
	-31	113	90	113	99,7	341	1,49	5,09	1,28	66,8	0,30	1,18	opt

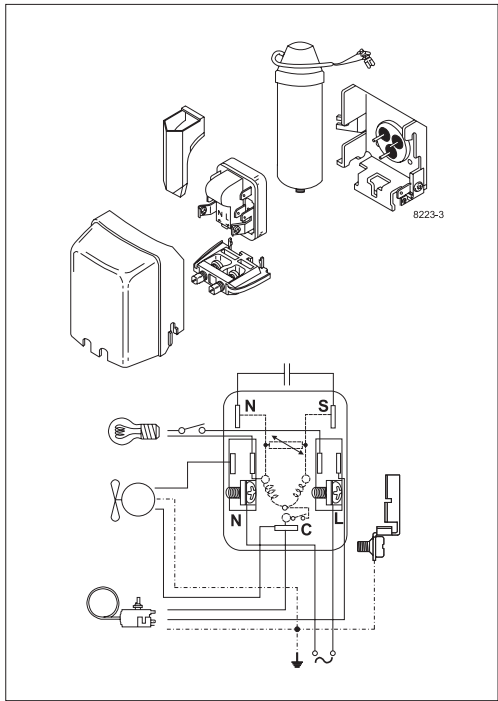
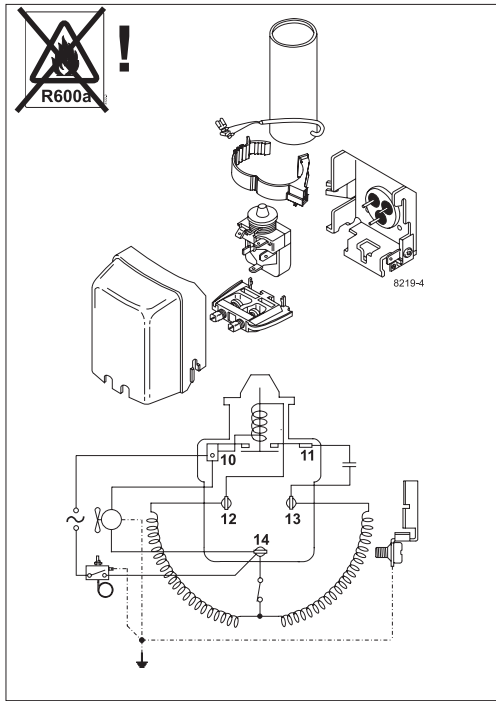
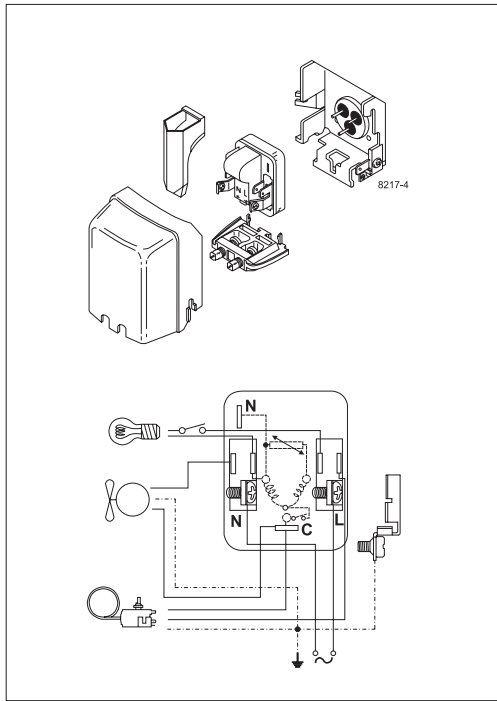
### Performance tables

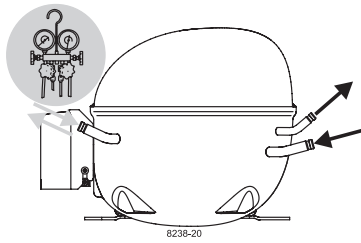
R600a, 220V/50Hz, RSCR, static, VDE

	pe	Cooling capacity			COP	EER	P1	I	m		
	[°C]	[°F]	[W]	[Btu/h]	[kcal/h]	[W/W]	[Btu/Wh]	[kcal/Wh]	[W]	[A]	[kg/h]
[°C / °F]	-35	-31	99,7	341	85,8	1,49	5,09	1,28	66,8	0,30	1,18
cond. pressure	-30	-22	133,7	456	115,0	1,69	5,78	1,46	79,0	0,36	1,59
pc= 45/113	-25	-13	174,6	596	150,3	1,91	6,53	1,65	91,3	0,41	2,08
return gas temp.	-23	-10	190,3	650	163,8	1,99	6,79	1,71	95,7	0,43	2,27
RGT= 32/90	-20	-4	223,6	764	192,5	2,14	7,32	1,85	104,3	0,48	2,67
liquid temp	-15	5	281,7	962	242,5	2,38	8,14	2,05	118,2	0,54	3,37
Tliq= 45/113	-10	14	350,0	1195	301,2	2,62	8,96	2,26	133,4	0,61	4,19
[°C / °F]	-35	-31	81,0	276	69,7	1,22	4,17	1,05	66,3	0,30	1,05
cond. pressure	-30	-22	112,0	382	96,4	1,38	4,70	1,18	81,3	0,37	1,46
pc= 55/131	-25	-13	149,3	510	128,5	1,55	5,29	1,33	96,3	0,43	1,95
return gas temp	-23	-10	163,5	559	140,7	1,61	5,50	1,39	101,5	0,46	2,13
RGT= 32/90	-20	-4	193,8	662	166,8	1,74	5,93	1,49	111,6	0,51	2,53
liquid temp	-15	5	246,7	843	212,3	1,93	6,61	1,66	127,5	0,58	3,23
Tliq= 55/131	-10	14	309,0	1055	265,9	2,14	7,31	1,84	144,5	0,66	4,06

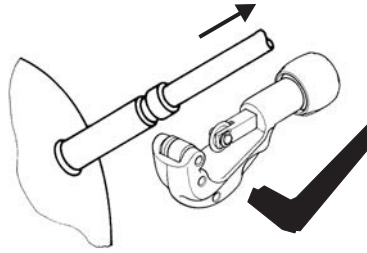
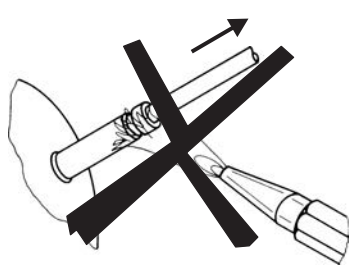


# NL Compressors





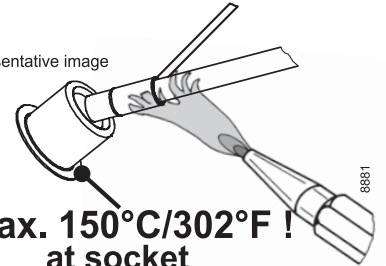
## Service/Repair – R600a, R290



8545

## Brazing on Suction Connectors (Direct Intake)

representative image



**! max. 150°C/302°F !  
at socket**  
brazing solder: phosphor (LP7) or silver

Refer to Product Bulletin:  
**Brazing on Suction Connectors  
(Compressors with Direct Suction Intake)**

Secop accepts no responsibility for possible errors in catalogs, brochures, and other printed material. Secop reserves the right to alter its products without notice. This also applies to products already on order provided that such alterations can be made without subsequential changes being necessary to specifications already agreed. All trademarks in this material are the property of the respective companies. Secop and the Secop logotype are trademarks of Secop GmbH. All rights reserved. [www.secop.com](http://www.secop.com)