

Single Pack SCE21MNX 220-240V 50Hz CSCR

Single pack code number: **195B4235**

Position	Title	Code	Amount
1	Compressor SCE21MNX	104H8160	1
2	SC starting device (550mm)	117-7800	1
3	Bolt joint for one compressor M6 ø16mm	118-1917	1

Secop GmbH • Lise-Meitner-Straße 29 • 24941 Flensburg, Germany • Tel: +49 461 4941 0 • www.secop.com

Secop accepts no responsibility for possible errors in catalogs, brochures, and other printed material. Secop reserves the right to alter its products without notice. This also applies to products already on order provided that such alterations can be made without subsequent changes being necessary to specifications already agreed. All trademarks in this material are the property of the respective companies. Secop and the Secop logotype are trademarks of Secop GmbH. All rights reserved.

Model

Designation	SCE21MNX	220-240V/50Hz 1~	Sales code:	104H8160
-------------	-----------------	------------------	-------------	-----------------

Compressor design

Oil type	Polyolester	Refrigerant(s)	R290
Oil viscosity	32cSt	Displacement	20,95cm ³ / 1,28cu.in
Oil quantity	569cm ³ / 19,2fl.oz	Compressors on pallet	80
Refr. charge - tech. limit	550g / 19,4oz		
Free gas volume comp.	1460cm ³ / 49,4fl.oz		
Weight	14,2kg / 31,3lbs		
Motor protection	external		
Winding resistance main	3,65Ω (at 25°C)		
Winding resistance aux	14,16Ω (at 25°C)		
Max. winding temp.	125°C / 257°F		
Max. discharge temp.	140°C / 284°F		



General - Configurations with SCE21MNX

	Conf. 1
Motorconfiguration	CSCR
Power supply (nominal)	220-240V/50Hz
Number of phases	1
Voltage range	198-254V
Approvals	VDE, CCC, EAC
Starting torque	HST
Note	Protector and cover are included and pre-assembled to compressor.

Applications with SCE21MNX

	Conf. 1
Refrigerant	R290
Application	MBP
System cooling	fan 3m/s
Hot gas defrost	OK
Long interval pull down	OK

Electrical data - Configurations with SCE21MNX

	Conf. 1
Starting device type	relay
Run capacitor	10μF
Start capacitor	80μF
LRA (locked rotor amps / 4s/ U(N))	22,3A
RLA (rated load amps / 1s/ U(N))	3,69A
Cut in current (U(N))	22,3A

Model

Designation

SCE21MNX

220-240V/50Hz 1~

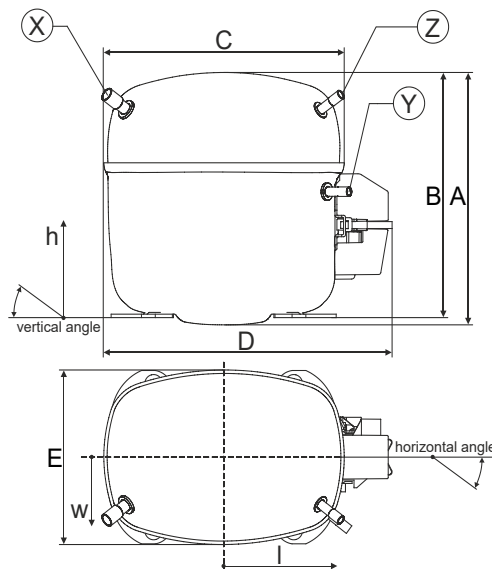
Sales code:

104H8160

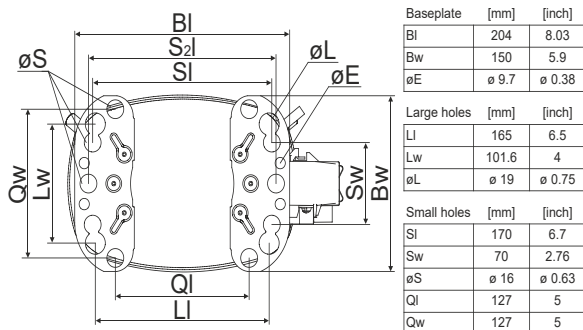
Compressor dimensions

Housing	A Height	219mm / 8,62in
	B Height	213mm / 8,39in
	C Length shell	218mm / 8,58in
	D Length w. cover	255mm / 10,04in
	E Width	151mm / 5,94in

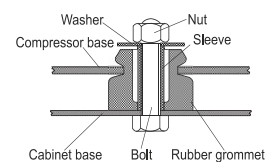
Connectors	Suction		Discharge		Process	
	X	Y	Z	X	Y	Z
Diameter [mm]	øi 10,11-10,29	øi 6,11-6,29	øi 6,11-6,29	øi 10,11-10,29	øi 6,11-6,29	øi 6,11-6,29
(i:inside, o:outside) [in]	øi 0,4-0,41	øi 0,24-0,25	øi 0,24-0,25	øi 0,4-0,41	øi 0,24-0,25	øi 0,24-0,25
Material	copper	copper	copper	copper	copper	copper
Horizontal angle ±2°	37°	37°	143°	37°	37°	143°
Vertical angle ±2°	30°	0°	150°	30°	0°	150°
Position l/h/w [mm]	107/193/55	115/110/63	-107/193/55	107/193/55	115/110/63	-107/193/55
[in]	4,2/7,6/2,2	4,5/4,3/2,5	-4,2/7,6/2,2	4,2/7,6/2,2	4,5/4,3/2,5	-4,2/7,6/2,2
Straight tube l. [mm]	12	12	12	12	12	12
[in]	0,5	0,5	0,5	0,5	0,5	0,5



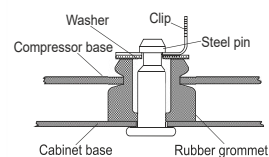
Compressor fixation



Bolt joint



Snap-on



Mounting accessories

Mounting accessories	one comp.	multi pack
Bolt joint M6 ø16mm	118-1917	118-1918
Bolt joint ø1/4" ø16mm	118-1946	
Bolt joint ø1/4" ø19mm	118-1949	
Snap-on ø7,3 ø16mm	118-1947	118-1919

Application notes

Provision for PE Grounding is located at the PE Stamp on the compressor

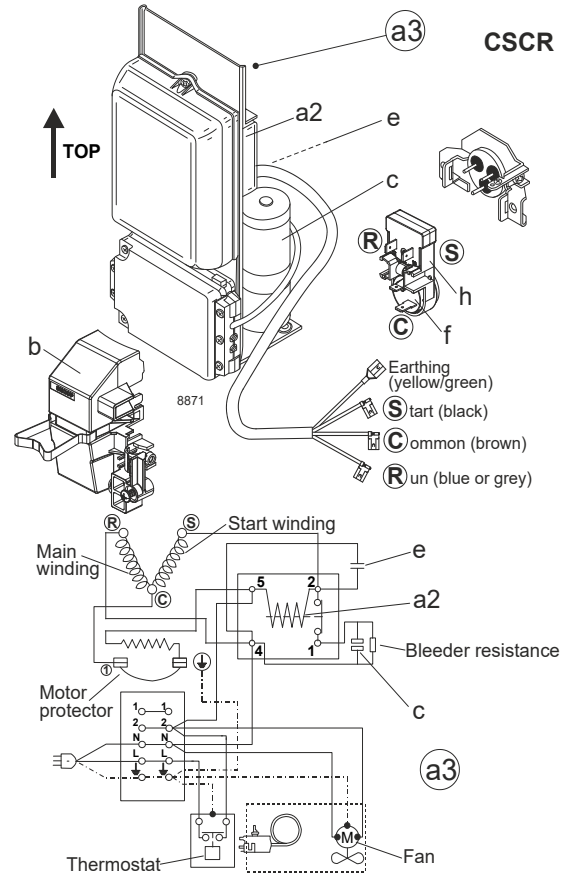
Model

Designation	SCE21MNX	220-240V/50Hz	Conf. 1	Sales code:	104H8160
-------------	-----------------	----------------------	----------------	-------------	-----------------

Configuration

Motor configuration	CSCR
Power supply (nominal)	220-240V/50Hz 1~
Refrigerant	R290
Application	MBP
Voltage range	198-254V
Starting torque	HST
Approvals	VDE
	CCC
	EAC

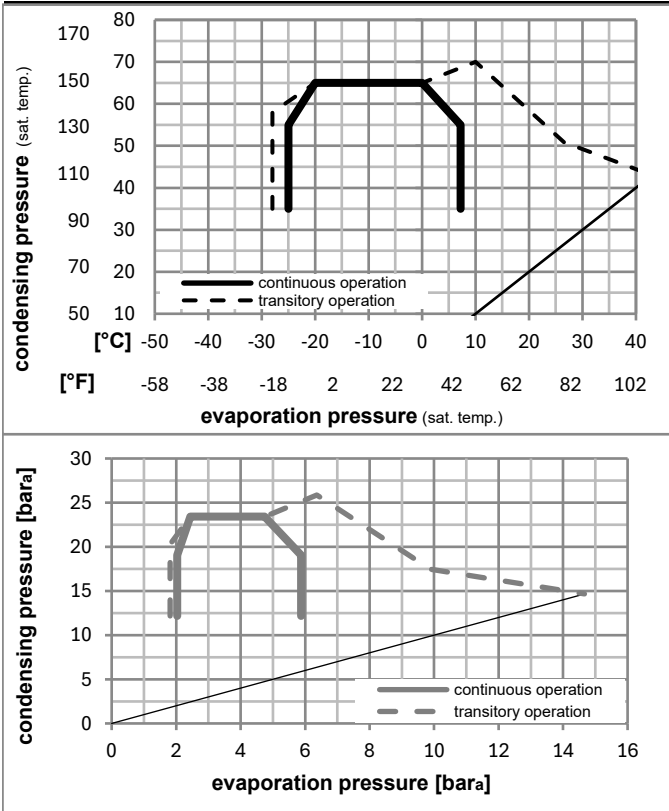
Electrical accessories / wiring diagram



Ambient/ machine room temperatures minimum /maximum

Ambient temperature range:	10 - 43°C / 50 - 110°F
Machine room temperature range:	10 - 48°C / 50 - 119°F
Compressor cooling:	fan 3m/s

Operation pressure range



Components (protector (f)+ holder (h)+ cover (b): pre assembled)

a3	SC starter kit	117-7800
f / h	motor protector assy. (T1070/46)	117U8000
b	plastic cover + clamp	117U1028

Alternative comp.

a2	potential relay (RVA 6M3R 339)	117-7425
e	run capacitor (10µF, 6.3mm)	117-7112
c	start capacitor (80µF)	117U5373

Model

Designation **SCE21MNX** **220-240V/50Hz** Conf. 1 Sales code: **104H8160**

Optimization + standard conditions

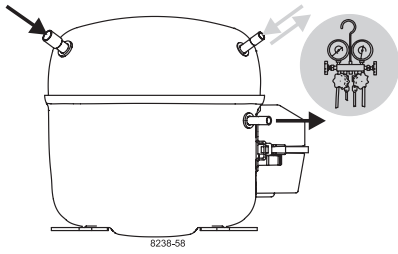
R290, 220V/50Hz, CSCR, fan 3m/s, VDE, CCC, EAC

		Evaporating pressure (saturation temperature)				Condensing pressure (saturation temperature)			Return gas temp.		Liquid temp.		Cooling capacity			COP	EER	Power consumption		
		pe	pc	RGT	Tliq	[W]	[Btu/h]	[kcal/h]	[W/W]	[Btu/Wh]	[kcal/Wh]	P1	I	Current consumption		Ref. mass flow				
[°C]	[°F]											[W]	[A]	[kg/h]						
-7	20	54	130	35	95	46	115	1763,6	6023	1517,7	2,12	7,22	1,82	833,8	4,06	20,12	ASHRAE MBP			
-10	14	55	131	32	90	55	131	1408,7	4811	1212,3	1,77	6,04	1,52	796,2	3,89	17,82	cecomaf MBP			
-10	14	45	113	20	68	45	113	1572,3	5370	1353,1	2,17	7,42	1,87	723,9	3,57	19,30	EN12900 MBP			
-7	20	49	120	18	65	49	120	1664,2	5683	1432,2	2,12	7,23	1,82	786,4	3,85	21,61	ARI540 MBP			
-10	14	45	113	32	90	45	113	1636,8	5590	1408,7	2,26	7,72	1,95	723,9	3,57	18,73	opt			
-25	-13	45	113	32	90	45	113	897,3	3064	772,2	1,60	5,48	1,38	559,6	2,88	10,12	opt			

Performance tables

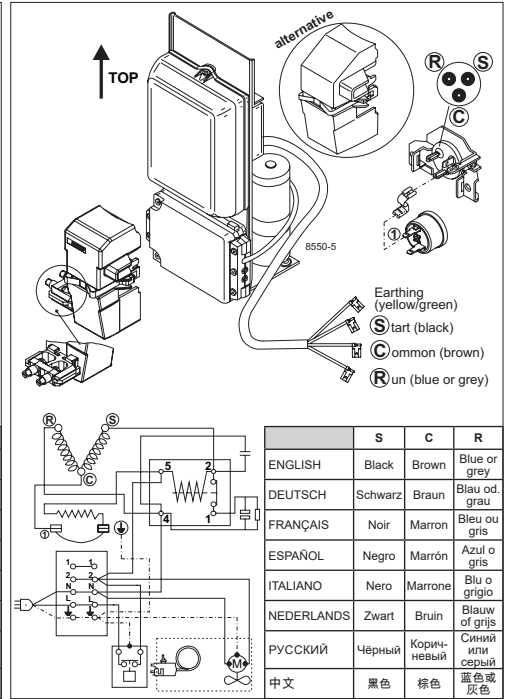
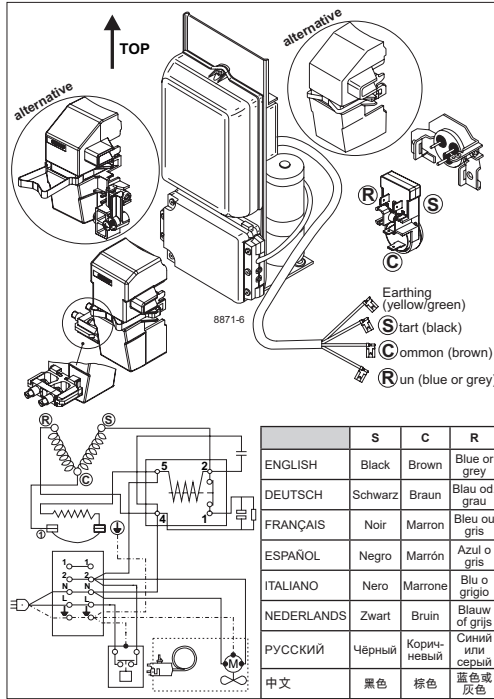
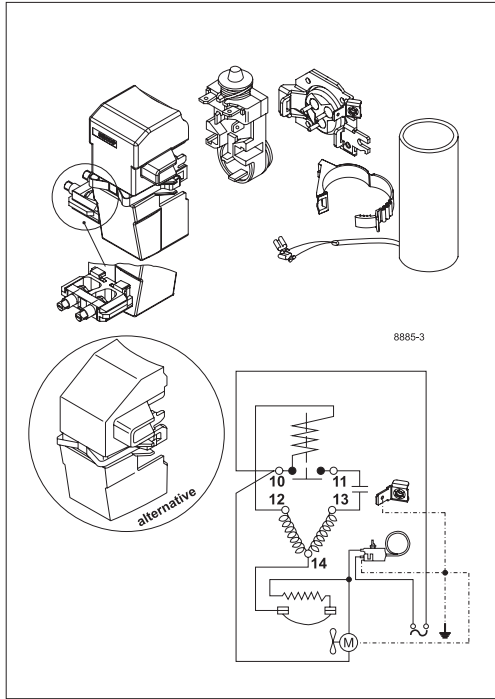
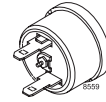
R290, 220V/50Hz, CSCR, fan 3m/s, VDE, CCC, EAC

	pe		Cooling capacity			COP	EER	P1	I	m	
	[°C]	[°F]	[W]	[Btu/h]	[kcal/h]	[W/W]	[Btu/Wh]	[kcal/Wh]	[W]	[A]	[kg/h]
[°C / °F]	-25	-13	897,3	3064	772,2	1,60	5,48	1,38	559,6	2,88	10,12
cond. pressure	-20	-4	1115,0	3808	959,6	1,81	6,18	1,56	615,8	3,11	12,63
pc= 45/113	-15	5	1358,3	4639	1169,0	2,02	6,91	1,74	671,1	3,34	15,45
return gas temp.	-10	14	1636,8	5590	1408,7	2,26	7,72	1,95	723,9	3,57	18,73
RGT= 32/90	-5	23	1960,1	6694	1686,9	2,54	8,66	2,18	773,2	3,79	22,57
liquid temp	0	32	2338,0	7985	2012,1	2,86	9,77	2,46	817,4	3,98	27,12
Tliq= 45/113	7,2	45	2997,5	10237	2579,7	3,45	11,77	2,97	869,6	4,22	35,22
[°C / °F]	-25	-13	739,2	2524	636,1	1,25	4,27	1,08	590,7	3,00	9,20
cond. pressure	-20	-4	945,1	3228	813,3	1,43	4,89	1,23	660,6	3,30	11,82
pc= 55/131	-15	5	1165,0	3979	1002,6	1,60	5,45	1,37	729,6	3,60	14,65
return gas temp	-10	14	1408,7	4811	1212,3	1,77	6,04	1,52	796,2	3,89	17,82
RGT= 32/90	-5	23	1685,6	5757	1450,7	1,96	6,70	1,69	859,2	4,17	21,47
liquid temp	0	32	2005,6	6850	1726,1	2,19	7,47	1,88	917,3	4,43	25,76
Tliq= 55/131	7,2	45	2561,5	8748	2204,5	2,59	8,84	2,23	989,4	4,76	33,37



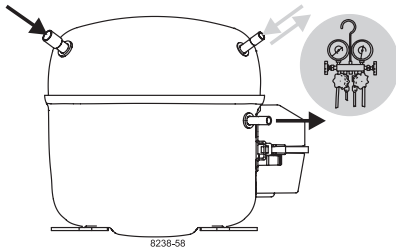
SCE Compressors

(External Protector)



	S	C	R
ENGLISH	Black	Brown	Blue or grey
DEUTSCH	Schwarz	Braun	Blau od. grau
FRANÇAIS	Noir	Marron	Bleu ou gris
ESPAÑOL	Negro	Marrón	Azul o gris
ITALIANO	Nero	Marrone	Blu o grigio
NEDERLANDS	Zwart	Bruin	Blauw of grijs
РУССКИЙ	Чёрный	Коричневый	Синий или серый
中文	黑色	棕色	蓝色或灰色

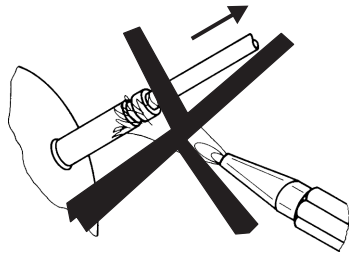
	S	C	R
ENGLISH	Black	Brown	Blue or grey
DEUTSCH	Schwarz	Braun	Blau od. grau
FRANÇAIS	Noir	Marron	Bleu ou gris
ESPAÑOL	Negro	Marrón	Azul o gris
ITALIANO	Nero	Marrone	Blu o grigio
NEDERLANDS	Zwart	Bruin	Blauw of grijs
РУССКИЙ	Чёрный	Коричневый	Синий или серый
中文	黑色	棕色	蓝色或灰色



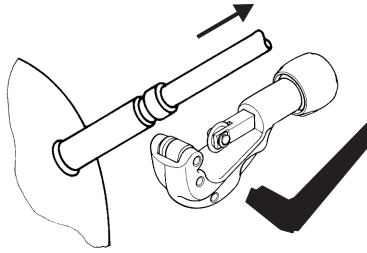
SCE Compressors (External Protector)



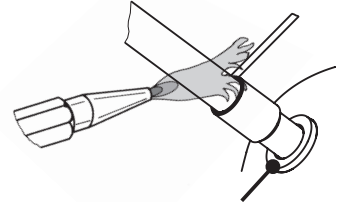
Service/Repair – R290



8545



Brazing on Suction Connectors (Direct Intake)



! max. 350°C/662°F !
at socket
brazing solder: phosphor (LP7) or silver

8882

Refer to Product Bulletin:
Brazing on Suction Connectors
(SCE Compressors with Direct Suction Intake)

Secop accepts no responsibility for possible errors in catalogs, brochures, and other printed material. Secop reserves the right to alter its products without notice. This also applies to products already on order provided that such alterations can be made without subsequential changes being necessary to specifications already agreed. All trademarks in this material are the property of the respective companies. Secop and the Secop logotype are trademarks of Secop GmbH. All rights reserved. www.secop.com