

Single Pack TL5G 220-240V 50Hz / 208-230V 60Hz RSIR

Single pack code number: **195B4455**

Position	Title	Code	Amount
1	Compressor TL5G	102G4550	1
2	PTC starting device (220V, 250hm, 6.3mm)	103N0011	1
3	Cord relief	103N1010	1
4	Cover	103N2010	1
5	Bolt joint for one compressor M6 ø16mm	118-1917	1

Secop GmbH • Lise-Meitner-Straße 29 • 24941 Flensburg, Germany • Tel: +49 461 4941 0 • www.secop.com

Secop accepts no responsibility for possible errors in catalogs, brochures, and other printed material. Secop reserves the right to alter its products without notice. This also applies to products already on order provided that such alterations can be made without subsequent changes being necessary to specifications already agreed. All trademarks in this material are the property of the respective companies. Secop and the Secop logotype are trademarks of Secop GmbH. All rights reserved.

Model

Designation	TL5G	220-240V/50Hz 1~ 208-230V/60Hz 1~	Sales code:	102G4550
-------------	-------------	-----------------------------------	-------------	-----------------

Compressor design

Oil type	Polyolester	Refrigerant(s)	R134a, R513A
Oil viscosity	15cST	Displacement	5,08cm ³ / 0,31cu.in
Oil quantity	285cm ³ / 9,7fl.oz	Compressors on pallet	125
Refr. charge - tech. limit	400g / 14,1oz		
Free gas volume comp.	1690cm ³ / 57,1fl.oz		
Weight	7,5kg / 16,5lbs		
Motor protection	1# internal		
Winding resistance main	14,5Ω (at 25°C)		
Winding resistance aux	14,8Ω (at 25°C)		
Max. winding temp.	125°C / 257°F		
Max. discharge temp.	130°C / 266°F		



General - Configurations with TL5G

	Conf. 1	Conf. 2	Conf. 3	Conf. 4	Conf. 5
Motorconfiguration	RSIR	CSIR	CSIR	CSIR	CSIR
Power supply (nominal)	220-240V/50Hz	220-240V/50Hz	208-230V/60Hz	220-240V/50Hz	208-230V/60Hz
Number of phases	1	1	1	1	1
Voltage range	187-254V	187-254V	198-254V	187-254V	198-253V
Approvals	VDE, CCC, EAC	VDE, CCC, EAC	VDE, CCC, EAC	VDE, CCC	VDE, CCC
Starting torque	LST	HST	HST	HST	HST
Note	- / -				

Applications with TL5G

	Conf. 1	Conf. 2	Conf. 3	Conf. 4	Conf. 5
Refrigerant	R134a	R134a	R134a	R513A	R513A
Application	LBP+MBP+HBP	LBP+MBP+HBP	LBP	LBP+MBP+HBP	LBP
System cooling	static	static	static	static	static
Hot gas defrost	OK	OK	OK	OK	OK
Long interval pull down	OK	OK	OK	OK	OK

Electrical data - Configurations with TL5G

	Conf. 1	Conf. 2	Conf. 3	Conf. 4	Conf. 5
Starting device type	PTC	relay	relay	relay	relay
Run capacitor	-/-	-/-	-/-	-/-	-/-
Start capacitor	-/-	60μF	60μF	60μF	60μF
LRA (locked rotor amps / 4s)	5,4A	5,7A	5,7A	5,7A	5,7A
RLA (rated load amps / 1s)	1,1A	1,1A	1,1A	1,1A	1,1A
Cut in current	9,7A	9,7A	9,7A	9,7A	9,7A

Model

Designation

TL5G

220-240V/50Hz 1~ 208-230V/60Hz 1~

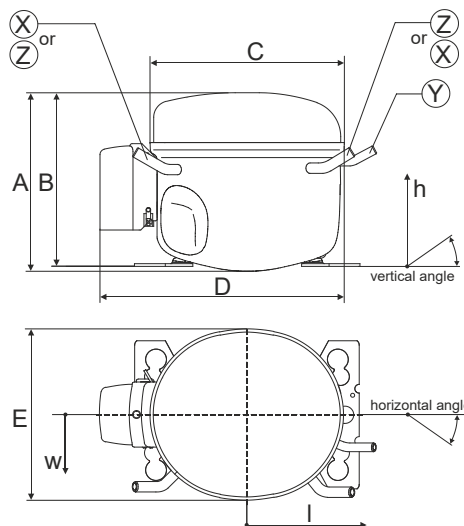
Sales code:

102G4550

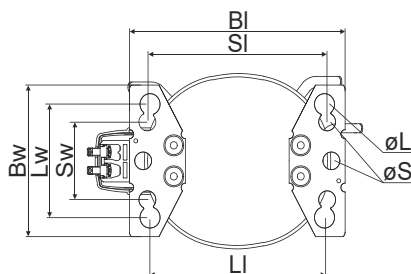
Compressor dimensions

Housing	A Height	174mm / 6,85in
	B Height	170mm / 6,69in
	C Length shell	176mm / 6,93in
	D Length w. cover	222mm / 8,74in
	E Width	157mm / 6,18in

Connectors		Suction	Discharge	Process
		X	Y	Z
Diameter	[mm]	øi 6,11-6,29	øi 5,12-5,22	øi 6,11-6,29
	(i:inside, o:outside) [in]	øi 0,24-0,25	øi 0,2-0,21	øi 0,24-0,25
Material		copper	copper	copper
Horizontal angle	±2°	0°	0°	0°
Vertical angle	±2°	150°	28°	31,5°
Position l/h/w	[mm]	-102/105/66	117/108/30	96/105/71
	[in]	-4/4,1/2,6	4,6/4,3/1,2	3,8/4,1/2,8
Straight tube l.	[mm]	12	12	12
	[in]	0,5	0,5	0,5



Compressor fixation

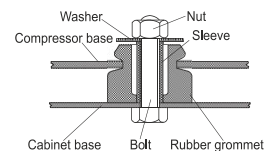


Baseplate	[mm]	[inch]
BI	204	8.03
Bw	136	5.35

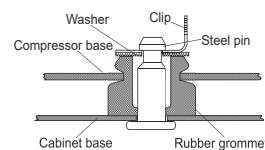
Large holes	[mm]	[inch]
LI	165	6.5
Lw	101.6	4
øL	ø 19	ø 0.75

Small holes	[mm]	[inch]
SI	170	6.7
Sw	70	2.76
øS	ø 16	ø 0.63

Bolt joint



Snap-on



Mounting accessories

	one comp.	multi pack
Bolt joint M6 ø16mm	118-1917	118-1918
Bolt joint ø1/4" ø16mm	118-1946	
Bolt joint ø1/4" ø19mm	118-1949	
Snap-on ø7,3 ø16mm	118-1947	118-1919

Model

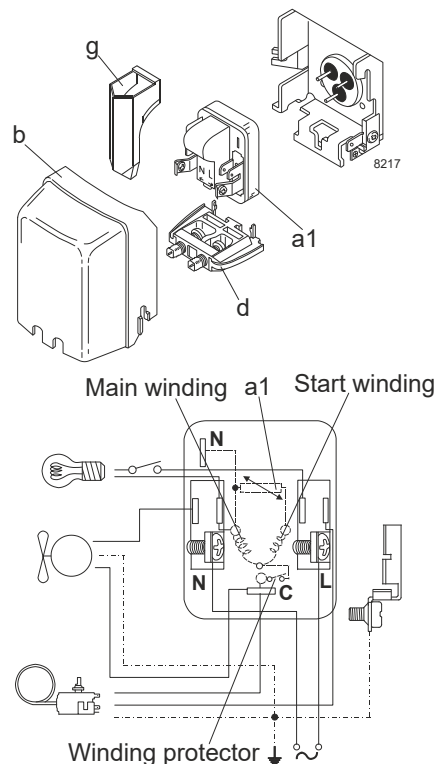
Designation	TL5G	220-240V/50Hz	Conf. 1	Sales code:	102G4550
-------------	-------------	----------------------	----------------	-------------	-----------------

Configuration

Motorconfiguration	RSIR
Power supply (nominal)	220-240V/50Hz 1~
Refrigerant	R134a
Application	LBP+MBP+HBP
Voltage range	187-254V
Starting torque	LST
Approvals	VDE CCC EAC

Electrical accessories / wiring diagram

RSIR

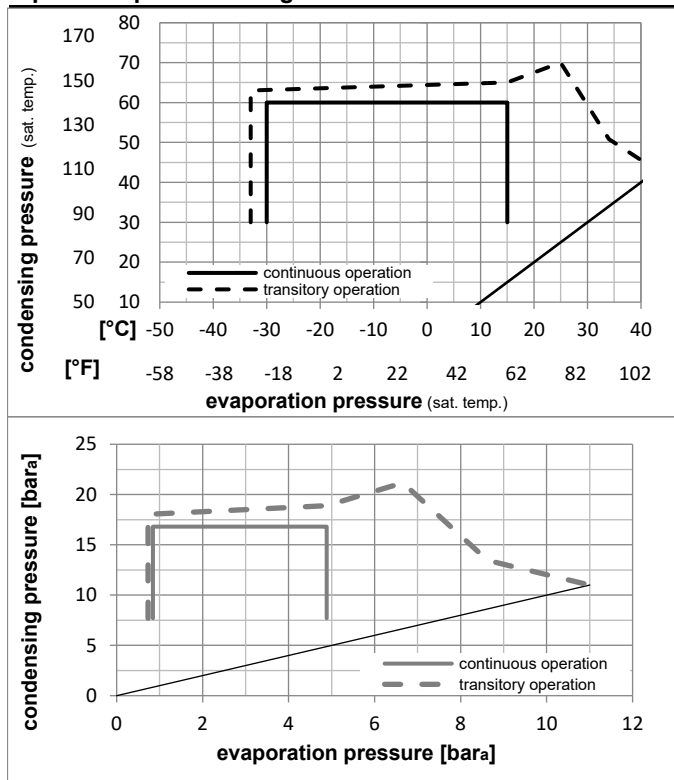


Ambient temperatures / system cooling

Ambient temperature min.:	10°C / 50°F
Ambient temperature max.:	43°C / 110°F

System cooling (n/a: outside limits)			
T ambient	LBP	MBP	HBP
32°C / 90°F	static	static	fan 3m/s
38°C / 100°F	static	static	fan 3m/s
43°C / 110°F	static	static	fan 3m/s

Operation pressure range



Components

a1	PTC starter (220V, 250hm, 4.8mm)	103N0018
b	plastic cover	103N2010
d	cord relief	103N1010
g	protection screen for PTC	103N0476

Alternative components

a1	PTC starter (220V, 250hm, 6.3mm)	103N0011
b	plastic cover	103N2011
d	cord relief	103N1010
g	protection screen for PTC	103N0476

Model

Designation **TL5G** **220-240V/50Hz** Conf. 1 Sales code: **102G4550**

Optimization + standard conditions

R134a, 220V/50Hz, RSIR, static, VDE, CCC, EAC

		Evaporating pressure (saturation temperature)				Condensing pressure (saturation temperature)			Return gas temp.			Liquid temp.			Cooling capacity			COP	EER	Power consumption			
		pe	pc	RGT	Tliq	[W]	[Btu/h]	[kcal/h]	[W/W]	[Btu/Wh]	[kcal/Wh]	P1	I	m	[W]	[A]	[kg/h]						
[°C]	[°F]	[°C]	[°F]	[°C]	[°F]													ASHRAE LBP					
-23	-10	54	130	32	90	108,5	371	93,4	1,03	3,53	0,89	105,1	0,98	2,11									
-25	-13	55	131	32	90	79,0	270	68,0	0,79	2,70	0,68	100,0	0,98	1,89									
-35	-31	40	104	20	68	53,6	183	46,2	0,74	2,52	0,64	72,6	0,96	1,18									
-7	20	54	130	35	95	230,4	787	198,3	1,43	4,90	1,23	160,6	1,13	5,03									
-10	14	55	131	32	90	178,3	609	153,5	1,19	4,07	1,03	149,5	1,09	4,31									
-10	14	45	113	20	68	200,4	684	172,4	1,42	4,86	1,23	140,7	1,05	4,69									

Performance tables

R134a, 220V/50Hz, RSIR, static, VDE, CCC, EAC

	pe		Cooling capacity			COP	EER	P1	I	m	
	[°C]	[°F]	[W]	[Btu/h]	[kcal/h]	[W/W]	[Btu/Wh]	[kcal/Wh]	[W]	[A]	[kg/h]
[°C / °F]	-30	-22	69,7	238	60,0	0,82	2,81	0,71	84,7	0,95	1,51
cond. pressure	-25	-13	95,2	325	81,9	0,97	3,32	0,84	98,0	0,97	2,06
pc= 45/113	-15	5	163,4	558	140,6	1,30	4,43	1,12	126,0	1,02	3,56
return gas temp.	-10	14	207,9	710	178,9	1,48	5,05	1,27	140,7	1,05	4,55
RGT= 32/90	0	32	322,3	1101	277,4	1,88	6,41	1,62	171,7	1,15	7,13
liquid temp	5	41	394,1	1346	339,1	2,10	7,16	1,80	187,9	1,21	8,77
Tliq= 45/113	15	59	571,5	1952	491,8	2,57	8,79	2,22	222,0	1,36	12,94
[°C / °F]	-30	-22	55,6	190	47,9	0,66	2,24	0,56	84,8	0,95	1,33
cond. pressure	-25	-13	79,0	270	68,0	0,79	2,70	0,68	100,0	0,98	1,89
pc= 55/131	-15	5	139,4	476	120,0	1,05	3,60	0,91	132,4	1,05	3,36
return gas temp	-10	14	178,3	609	153,5	1,19	4,07	1,03	149,5	1,09	4,31
RGT= 32/90	0	32	278,1	950	239,4	1,50	5,12	1,29	185,6	1,21	6,80
liquid temp	5	41	340,9	1164	293,4	1,67	5,69	1,43	204,7	1,28	8,40
Tliq= 55/131	15	59	496,9	1697	427,6	2,03	6,93	1,75	244,8	1,45	12,48

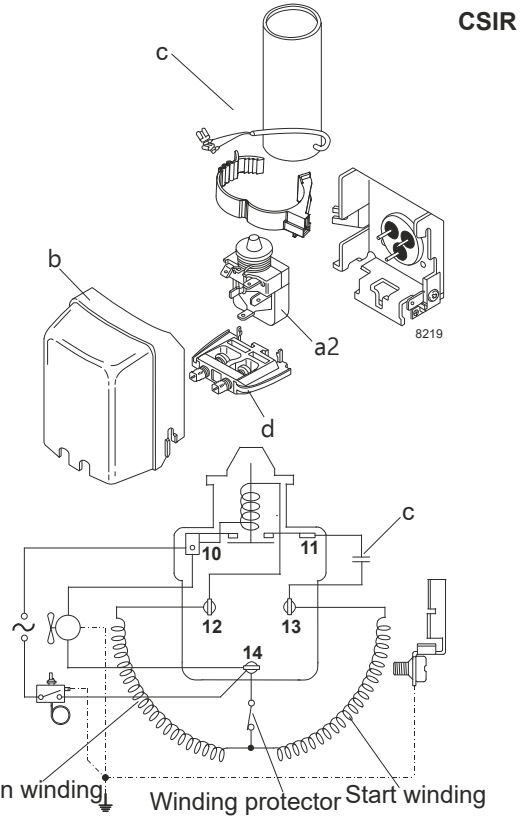
Model

Designation	TL5G	220-240V/50Hz	Conf. 2	Sales code:	102G4550
-------------	-------------	----------------------	----------------	-------------	-----------------

Configuration

Motorconfiguration	CSIR
Power supply (nominal)	220-240V/50Hz 1~
Refrigerant	R134a
Application	LBP+MBP+HBP
Voltage range	187-254V
Starting torque	HST
Approvals	VDE CCC EAC

Electrical accessories / wiring diagram

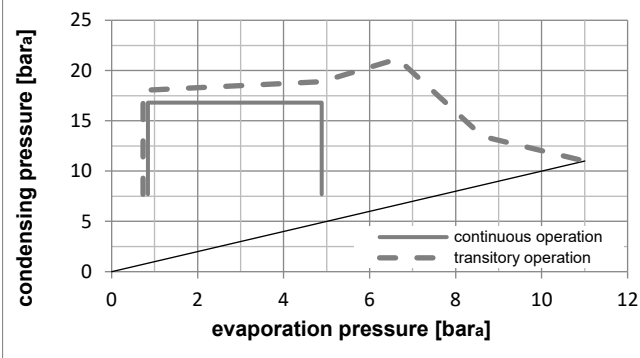
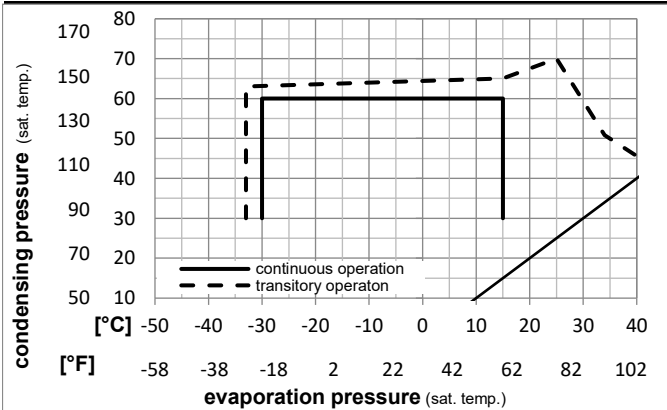


Ambient temperatures / system cooling

Ambient temperature min.:	10°C / 50°F
Ambient temperature max.:	43°C / 110°F

System cooling (n/a: outside limits)			
T ambient	LBP	MBP	HBP
32°C / 90°F	static	static	fan 3m/s
38°C / 100°F	static	static	fan 3m/s
43°C / 110°F	static	static	fan 3m/s

Operation pressure range



Components

a2	relay	117U6000
c	start capacitor (60μF)	117U5014
d	cord relief	103N1010
b	plastic cover	103N2010

Alternative components

b	plastic cover	103N2011
---	---------------	----------

Model

Designation **TL5G** **220-240V/50Hz** Conf. 2 Sales code: **102G4550**

Optimization + standard conditions

R134a, 220V/50Hz, CSIR, static, VDE, CCC, EAC

	Evaporating pressure (saturation temperature)				Condensing pressure (saturation temperature)			Return gas temp.	Liquid temp.	Cooling capacity	COP	EER	Power consumption			Ref. mass flow
	pe	pc	RGT	Tliq	[W]	[Btu/h]	[kcal/h]						P1	I	m	
[°C]																
[°F]																
	-23	54	32	32	108,5	371	93,4	1,03	3,53	0,89	105,1	0,98	2,11	ASHRAE LBP		
	-10	130	90	90												
	-25	55	32	55	79,0	270	68,0	0,79	2,70	0,68	100,0	0,98	1,89	cecomaf LBP		
	-13	131	90	131												
	-35	40	20	40	53,6	183	46,2	0,74	2,52	0,64	72,6	0,96	1,18	EN12900 LBP		
	-31	104	68	104												
	-7	54	35	46	230,4	787	198,3	1,43	4,90	1,23	160,6	1,13	5,03	ASHRAE MBP		
	20	130	95	115												
	-10	55	32	55	178,3	609	153,5	1,19	4,07	1,03	149,5	1,09	4,31	cecomaf MBP		
	14	131	90	131												
	-10	45	20	45	200,4	684	172,4	1,42	4,86	1,23	140,7	1,05	4,69	EN12900 MBP		
	14	113	68	113												

Performance tables

R134a, 220V/50Hz, CSIR, static, VDE, CCC, EAC

	pe		Cooling capacity			COP	EER	P1	I	m	
	[°C]	[°F]	[W]	[Btu/h]	[kcal/h]	[W/W]	[Btu/Wh]	[kcal/Wh]	[W]	[A]	[kg/h]
[°C / °F]	-30	-22	69,7	238	60,0	0,82	2,81	0,71	84,7	0,95	1,51
cond. pressure	-25	-13	95,2	325	81,9	0,97	3,32	0,84	98,0	0,97	2,06
pc= 45/113	-15	5	163,4	558	140,6	1,30	4,43	1,12	126,0	1,02	3,56
return gas temp.	-10	14	207,9	710	178,9	1,48	5,05	1,27	140,7	1,05	4,55
RGT= 32/90	0	32	322,3	1101	277,4	1,88	6,41	1,62	171,7	1,15	7,13
liquid temp	5	41	394,1	1346	339,1	2,10	7,16	1,80	187,9	1,21	8,77
Tliq= 45/113	15	59	571,5	1952	491,8	2,57	8,79	2,22	222,0	1,36	12,94
[°C / °F]	-30	-22	55,6	190	47,9	0,66	2,24	0,56	84,8	0,95	1,33
cond. pressure	-25	-13	79,0	270	68,0	0,79	2,70	0,68	100,0	0,98	1,89
pc= 55/131	-15	5	139,4	476	120,0	1,05	3,60	0,91	132,4	1,05	3,36
return gas temp	-10	14	178,3	609	153,5	1,19	4,07	1,03	149,5	1,09	4,31
RGT= 32/90	0	32	278,1	950	239,4	1,50	5,12	1,29	185,6	1,21	6,80
liquid temp	5	41	340,9	1164	293,4	1,67	5,69	1,43	204,7	1,28	8,40
Tliq= 55/131	15	59	496,9	1697	427,6	2,03	6,93	1,75	244,8	1,45	12,48

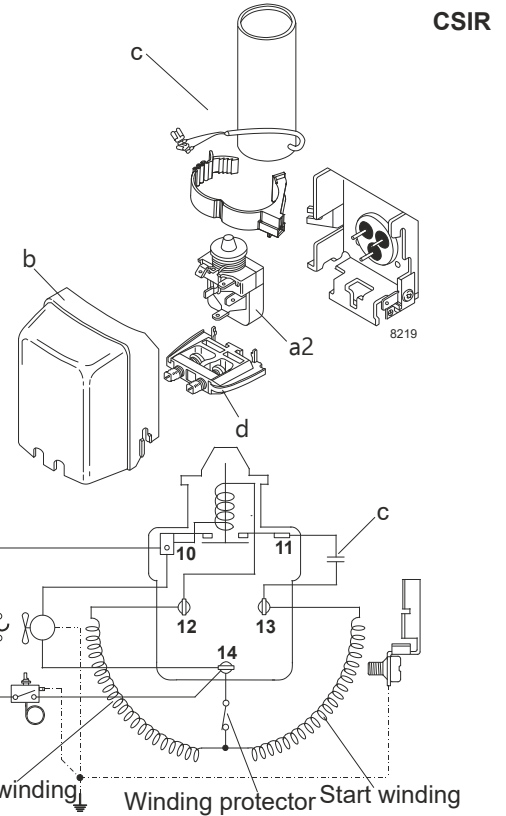
Model

Designation	TL5G	208-230V/60Hz	Conf. 3	Sales code:	102G4550
-------------	-------------	----------------------	----------------	-------------	-----------------

Configuration

Motorconfiguration	CSIR
Power supply (nominal)	208-230V/60Hz 1~
Refrigerant	R134a
Application	LBP
Voltage range	198-254V
Starting torque	HST
Approvals	VDE CCC EAC

Electrical accessories / wiring diagram

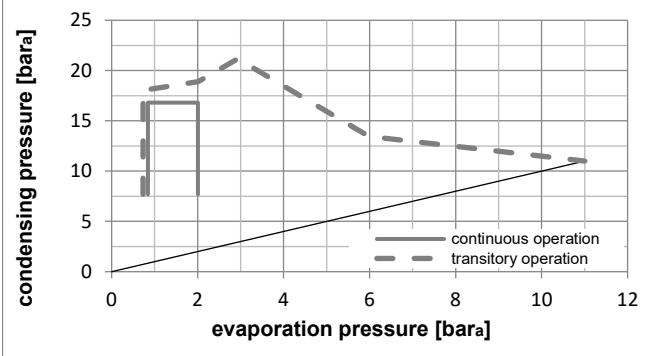
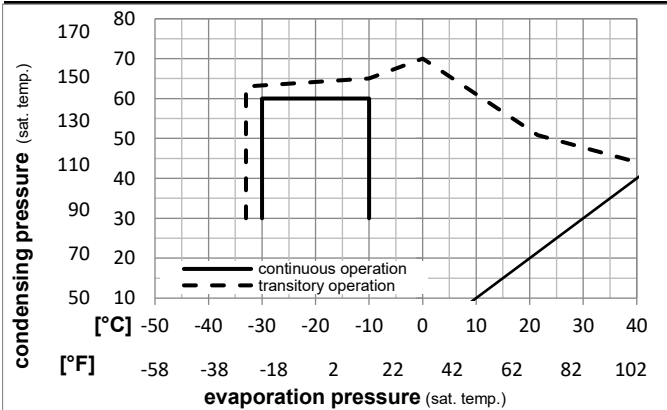


Ambient temperatures / system cooling

Ambient temperature min.:	10°C / 50°F
Ambient temperature max.:	43°C / 110°F

System cooling (n/a: outside limits)			
T ambient	LBP	MBP	HBP
32°C / 90°F	static	n/a	n/a
38°C / 100°F	static	n/a	n/a
43°C / 110°F	static	n/a	n/a

Operation pressure range



Components

a2	relay	117U6000
c	start capacitor (60μF)	117U5014
d	cord relief	103N1010
b	plastic cover	103N2010

Alternative components

b	plastic cover	103N2011
---	---------------	----------

Model

Designation	TL5G	208-230V/60Hz	Conf. 3	Sales code:	102G4550
-------------	-------------	----------------------	----------------	-------------	-----------------

Optimization + standard conditions

R134a, 230V/60Hz, CSIR, static, VDE, CCC, EAC

	Evaporating pressure (saturation temperature)				Condensing pressure (saturation temperature)			Return gas temp.	Liquid temp.	Cooling capacity	COP	EER	Power consumption			Ref. mass flow
	pe	pc	RGT	Tliq	[W]	[Btu/h]	[kcal/h]						P1	I	m	
[°C]	[°C]	[°C]	[°C]	[W]	[Btu/h]	[kcal/h]	[W/W]	[Btu/Wh]	[kcal/Wh]	[W]	[A]	[kg/h]				
[°F]	[°F]	[°F]	[°F]	[W]	[Btu/h]	[kcal/h]	[W/W]	[Btu/Wh]	[kcal/Wh]	[W]	[A]	[kg/h]	ASHRAE LBP			
-23	54	32	32	125,8	429	108,2	1,12	3,84	0,97	111,9	0,90	2,44				
-10	130	90	90													
-25	55	32	55	91,5	312	78,7	0,87	2,95	0,74	105,7	0,88	2,19	cecomaf LBP			
-13	131	90	131													
-35	40	20	40	64,1	219	55,1	0,85	2,90	0,73	75,5	0,81	1,41	EN12900 LBP			
-31	104	68	104													
-7	54	35	46	267,0	912	229,8	1,45	4,94	1,24	184,8	1,13	5,83	ASHRAE MBP			
20	130	95	115													
-10	55	32	55	206,8	706	178,0	1,22	4,16	1,05	169,8	1,08	5,00	cecomaf MBP			
14	131	90	131													
-10	45	20	45	230,7	788	198,5	1,45	4,95	1,25	159,2	1,04	5,40	EN12900 MBP			
14	113	68	113													

Performance tables

R134a, 230V/60Hz, CSIR, static, VDE, CCC, EAC

	pe		Cooling capacity			COP	EER	P1	I	m	
	[°C]	[°F]	[W]	[Btu/h]	[kcal/h]	[W/W]	[Btu/Wh]	[kcal/Wh]	[W]	[A]	[kg/h]
[°C / °F]	-30	-22	82,5	282	71,0	0,93	3,16	0,80	89,1	0,84	1,78
cond. pressure	-25	-13	111,9	382	96,3	1,06	3,64	0,92	105,1	0,87	2,43
pc= 45/113	-23	-10	123,3	421	106,1	1,11	3,79	0,96	110,9	0,89	2,67
return gas temp.	-20	-4	147,3	503	126,8	1,20	4,10	1,03	122,6	0,92	3,20
RGT= 32/90	-18	0	165,0	564	142,0	1,26	4,32	1,09	130,6	0,95	3,59
liquid temp	-15	5	189,5	647	163,1	1,35	4,60	1,16	140,8	0,98	4,13
Tliq= 45/113	-10	14	239,3	817	206,0	1,50	5,13	1,29	159,2	1,04	5,24
[°C / °F]	-30	-22	64,7	221	55,7	0,73	2,49	0,63	88,7	0,83	1,54
cond. pressure	-25	-13	91,5	312	78,7	0,87	2,95	0,74	105,7	0,88	2,19
pc= 55/131	-23	-10	101,7	347	87,5	0,91	3,10	0,78	112,1	0,90	2,43
return gas temp	-20	-4	123,5	422	106,3	0,99	3,36	0,85	125,3	0,94	2,96
RGT= 32/90	-18	0	139,5	476	120,0	1,04	3,54	0,89	134,6	0,97	3,35
liquid temp	-15	5	161,6	552	139,1	1,10	3,76	0,95	146,9	1,01	3,89
Tliq= 55/131	-10	14	206,8	706	178,0	1,22	4,16	1,05	169,8	1,08	5,00

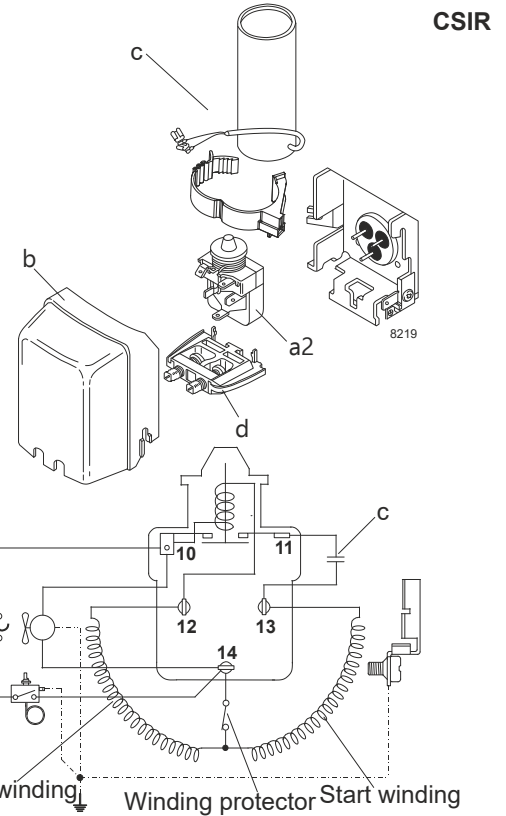
Model

Designation	TL5G	220-240V/50Hz	Conf. 4	Sales code:	102G4550
-------------	-------------	----------------------	----------------	-------------	-----------------

Configuration

Motorconfiguration	CSIR
Power supply (nominal)	220-240V/50Hz 1~
Refrigerant	R513A
Application	LBP+MBP+HBP
Voltage range	187-254V
Starting torque	HST
Approvals	VDE CCC

Electrical accessories / wiring diagram

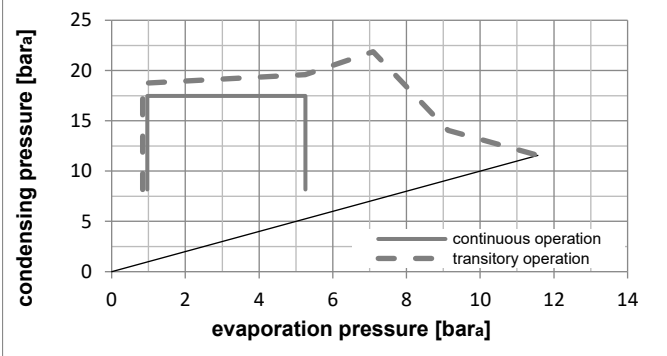
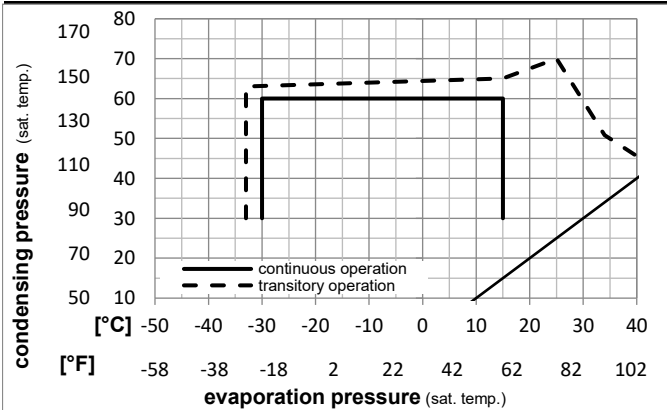


Ambient temperatures / system cooling

Ambient temperature min.:	10°C / 50°F
Ambient temperature max.:	43°C / 110°F

System cooling (n/a: outside limits)			
T ambient	LBP	MBP	HBP
32°C / 90°F	static	static	fan 3m/s
38°C / 100°F	static	static	fan 3m/s
43°C / 110°F	static	static	fan 3m/s

Operation pressure range



Components

a2	relay	117U6000
c	start capacitor (60μF)	117U5014
d	cord relief	103N1010
b	plastic cover	103N2010

Alternative components

b	plastic cover	103N2011
---	---------------	----------

Model

Designation **TL5G** **220-240V/50Hz** Conf. 4 Sales code: **102G4550**

Optimization + standard conditions

R513A, 220V/50Hz, CSIR, static, VDE, CCC

	Evaporating pressure (saturation temperature)				Cooling capacity			COP	EER	P1	Power consumption		Ref. mass flow	
	pe	pc	RGT	Tliq	[W]	[Btu/h]	[kcal/h]				l	m		
[°C]	[°C]	[°C]	[°C]	[W]	[Btu/h]	[kcal/h]	[W/W]	[Btu/Wh]	[kcal/Wh]	[W]	[A]	[kg/h]		
ASHRAE LBP	-23	54	32	32	120,9	413	104,1	1,06	3,62	0,91	113,9	1,00	2,60	
	[°F]													
	-10	130	90	90										
cecomaf LBP	-25	55	32	55	85,8	293	73,9	0,79	2,69	0,68	108,9	0,99	2,35	
	[°F]													
	-13	131	90	131										
EN12900 LBP	-35	40	20	40	60,7	207	52,2	0,75	2,58	0,65	80,4	0,90	1,50	
	[°F]													
	-31	104	68	104										
ASHRAE MBP	-7	54	35	46	242,4	828	208,6	1,42	4,87	1,23	170,1	1,17	5,94	
	[°F]													
	20	130	95	115										
cecomaf MBP	-10	55	32	55	185,4	633	159,6	1,17	3,99	1,00	158,9	1,14	5,13	
	[°F]													
	14	131	90	131										
EN12900 MBP	-10	45	20	45	209,8	716	180,5	1,41	4,81	1,21	149,0	1,11	5,56	
	[°F]													
	14	113	68	113										

Performance tables

R513A, 220V/50Hz, CSIR, static, VDE, CCC

	pe		Cooling capacity			COP	EER	P1	l	m	
	[°C]	[°F]	[W]	[Btu/h]	[kcal/h]						
[°C / °F]	-30	-22	77,7	265	66,8	0,84	2,86	0,72	92,7	0,94	1,89
cond. pressure	-25	-13	104,2	356	89,7	0,98	3,36	0,85	105,9	0,98	2,54
pc= 45/113	-15	5	174,2	595	149,9	1,30	4,44	1,12	134,1	1,06	4,27
return gas temp.	-10	14	219,4	749	188,8	1,47	5,03	1,27	149,0	1,11	5,39
RGT= 32/90	0	32	334,6	1143	287,9	1,86	6,34	1,60	180,3	1,20	8,30
liquid temp	5	41	406,3	1387	349,6	2,07	7,06	1,78	196,6	1,25	10,13
Tliq= 45/113	15	59	582,3	1989	501,2	2,53	8,64	2,18	230,3	1,35	14,73
[°C / °F]	-30	-22	62,0	212	53,4	0,66	2,26	0,57	93,7	0,94	1,69
cond. pressure	-25	-13	85,8	293	73,9	0,79	2,69	0,68	108,9	0,99	2,35
pc= 55/131	-15	5	146,7	501	126,2	1,04	3,54	0,89	141,6	1,08	4,04
return gas temp	-10	14	185,4	633	159,6	1,17	3,99	1,00	158,9	1,14	5,13
RGT= 32/90	0	32	284,1	970	244,5	1,45	4,97	1,25	195,3	1,25	7,93
liquid temp	5	41	345,7	1181	297,5	1,61	5,51	1,39	214,4	1,30	9,71
Tliq= 55/131	15	59	497,8	1700	428,4	1,96	6,69	1,69	254,0	1,42	14,22

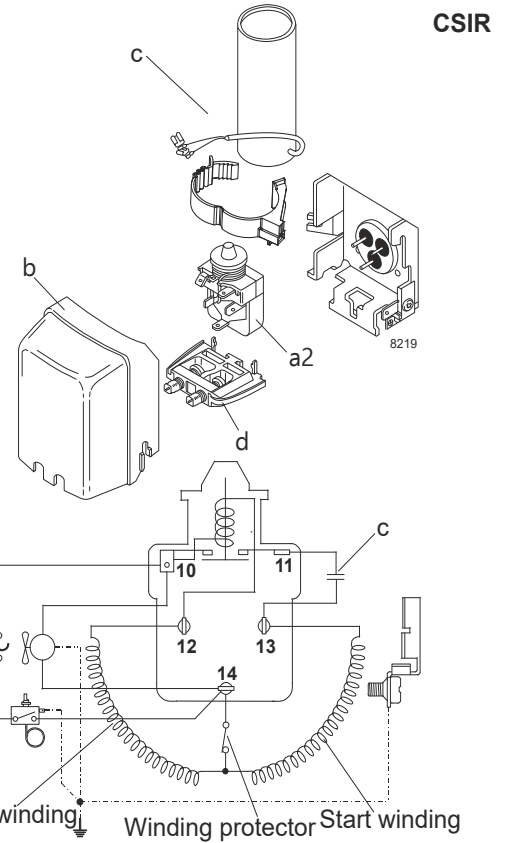
Model

Designation	TL5G	208-230V/60Hz	Conf. 5	Sales code:	102G4550
-------------	-------------	----------------------	----------------	-------------	-----------------

Configuration

Motorconfiguration	CSIR
Power supply (nominal)	208-230V/60Hz 1~
Refrigerant	R513A
Application	LBP
Voltage range	198-253V
Starting torque	HST
Approvals	VDE CCC

Electrical accessories / wiring diagram

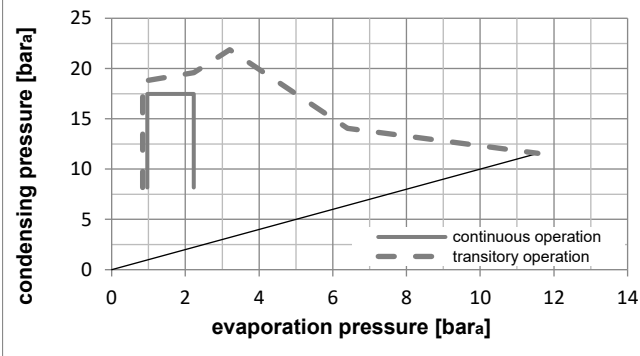
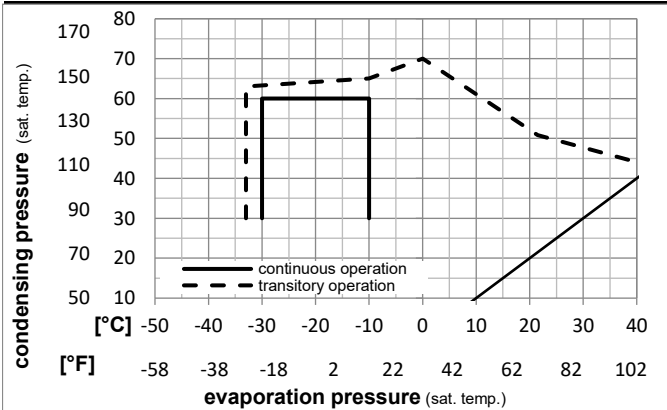


Ambient temperatures / system cooling

Ambient temperature min.:	10°C / 50°F
Ambient temperature max.:	43°C / 110°F

System cooling (n/a: outside limits)			
T ambient	LBP	MBP	HBP
32°C / 90°F	static	n/a	n/a
38°C / 100°F	static	n/a	n/a
43°C / 110°F	static	n/a	n/a

Operation pressure range



Components

a2	relay	117U6000
c	start capacitor (60μF)	117U5014
d	cord relief	103N1010
b	plastic cover	103N2010

Alternative components

b	plastic cover	103N2011
---	---------------	----------

Model

Designation	TL5G	208-230V/60Hz	Conf. 5	Sales code:	102G4550
-------------	-------------	----------------------	----------------	-------------	-----------------

Optimization + standard conditions

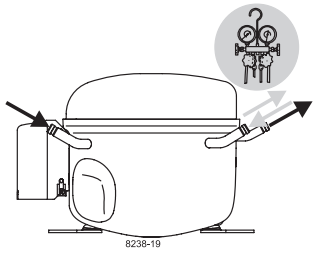
R513A, 230V/60Hz, CSIR, static, VDE, CCC

	Evaporating pressure (saturation temperature)				Condensing pressure (saturation temperature)			Return gas temp.	Liquid temp.	Cooling capacity	COP	EER	Power consumption			Ref. mass flow
	pe	pc	RGT	Tliq	[W]	[Btu/h]	[kcal/h]						P1	I	m	
[°C]																
[°F]																
	-23	54	32	32	140,1	479	120,6	1,14	3,91	0,98	122,5	0,94	3,02	ASHRAE LBP		
	-10	130	90	90												
	-25	55	32	55	99,3	339	85,5	0,86	2,92	0,74	116,2	0,92	2,72	cecomaf LBP		
	-13	131	90	131												
	-35	40	20	40	72,4	247	62,3	0,87	2,97	0,75	83,4	0,79	1,79	EN12900 LBP		
	-31	104	68	104												
	-7	54	35	46	280,7	959	241,6	1,43	4,87	1,23	196,8	1,23	6,88	ASHRAE MBP		
	20	130	95	115												
	-10	55	32	55	215,1	734	185,1	1,18	4,04	1,02	181,7	1,17	5,95	cecomaf MBP		
	14	131	90	131												
	-10	45	20	45	241,5	825	207,9	1,42	4,86	1,22	169,8	1,13	6,40	EN12900 MBP		
	14	113	68	113												

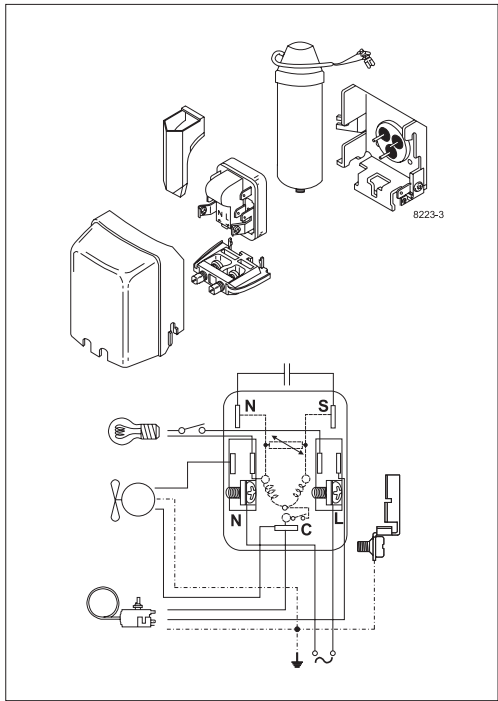
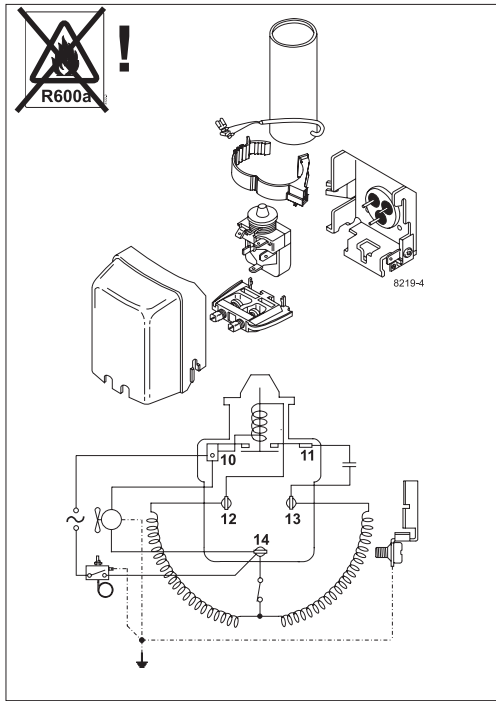
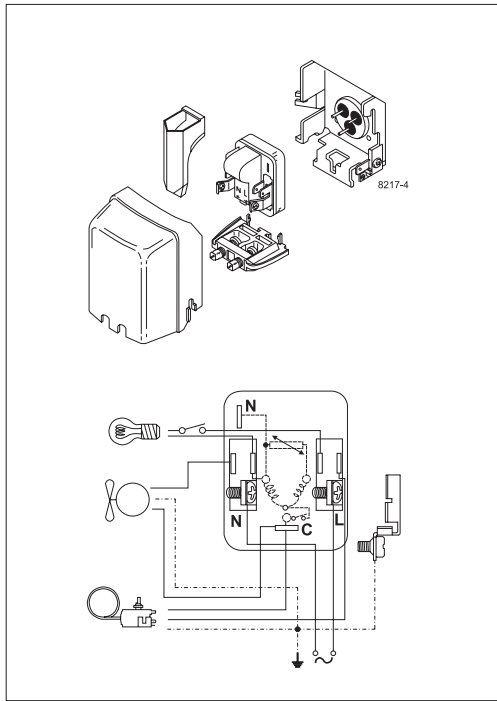
Performance tables

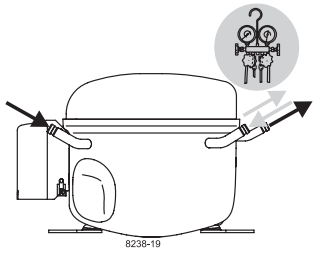
R513A, 230V/60Hz, CSIR, static, VDE, CCC

	pe		Cooling capacity			COP	EER	P1	I	m	
	[°C]	[°F]	[W]	[Btu/h]	[kcal/h]	[W/W]	[Btu/Wh]	[kcal/Wh]	[W]	[A]	[kg/h]
[°C / °F]	-30	-22	91,9	314	79,1	0,94	3,20	0,81	97,9	0,84	2,23
cond. pressure	-25	-13	122,5	418	105,4	1,07	3,65	0,92	114,5	0,91	2,98
pc= 45/113	-23	-10	134,2	458	115,5	1,11	3,80	0,96	120,5	0,93	3,27
return gas temp.	-20	-4	158,9	543	136,8	1,20	4,10	1,03	132,5	0,98	3,88
RGT= 32/90	-18	0	177,0	605	152,3	1,26	4,30	1,08	140,6	1,01	4,33
liquid temp	-15	5	202,0	690	173,9	1,34	4,57	1,15	151,1	1,05	4,95
Tliq= 45/113	-10	14	252,6	863	217,4	1,49	5,08	1,28	169,8	1,13	6,21
[°C / °F]	-30	-22	72,0	246	62,0	0,73	2,50	0,63	98,6	0,85	1,97
cond. pressure	-25	-13	99,3	339	85,5	0,86	2,92	0,74	116,2	0,92	2,72
pc= 55/131	-23	-10	109,7	375	94,4	0,89	3,05	0,77	122,8	0,94	3,01
return gas temp	-20	-4	131,7	450	113,4	0,97	3,30	0,83	136,3	0,99	3,62
RGT= 32/90	-18	0	147,8	505	127,2	1,01	3,46	0,87	145,8	1,03	4,06
liquid temp	-15	5	170,0	581	146,3	1,07	3,67	0,92	158,4	1,08	4,68
Tliq= 55/131	-10	14	215,1	734	185,1	1,18	4,04	1,02	181,7	1,17	5,95

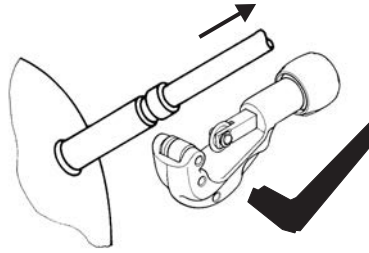
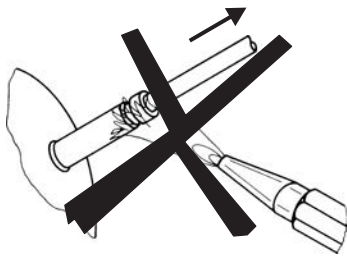


TL Compressors





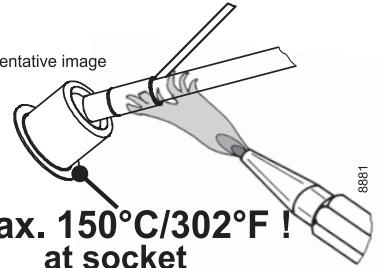
Service/Repair – R600a, R290



8545

Brazing on Suction Connectors (Direct Intake)

representative image



**! max. 150°C/302°F !
at socket**
brazing solder: phosphor (LP7) or silver

Refer to Product Bulletin:
**Brazing on Suction Connectors
(Compressors with Direct Suction Intake)**

Secop accepts no responsibility for possible errors in catalogs, brochures, and other printed material. Secop reserves the right to alter its products without notice. This also applies to products already on order provided that such alterations can be made without subsequential changes being necessary to specifications already agreed. All trademarks in this material are the property of the respective companies. Secop and the Secop logotype are trademarks of Secop GmbH. All rights reserved. www.secop.com