

Single Pack PL50F 115V 60Hz CSIR

Single pack code number: **195B4467**

Position	Title	Code	Amount
1	Compressor PL50F	101G9202	1
2	Starting relay	117U6000	1
3	Starting capacitor (80 μ F 220V, 6.3mm)	117U5015	1
4	Cord relief	103N1010	1
5	Cover	103N0492	1
6	Bolt joint for one compressor M6 \varnothing 16mm	118-1917	1

Secop GmbH • Lise-Meitner-Straße 29 • 24941 Flensburg, Germany • Tel: +49 461 4941 0 • www.secop.com

Secop accepts no responsibility for possible errors in catalogs, brochures, and other printed material. Secop reserves the right to alter its products without notice. This also applies to products already on order provided that such alterations can be made without subsequent changes being necessary to specifications already agreed. All trademarks in this material are the property of the respective companies. Secop and the Secop logotype are trademarks of Secop GmbH. All rights reserved.

PL50F Standard Compressor R134a 115V 60Hz

General

Code number	101G9202
Approvals	UL984
Compressors on pallet	150

Application

Application	LBP/MBP	
Frequency	Hz	50 60
Evaporating temperature	°F	– -13 to 32
Voltage range	V	– 103 - 127
Max. condensing temperature continuous (short)	°F	– 122 (140)
Max. winding temperature continuous (short)	°F	– 257 (275)

Cooling requirements

Frequency	Hz	50			60		
Application		LBP	MBP	HBP	LBP	MBP	HBP
90°F		–	–	–	S	S	–
100°F		–	–	–	S	S	–
110°F		–	–	–	S	S	–
Remarks on application:							

Motor

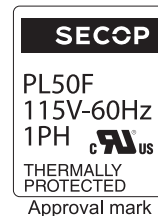
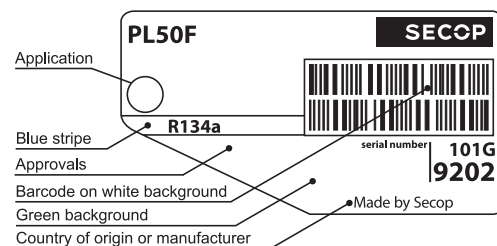
Motor type	RSIR/CSIR	
LRA (rated after 4 sec. UL984), HST LST	A	6.1 9.5
Cut in Current, HST LST	A	6.1 9.5
Resistance, main start winding (77°F)	Ω	7.6 13.6

Design

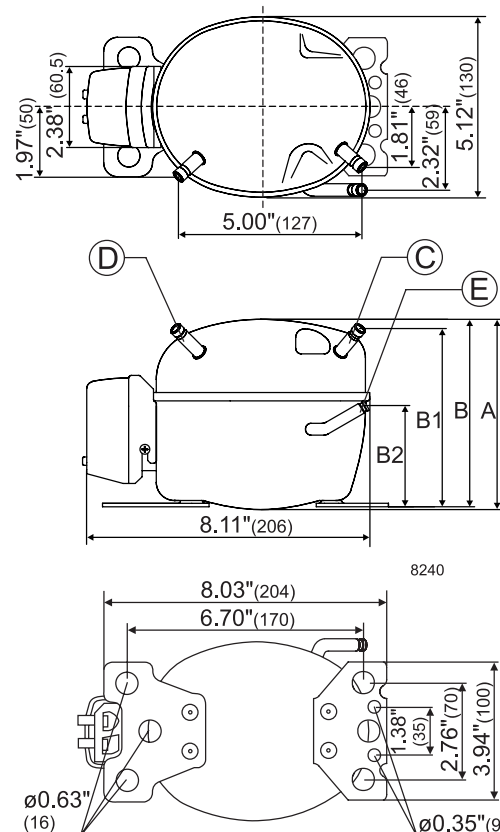
Displacement	cu.in	0.12
Oil quantity (type)	fl.oz.	5.1 (polyolester)
Maximum refrigerant charge	oz.	10.5
Free gas volume in compressor	fl.oz.	28.9
Weight without electrical equipment	lbs.	9.5

Dimensions

Height	inch	A	5.28
		B	5.20
		B1	4.88
		B2	2.87
Suction connector	location, I.D. in. angle	C	0.252-0.259 40°
	material comment		Cu-plated steel Al cap
Process connector	location, I.D. in. angle	D	0.252-0.259 45°
	material comment		Cu-plated steel Al cap
Discharge connector	location, I.D. in. angle	E	0.202-0.205 21°
	material comment		Cu-plated steel Al cap
Oil cooler connector	location, I.D. in. angle	F	–
	material comment		–
Remarks:			



- S = Static cooling normally sufficient
- O = Oil cooling
- F₁ = Fan cooling 1.5 m/s
(compressor compartment temperature equal to ambient temperature)
- F₂ = Fan cooling 3.0 m/s necessary
- SG = Suction gas cooling normally sufficient
- = not applicable in this area



ASHRAE LBP

115V, 60Hz, static cooling, PTC consumption incl.

Evap. temp. in °F	-49	-40	-30	-20	-13	-10	0	10	14	20	30	32	41	45	50	59	68
Capacity in BTU/h					155	175	249	335	374	437	557	584					
Power cons. in W					62.3	65.0	73.2	80.9	84	88.5	96.2	97.8					
Current cons. in A					1.12	1.13	1.18	1.22	1.24	1.27	1.33	1.34					
EER in BTU/Wh					2.49	2.70	3.39	4.14	4.45	4.94	5.79	5.97					

ASHRAE MBP

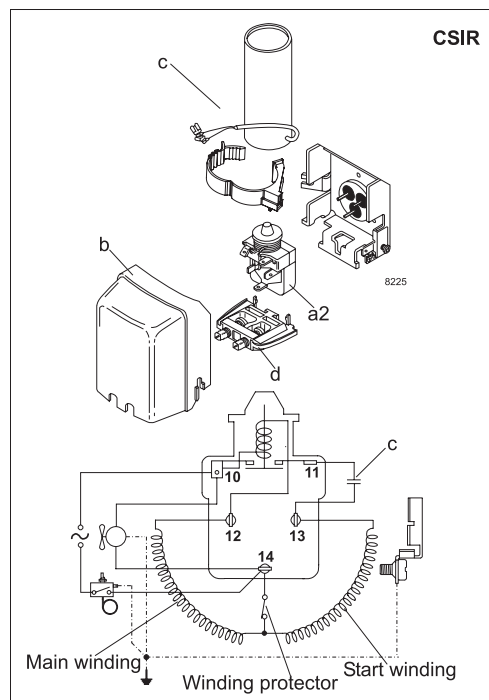
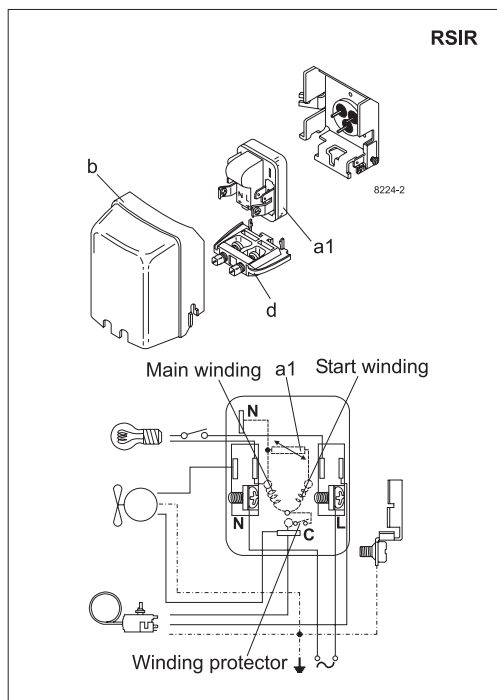
115V, 60Hz, static cooling, PTC consumption incl.

Evap. temp. in °F	-49	-40	-30	-20	-13	-10	0	10	14	20	30	32	41	45	50	59	68
Capacity in BTU/h					138	156	221	299	333	388	494	518					
Power cons. in W					62.3	65.0	73.2	80.9	84	88.5	96.2	97.8					
Current cons. in A					1.12	1.13	1.18	1.22	1.24	1.27	1.33	1.34					
EER in BTU/Wh					2.21	2.40	3.02	3.69	3.97	4.38	5.14	5.29					

EN 12900 Household (CECOMAF)

115V, 60Hz, static cooling, PTC consumption incl.

Evap. temp. in °F	-49	-40	-30	-20	-13	-10	0	10	14	20	30	32	41	45	50	59	68
Capacity in W					36.8	41.5	58.9	79.3	88	103	132	138					
Power cons. in W					62.3	65.0	73.2	80.9	84	88.5	96.2	97.8					
Current cons. in A					1.12	1.13	1.18	1.22	1.24	1.27	1.33	1.34					
COP in W/W					0.59	0.64	0.80	0.98	1.05	1.17	1.37	1.41					

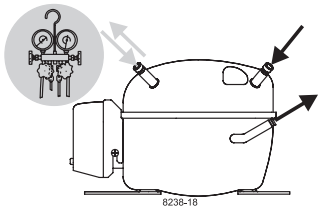


Accessories for	PL50F	Figure	Code number
PTC starting device	1/4 in. spade connect.	a1	103N0026
	3/16 in. spade connect.		103N0023
Starting relay	1/4 in. spade connect.	a2	117U6000
Cover		b	103N0492
Start. capacitor 80 µF	1/4 in. spade connect.	c	117U5015
Cord relief		d	103N1010

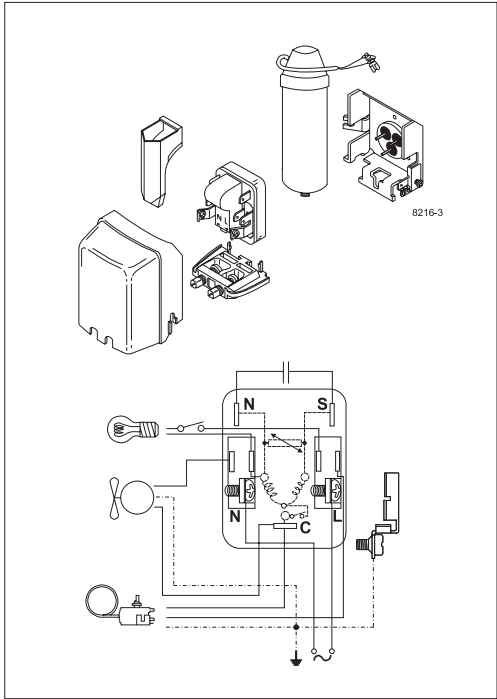
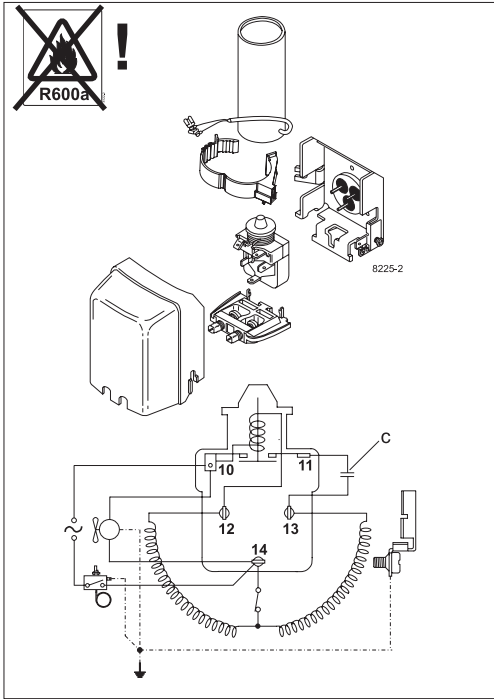
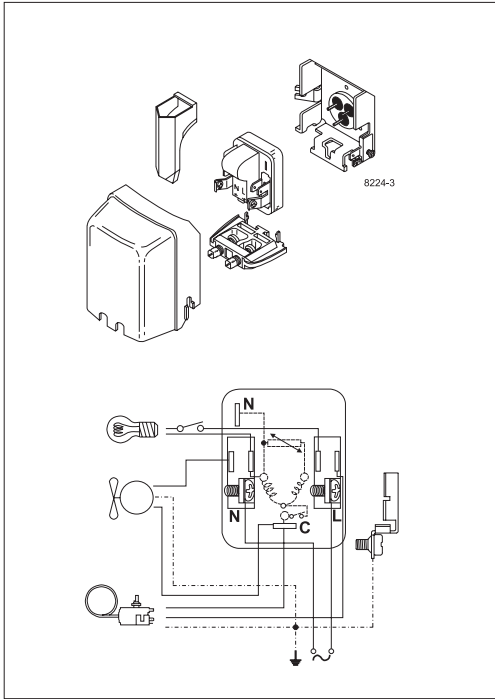
Test conditions	ASHRAE MBP	ASHRAE LBP*	EN 12900/CECOMAF
Condensing temp.	130°F	130°F	131°F
Ambient temp.	95°F	90°F	90°F
Suction gas temp	95°F	90°F	90°F
Liquid temperature	115°F	90°F	131°F

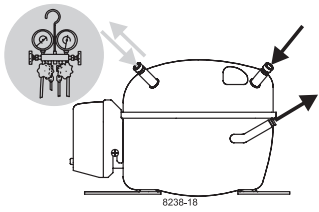
Mounting accessories	Code number
Bolt joint for one comp. Ø: 5/8 in.	118-1917
Bolt joint in quantities Ø: 5/8 in.	118-1918
Snap-on in quantities Ø: 5/8 in.	118-1919

Secop accepts no responsibility for possible errors in catalogs, brochures, and other printed material. Secop reserves the right to alter its products without notice. This also applies to products already on order provided that such alterations can be made without consequential changes being necessary to specifications already agreed. All trademarks in this material are the property of the respective companies. Secop and the Secop logotype are trademarks of Secop GmbH. All rights reserved. www.secop.com



PL Compressors





PL Compressors

Service/Repair – R600a



8545



Secop accepts no responsibility for possible errors in catalogs, brochures, and other printed material. Secop reserves the right to alter its products without notice. This also applies to products already on order provided that such alterations can be made without subsequential changes being necessary to specifications already agreed. All trademarks in this material are the property of the respective companies. Secop and the Secop logotype are trademarks of Secop GmbH. All rights reserved. www.secop.com